



ANATECH ELECTRONICS INC
RF & Microwave Filters & Products

30 MHz LC Band Pass Filter

Part Number: AE30B6353



Electrical Specifications

Center Frequency: 30 MHz
3.0dB Bandwidth: 10 MHz Min.
Insertion Loss: 4.0dB Max.
Return Loss: 14dB Min.
Rejection: $\geq 40\text{dB}$ @ 20 MHz
Rejection2: $\geq 40\text{dB}$ @ 40 MHz

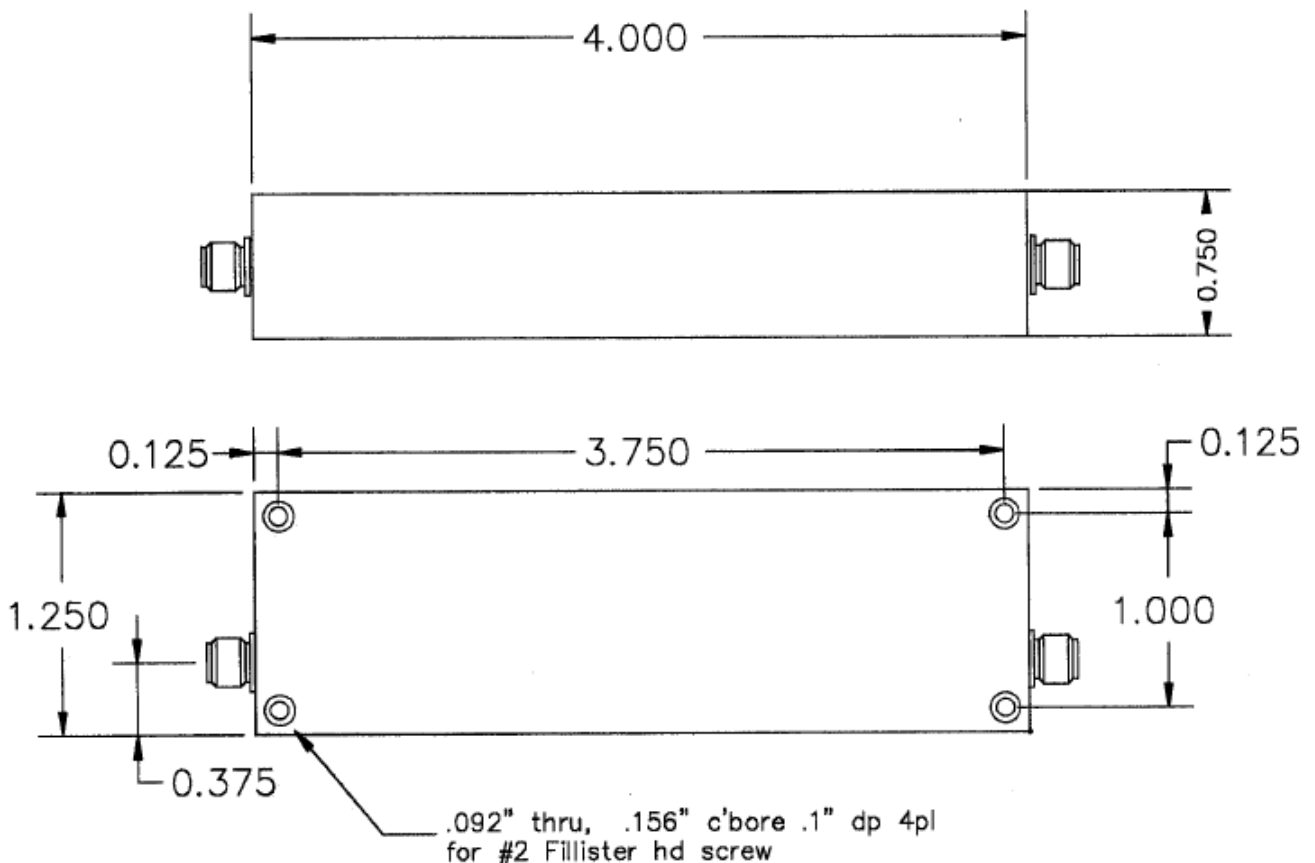
Mechanical

Mounting Method: Through Holes
Connector Type: SMA(M)
Dimensions: 4.0" X 1.25" x 0.75" .

Environmental

Operating Temperature: -25°C to $+70^{\circ}\text{C}$
Storage Temperature: -40°C to $+90^{\circ}\text{C}$
Shock: 10 G. 11ms
Vibration: 10 G. 5 to 200Hz

Outline Drawing:





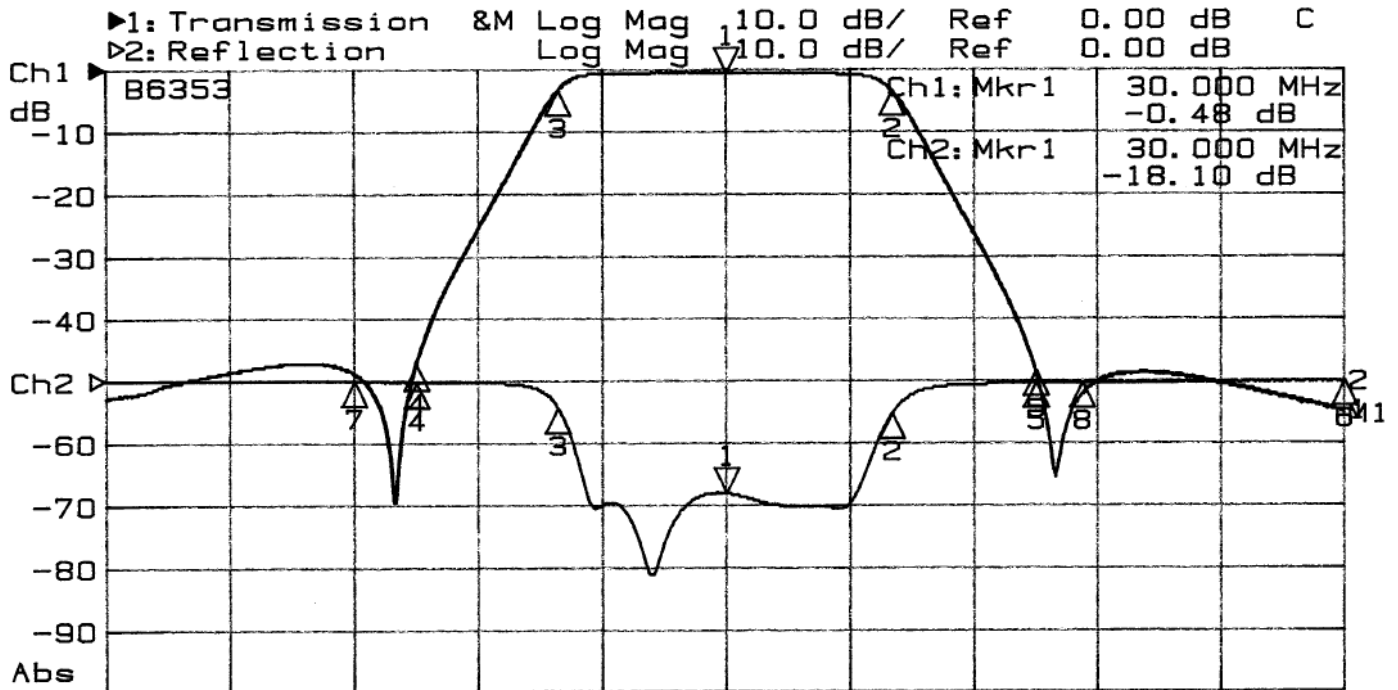
ANATECH ELECTRONICS INC
RF & Microwave Filters & Products

30 MHz LC Band Pass Filter

Part Number: AE30B6353



Response Plot:



Start 10.000 MHz

Stop 50.000 MHz

1: Mkr (MHz)	dB	2: Mkr (MHz)	dB
1> 30.00	-0.48	1> 30.00	-18.10
2: 35.35	-3.50	2: 35.35	-5.33
3: 24.56	-3.47	3: 24.56	-4.35
4: 20.00	-47.65	4: 20.00	-0.17
5: 40.00	-48.43	5: 40.00	-0.31
		6: 50.00	-0.14
		7: 18.00	-0.14
		8: 41.50	-0.27