

This document is the property of Amphenol Corporation and is delivered on the express condition that it is not to be disclosed, reproduced or used, in whole or in part, for manufacture or sale by anyone other than Amphenol Corporation without its prior consent, & that no right is granted to disclose or to use any information in this document.

CUSTOMER DRAWING

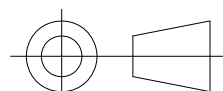
REVISIONS				
SYM	ECN	DESCRIPTION	DATE	APPROVED
1	N/A	FIRST RELEASE	02/15/2022	DAM
2	HKXXXX	UPDATE PIN NUMBER	04/20/2022	DAM
3	HKXXXX	ADD SC DEFINITION & D/C; UPDATE DIM.	06/12/2022	DAM
4	HKXXXX	PIN POSITION PCB SIDE CHANGE FROM 0.3 TO 0.2	06/19/2022	DAM
5	HKXXXX	UPDATE PIN NUMBER; ADD CENTRE OF GRAVITY	07/05/2022	DAM
6	HKXXXX	UPDATE PIN NUMBER	07/13/2022	DAM
7	HKXXXX	UPDATE PIN NUMBER	07/22/2022	DAM
8	HKXXXX	ADD BAFFLE	08/02/2022	DAM
9	HKXXXX	UPDATE DRAWING	08/08/2022	DAM
10	HKXXXX	UPDATE DRAWING	09/02/2022	DAM
11	HKXXXX	ADD CPK DIMENSION AND UPDATE CPK SYMBOL	11/10/2022	DAM
12	HKXXXX	ADD DIMENSIONS FOR PCB LAYOUT	02/27/2023	DAM

- NOTES
- MATERIAL(SEE TABLE A)
 - GENERAL SPECIFICATION:
 - CURRENT RATING: 1.5A.
 - CONTACT RESISTANCE: 20mΩ MAX.
 - INSULATOR RESISTANCE: 100MΩ MIN.AT V_{dc}=500V.T=60S
 - DIELECTRIC WITHSTANDING VOLTAGE: 500 VAC
 - OPERATION TEMPERATURE: -40°C~+105°C
 - MARKED Δ MEANS PRODUCT SPECIAL CHARACTERISTIC. DIMENSION MARKED ∇ SHOULD CHECK THE CPK.
 - DIMENSIONING SHALL BE INTERPRETED PER ASME Y14.5M 1994.
 - COMPLIANCE WITH OPEN ALLIANCE TC9, IEEE1000BASE-T1, IEEE802.3ch-10GBASE-T1
 - BE SUITABLE FOR REFLOW SOLDERING OF JEDEC J-STD-020D STANDARD.
 - REGRIND 0% FOR PLASTIC.
 - Refer to USCAR 777-U-008-2-Z01 INTERFACE DRAWING.
 - ORDER P/N SYSTEM
VNTBR22X2001SR

CODE OPTION PACKAGE
 A:CODE A R:TAPE REEL
 B:CODE B
 C:CODE C
 D:CODE D
 ...
 Z:CODE Z

TABLE A (BOM)

ITEM	COMPONENTS	MATERIAL	QTY
⑨	BAFFLE	SUS304, T=0.3mm, 1/2H	1
⑧	HOUSING	PA10T R6130NH, UL94-V0, COLOR: SEE CODING DEFINITION	1
⑦	DIE CAST	ZINC ALLOY,9~15um Cu UNDER PLATED,1~3um Ni MIDDLE PLATED, 1.25~6um Sn TOP PLATED	1
⑥	LID-L	C2680, 1~3um Ni UNDER PLATED, 1.25~6um Sn TOP PLATED	1
⑤	LID-S	C2680, 1~3um Ni UNDER PLATED, 1.25~6um Sn TOP PLATED	1
④	CONTACT-L	C2680, 1~3um Ni UNDER PLATED, Au 0.15um ON MATING AREA, TIN 2~5.08um ON SOLDER AREA	4
③	HOLDER-L	LCP R8530, UL94-V0, BLACK	2
②	CONTACT-S	C2680, 1~3um Ni UNDER PLATED, Au 0.15um ON MATING AREA, TIN 2~5.08um ON SOLDER AREA	4
①	HOLDER-S	LCP R8530, UL94-V0, BLACK	2

UNLESS OTHERWISE SPECIFIED TOLERANCES		APPROVAL	DATE
.X	+/-	DRAWN Jimmy Min	02/27'22
.XX	+/-	CHECKED Dam He	02/27'23
.XXX	+/-	CHECKED	
FRACTIONS	+/-		
ANGLES	+/-		
FOR MATERIALS AND FINISHES SEE NOTES		DRAWING FILE :	
REMOVE SHARP EDGES		ANGLE OF PROJECTION	
DIMENSIONS			
U.S.	INCHES		
(METRIC)	(MM)		

Amphenol

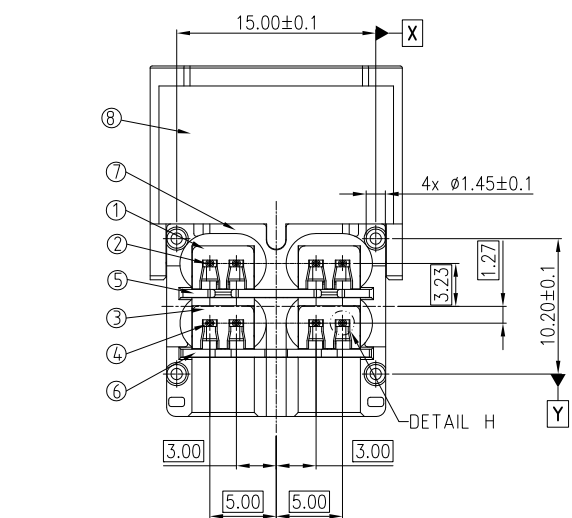
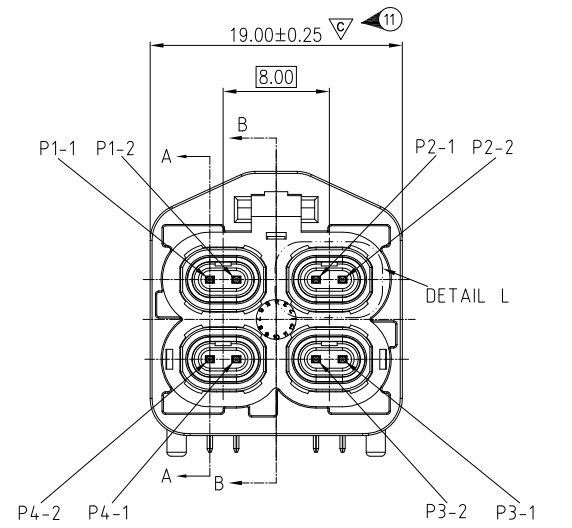
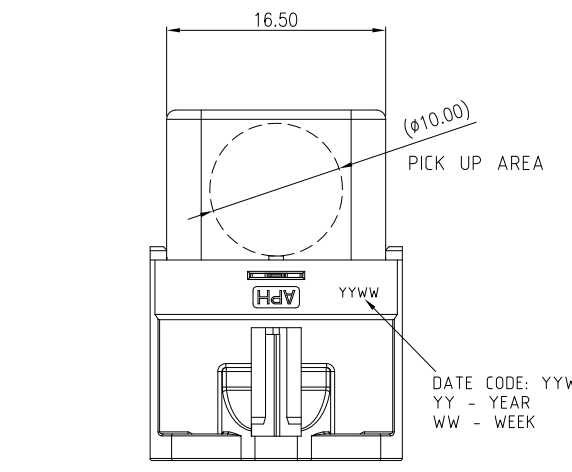
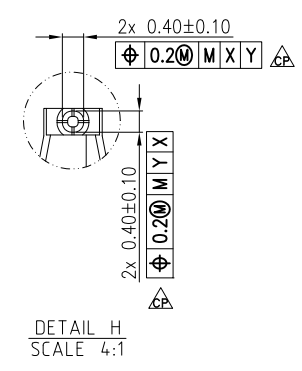
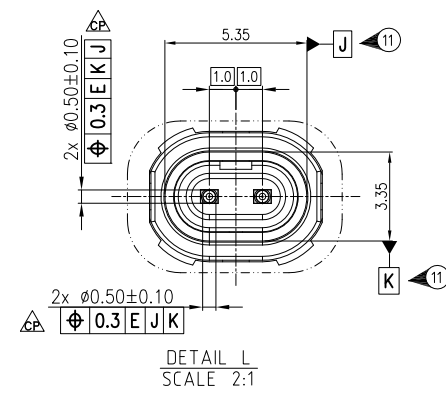
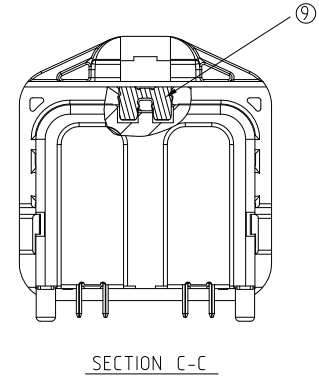
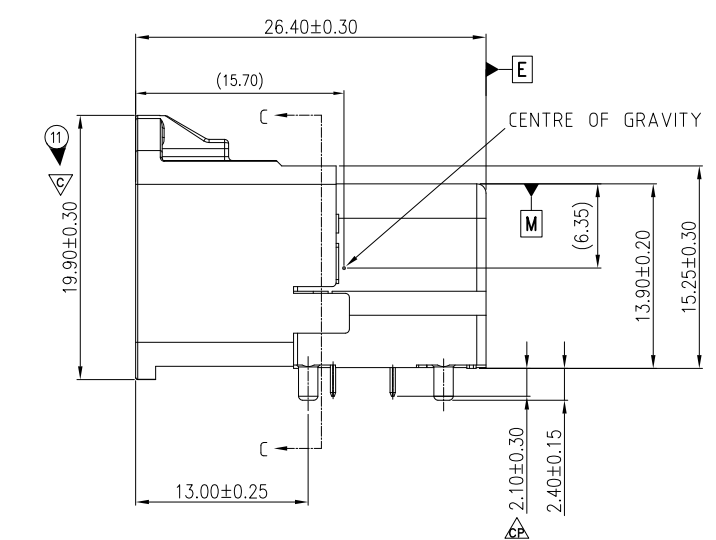
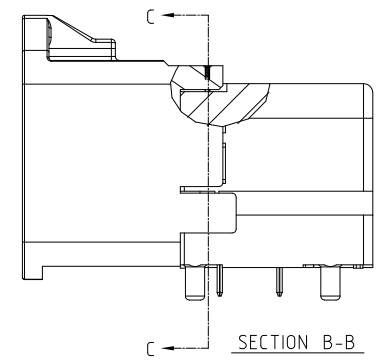
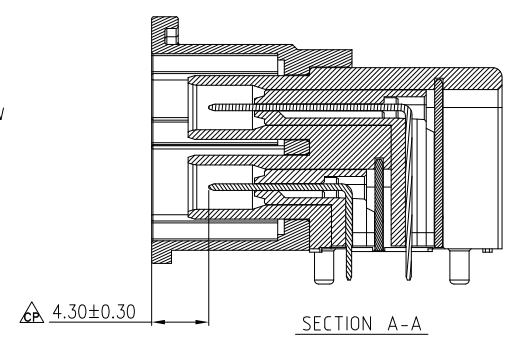
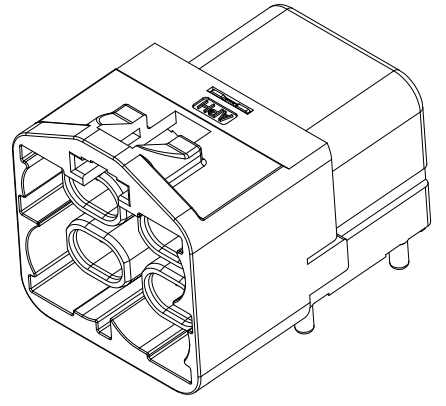
Amphenol East Asia Limited

TITLE
Ve-NET 2X2 R/A UNSEALED CONNECTOR

SIZE	DRAWING NO.	REV.
A3	VNTBR22X2001SR	12
SCALE	NONE	SHEET 1 OF 2



HF(无卤)	√
Non-HF(有卤)	



D
C
B
A

D
C
B
A

4

3

2

1

4

3

2

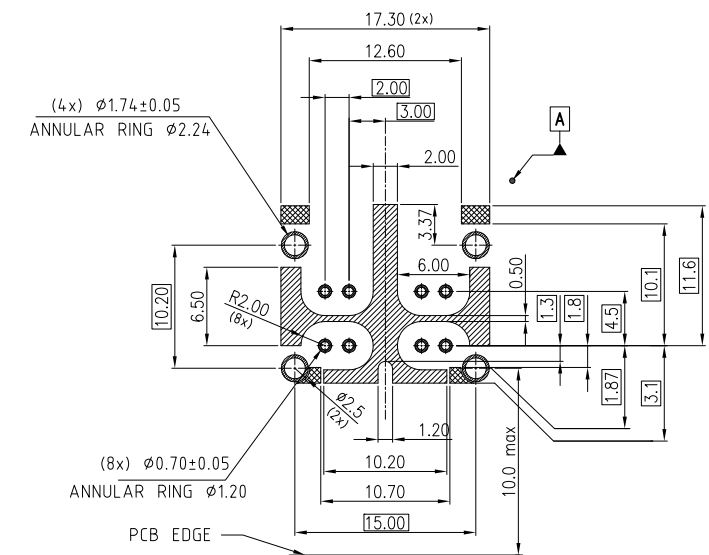
1

This document is the property of Amphenol Corporation and is delivered on the express condition that it is not to be disclosed, reproduced or used, in whole or in part, for manufacture or sale by anyone other than Amphenol Corporation without its prior consent, & that no right is granted to disclose or to use any information in this document.

CUSTOMER DRAWING

REVISIONS				
SYM	ECN	DESCRIPTION	DATE	APPROVED

CODING		COLOR	RAL	P/N
A		BLACK	SIM. 9005	VNTBR22A2001SR
B		WHITE	SIM. 9010	VNTBR22B2001SR
C		LIGHT BLUE	SIM. 5012	VNTBR22C2001SR
D		CLARET VIOLET	SIM. 4004	VNTBR22D2001SR
Z		WATER BLUE	SIM. 5021	VNTBR22Z2001SR



RECOMMENDED PCB LAYOUT THICKNESS 1.6mm~1.85mm (TOLERANCE ± 0.05)
ALL THROUGH HOLES $\phi 0.05$ A

■ SOLDER AREA
■ KEEP OUT AREA, FREE OF SOLDER, NO ROUTING UNDERNEATH



HF(无卤)	√
Non-HF(有卤)	

UNLESS OTHERWISE SPECIFIED TOLERANCES

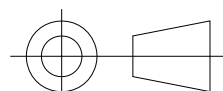
	U.S.	METRIC
.X	+/-	0.50
.XX	+/-	0.30
.XXX	+/-	0.20
FRACTIONS	+/-	
ANGLES	+/-	3°

FOR MATERIALS AND FINISHES SEE NOTES

REMOVE SHARP EDGES

DIMENSIONS

U.S.	INCHES
(METRIC)	(MM)

APPROVAL		DATE
DRAWN	Jimmy Min	02/27'23
CHECKED	Dam He	02/27'23
CHECKED		
DRAWING FILE :		
ANGLE OF PROJECTION		
		

Amphenol		Amphenol East Asia Limited	
TITLE			
Ve-NET 2X2 R/A UNSEALED CONNECTOR			
SIZE	DRAWING NO.	REV.	
A3	VNTBR22X2001SR	12	
SCALE	NONE	SHEET 2 OF 2	