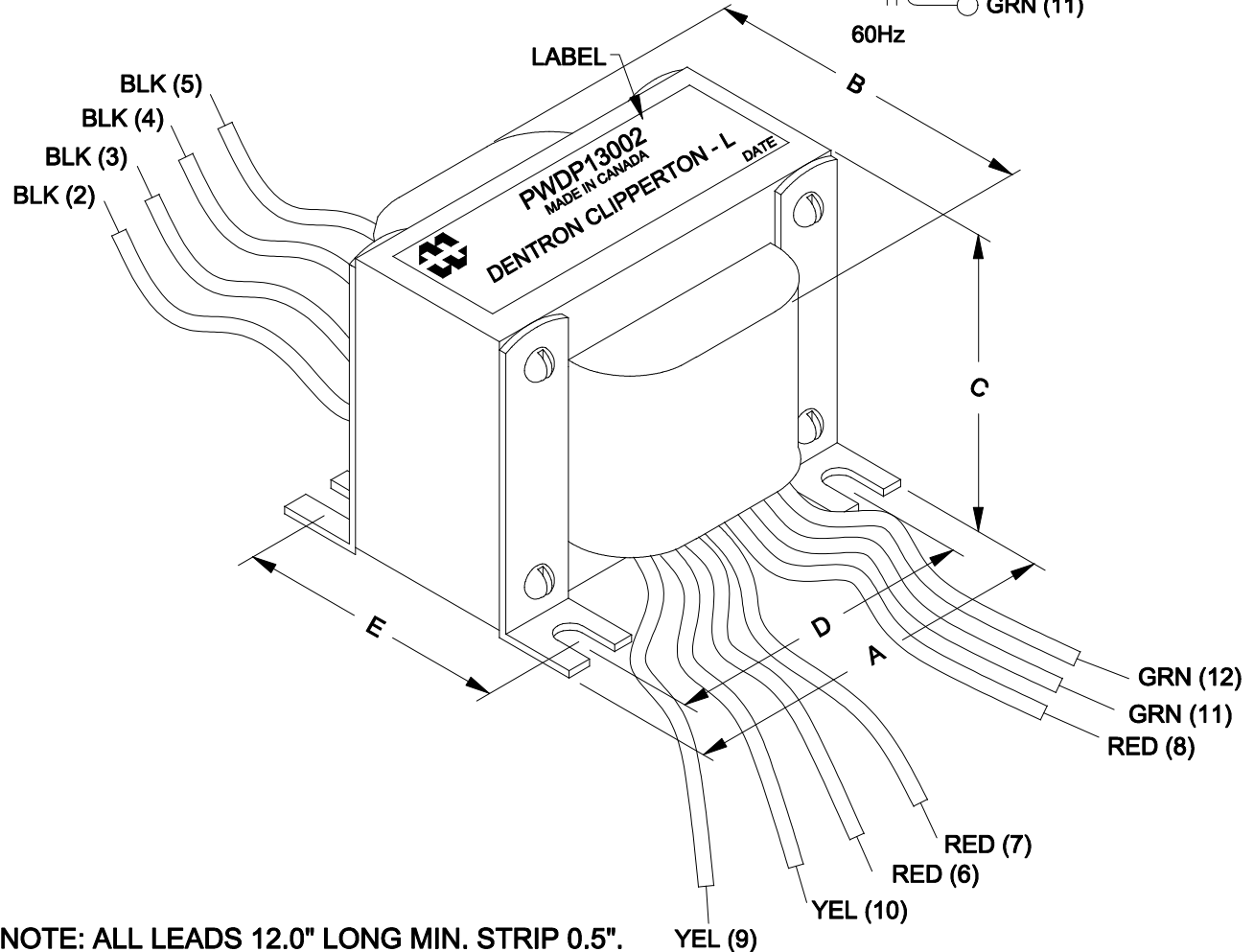
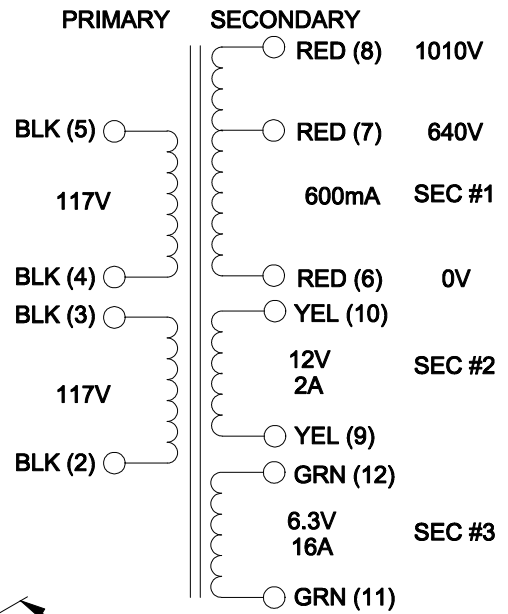


DIMENSIONS:	
A	5.750" ±0.063
B	6.650" MAX.
C	4.250" ±0.063
D	4.938" ±0.063
E	4.625" ±0.063
G	0.203" x 0.400" ±0.015



NOTE: ALL LEADS 12.0" LONG MIN. STRIP 0.5".

**HAMMOND MANUFACTURING**  
**ELECTRONIC DIVISION**  
 52 RANKIN PLACE,  
 WATERLOO, ONTARIO, N2J 3Z5  
 PH # (519) 886-6181  
 FAX # (519) 886-9540

TITLE				PWDP13002	
NO	DATE	REVISION	DWG. BY		
0	06/22/15	RELEASED.	C.I.	CORINA ILIE	
				DATE	
				06/22/15	
				DIM IN( )MM( )	

EDBPWDP13002