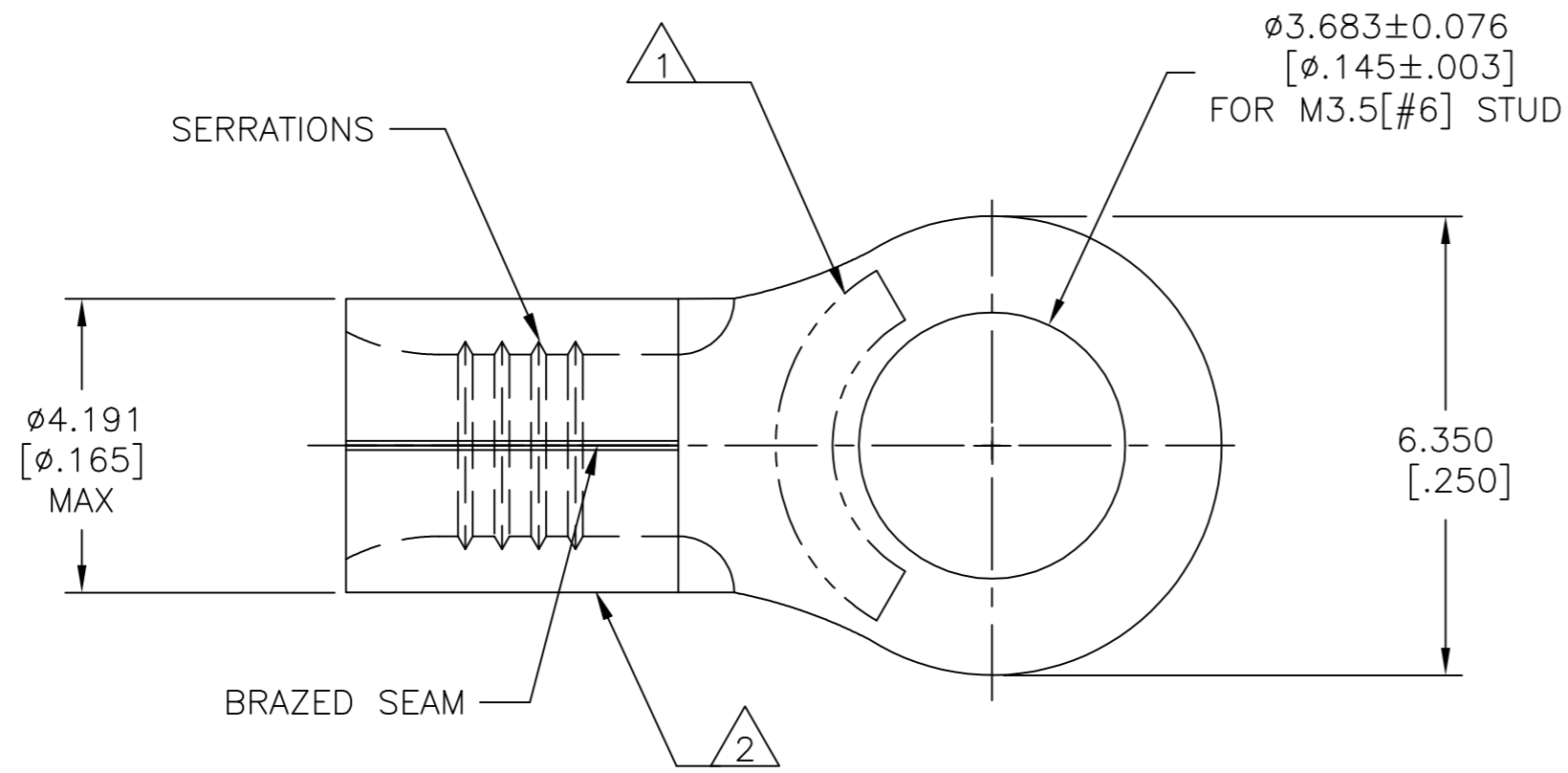


THIS DRAWING IS UNPUBLISHED. RELEASED FOR PUBLICATION  
 © COPYRIGHT - TE Connectivity Ltd. ALL RIGHTS RESERVED.

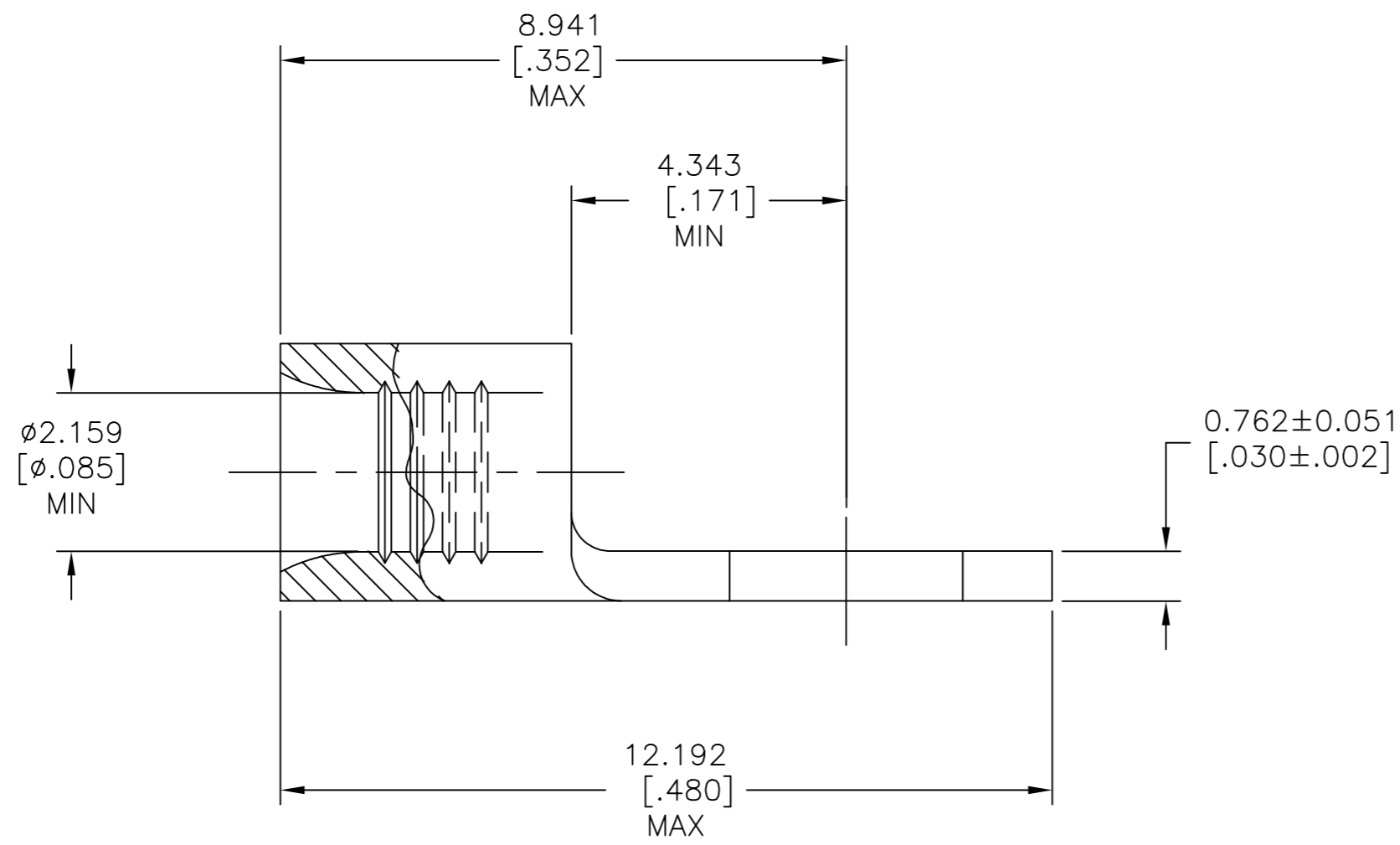
| REVISIONS |     |                           |           |     |      |
|-----------|-----|---------------------------|-----------|-----|------|
| P         | LTR | DESCRIPTION               | DATE      | DWN | APVD |
|           | L   | REV PER ECR 09-027862     | 23DEC09   | JR  | TM   |
|           | L1  | REVISED PER ECO-17-008808 | 09MAR2018 | RS  | DR   |



**AMP**  
WIRE RANGE

16-14 AWG  
SOLID OR STRANDED

- 1 STAMP AMP 16-14 APPROX AS SHOWN
- 2 WIRE BARREL COLOR CODED ORANGE TO DENOTE NICKEL MATERIAL
- 3 NO COLOR CODING
- 4 NICKEL PER ASTM B162, ANNEALED



|      |              |            |
|------|--------------|------------|
| 5000 | ON TAPE      | 2-322329-2 |
| 1000 | LOOSE PIECE  | 2-322329-1 |
| 1000 | LOOSE PIECE  | 322329     |
| QTY  | PACKAGE TYPE | PART NO.   |

| CUSTOMER SERVICE SYSTEMS   |  | MAX RECOMMENDED OPERATING TEMPERATURE:  |
|--|--|---|
| FOR ADDITIONAL PRODUCT INFORMATION OR COPIES OF DRAWINGS AND TECHNICAL DOCUMENTS | PRODUCT INFORMATION CENTER<br>1-800-522-6752 | 649°C [1200°F]  |
| FOR APPLICATION TOOLING INFORMATION  | TOOLING ASSISTANCE CENTER<br>1-800-722-1111  | VOLTAGE RATING:<br>N/A  |
| FOR ORDER ENTRY  | 1-800-526-5142                               | CIRCULAR MIL AREA:<br>1.04-2.62mm <sup>2</sup> [2,050-5,180]<br>SOLID OR STRANDED |

| DIMENSIONS: |          | TOLERANCES UNLESS OTHERWISE SPECIFIED: |                 |
|-------------|----------|--|-----------------|
| mm          | [INCHES] | PLC                                    | ±               |
| 0           |          | PLC                                    | ±               |
| 1           |          | PLC                                    | ±               |
| 2           |          | PLC                                    | ±               |
| 3           |          | PLC                                    | ± 0.127 [0.005] |
| 4           |          | PLC                                    | ±               |
| MATERIAL    |          | ANGLES                                 | ±               |
|             |          | FINISH                                 | -               |

| THIS DRAWING IS A CONTROLLED DOCUMENT. |  | DWN              |         | TE Connectivity Ltd.  |               |
|--|--|------------------|---------|---|---------------|
|  |  | TA BRINKMAN      | 4-15-93 |   |               |
|  |  | DA PATTERSON     | 4-15-93 |   |               |
|  |  | JL MECKLEY       | 4-15-93 |   |               |
|  |  | PRODUCT SPEC     |         |   |               |
|  |  | APPLICATION SPEC |         | NAME  |               |
|  |  | WEIGHT           |         | TERMINAL, RING TONGUE,<br>HIGH TEMPERATURE,<br>STRATO-THERM,™ 16-14 AWG |               |
|  |  | CUSTOMER DRAWING |         | SIZE  | RESTRICTED TO |
|  |  | SCALE            | 10:1    | A2 00779 C=322329   | -             |
|  |  | SHEET            | 1 of 1  | REV   | L1            |