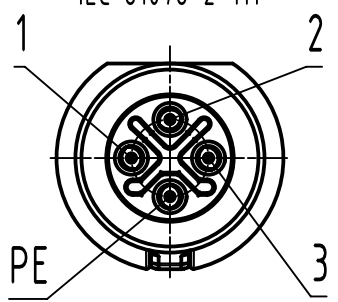


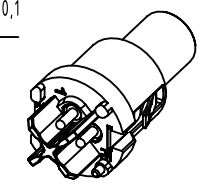
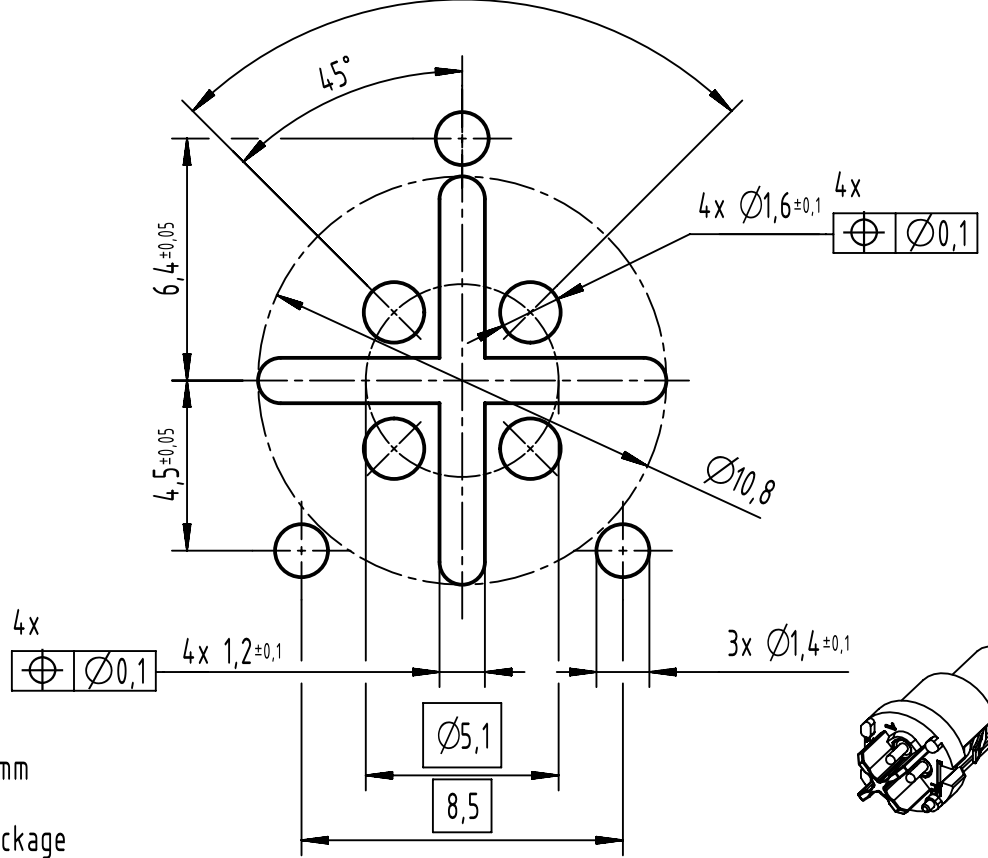
contact face based on
IEC 61076-2-111



recommended PCB-layout

(5:1)

4x 90°



- recommended PCB: 1,6mm

- 30 pcs. carton box package

	All rights reserved Department EL PD	All Dimensions in mm Original Size DIN A4		Scale 2:1	Free size tol.		Ref. Sub.	
		Created by 402918	Inspected by MICLAUS	Standardisation ROEBEN	Date 2021-12-06	State Final Release		
HARTING D-32339 Espelkamp		Title M12-PCB-THR-2PC-4P-SCOD-F-STR-SHLD					Doc-Key / ECM-Nr. 100833668/UGD/003/D 500000207442	
		Type TB	Number 21033092400			Rev. D	Page 1/1	