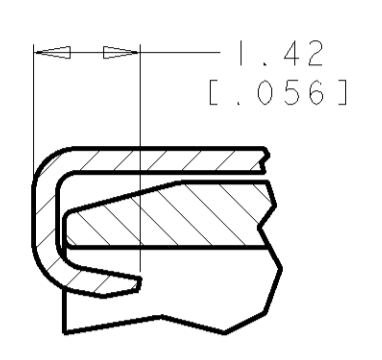
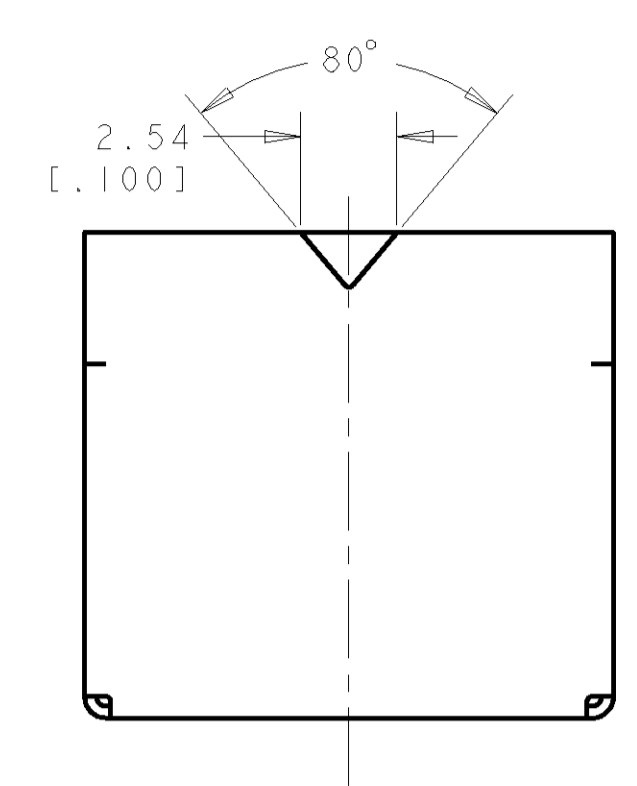
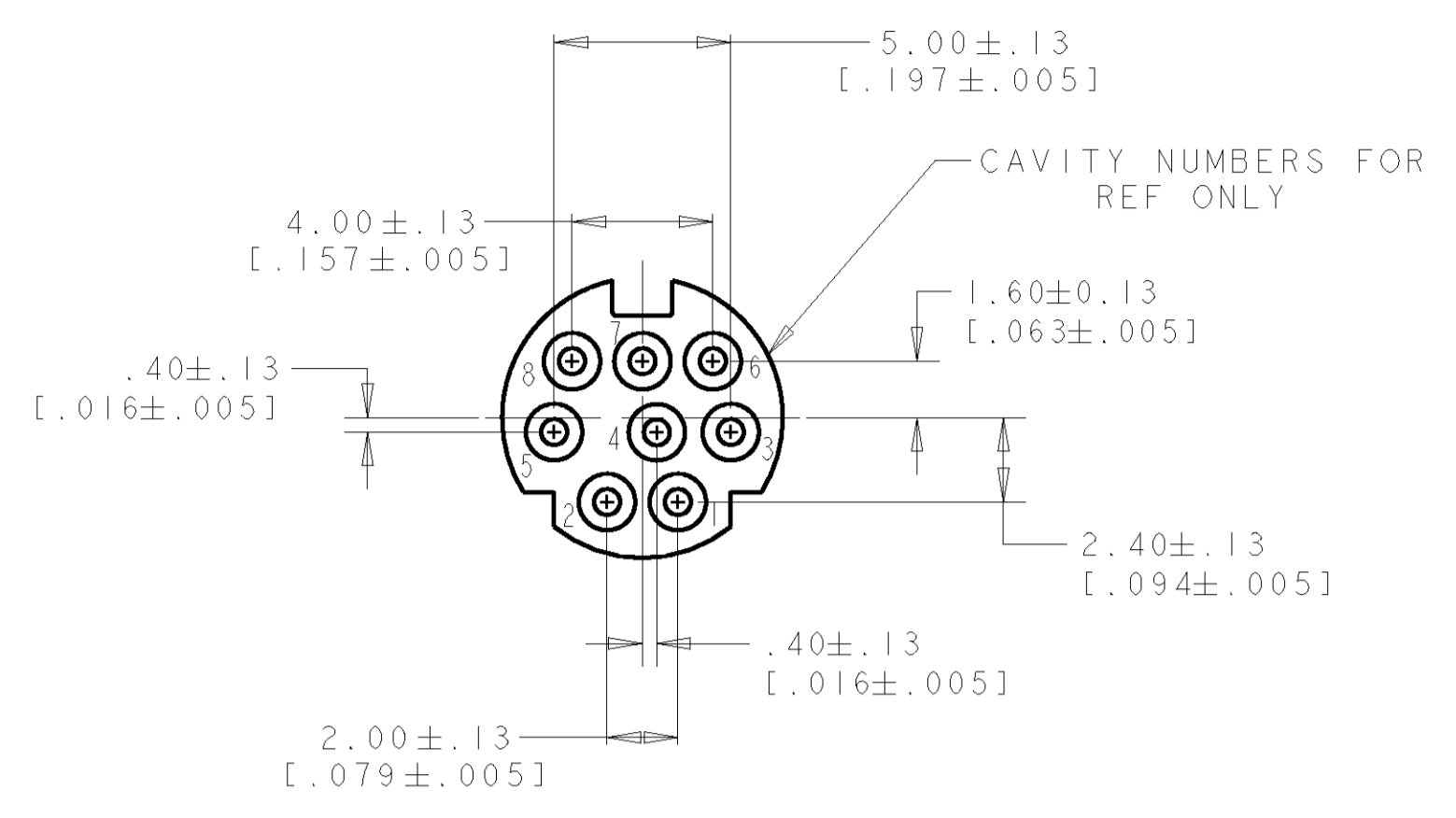


| LOC | DIST | REVISIONS | | | |
|-----|------|------------------|--------|-----|------|
| REV | DATE | DESCRIPTION | DATE | DWN | APPD |
| 0 | | NPR FP00-0340-04 | 5JAN05 | LWY | LSF |

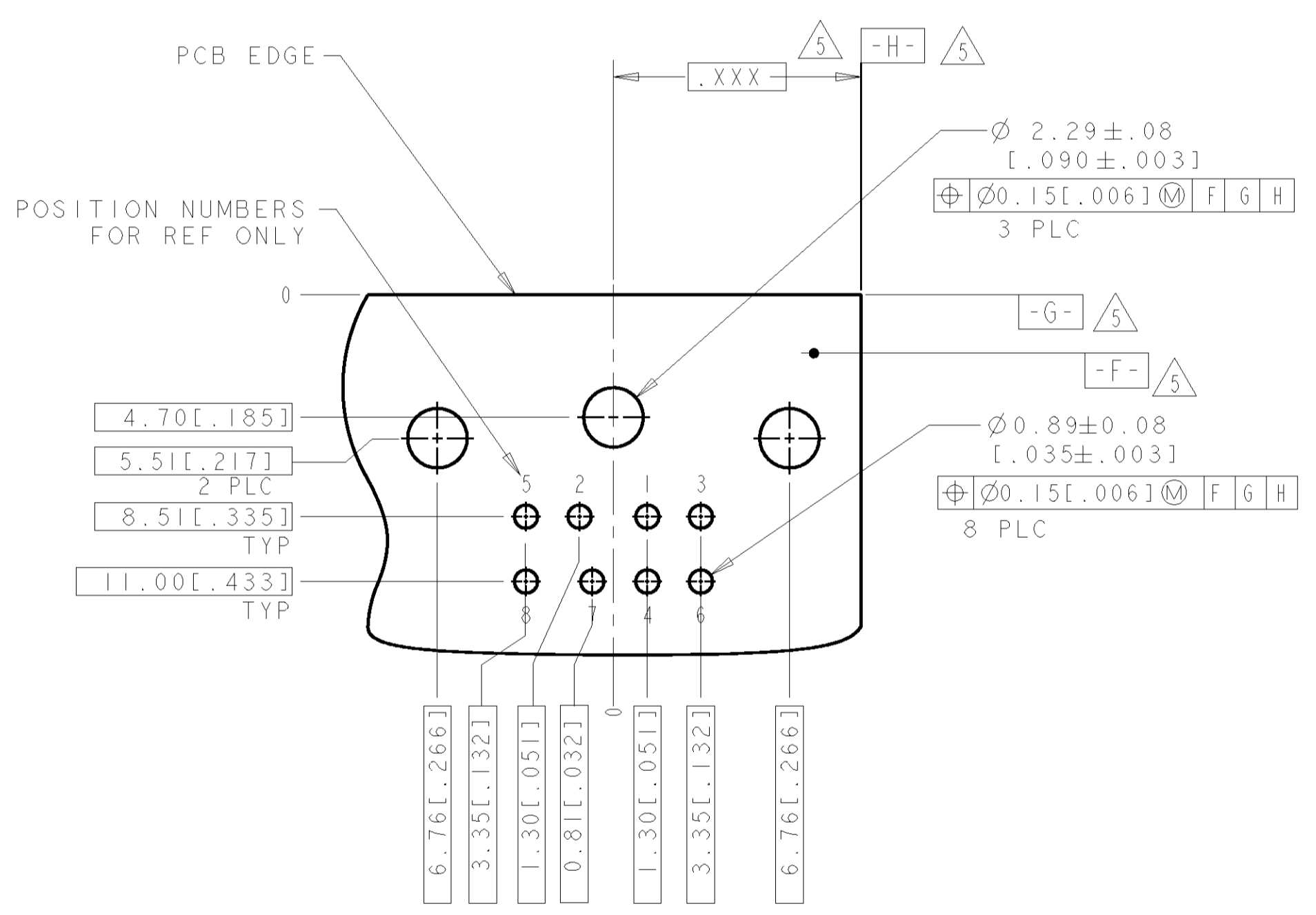
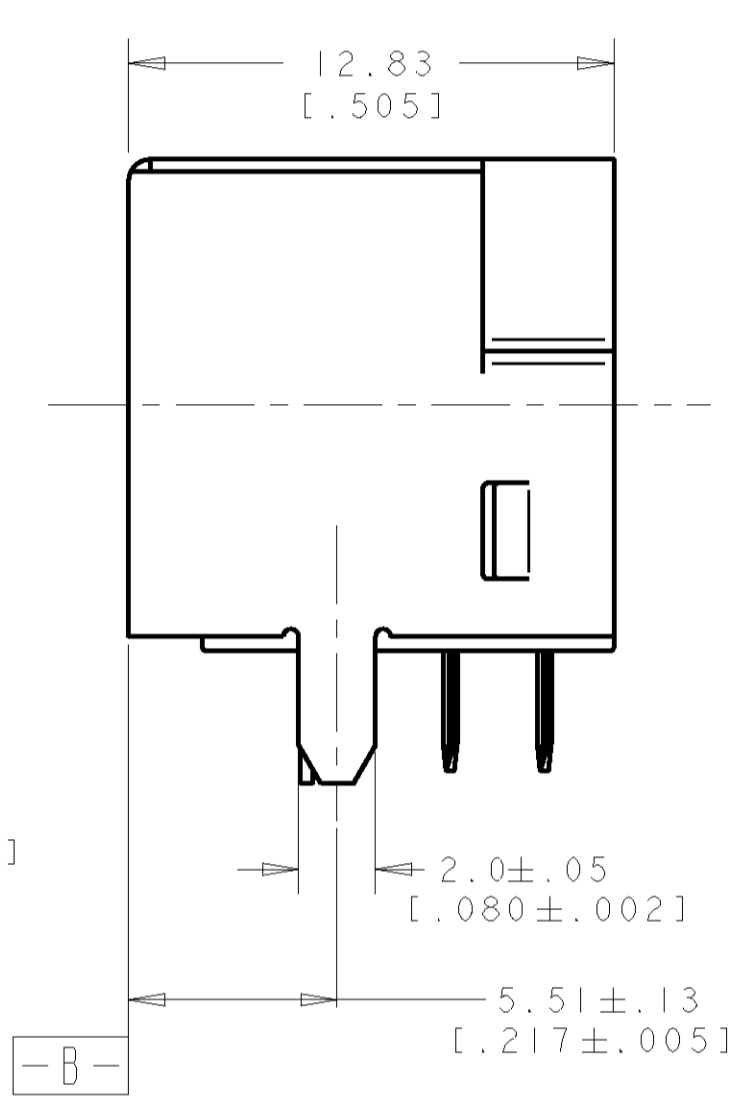
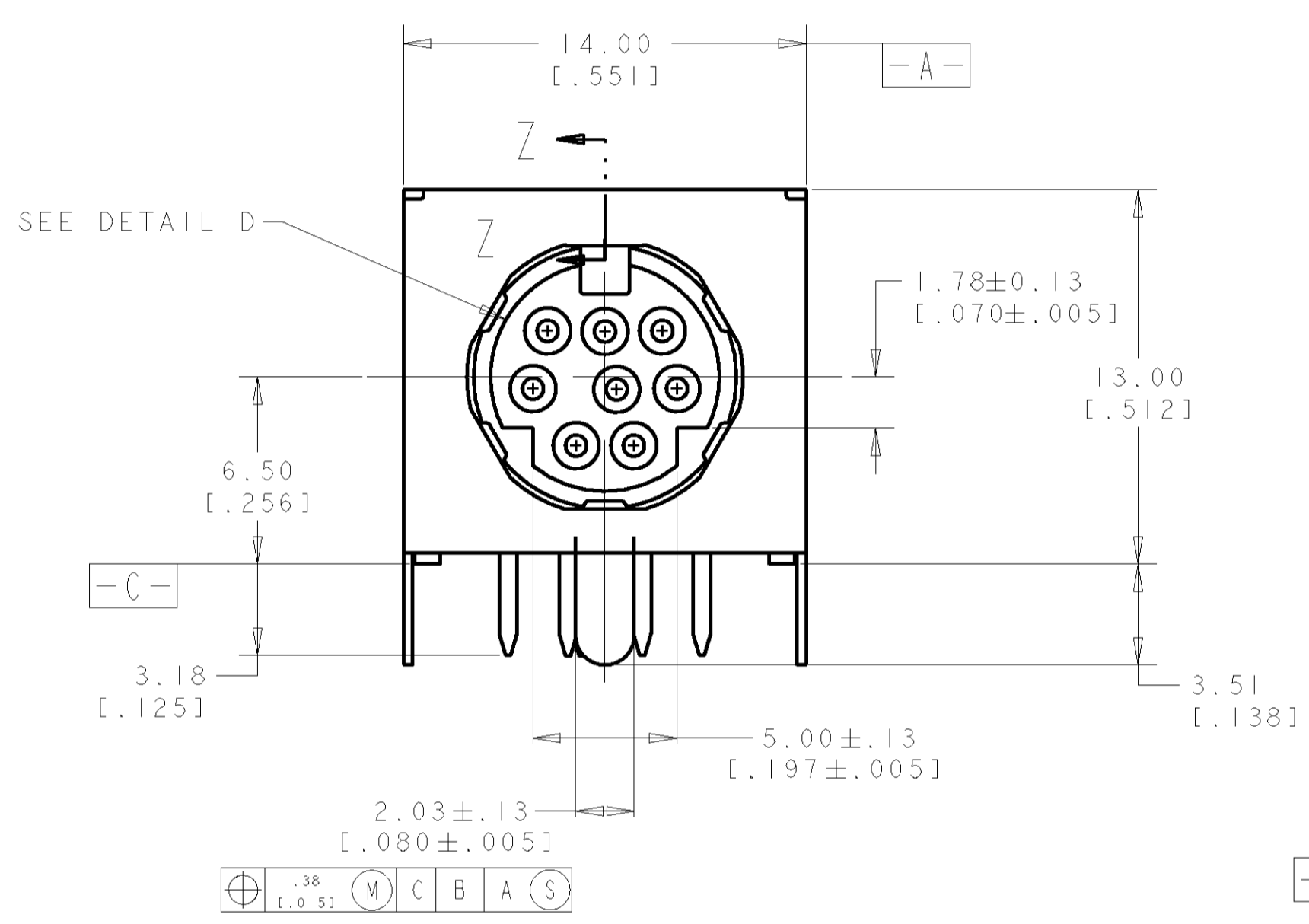


SECTION Z-Z
SCALE 10:1

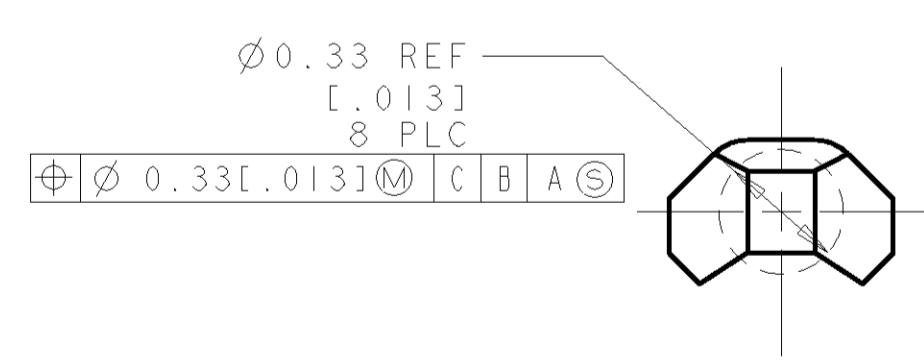
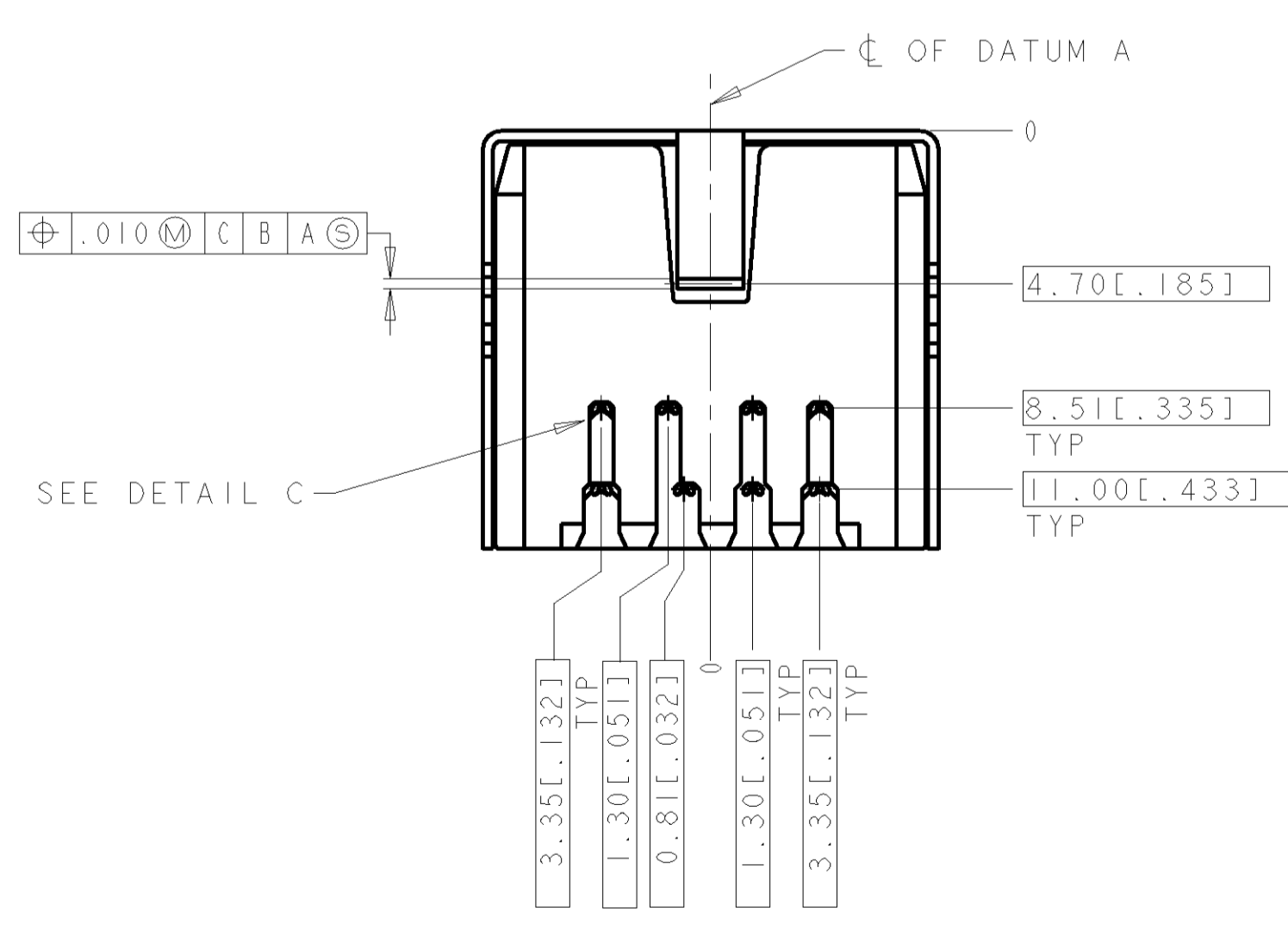


DETAIL D
8 PIN FACE

- △ RECEPTACLE CONTACTS: COPPER ALLOY.
RECEPTACLE SHIELD: COPPER ALLOY.
HOUSING: THERMOPLASTIC, BLACK, 94V-0 RATED.
- △ PLATING:
RECEPTACLE CONTACTS - GOLD FLASH PLATED ON MATING END, MATTE-TIN PLATED .0030 MIN [.000120 MIN] THICK ON SOLDER TAIL ALL OVER .0013 MIN [.000050 MIN] THICK NICKEL.
- △ PLATING:
SHIELD: PRE-TIN PLATED
- 4. RECEPTACLE ASSEMBLY MATES WITH 8 PIN 9.00±.10 [.354±.004]
- △ DATUMS AND BASIC DIMENSION SUPPLIED BY CUSTOMER.



8 PIN PCB LAYOUT
BOTTOM VIEW



DETAIL C
SCALE 50:1

P/N: 5749268-1 AS SHOWN

| | | | | |
|---|--|---|--|--|
| <small>THIS DRAWING IS A CONTROLLED DOCUMENT FOR AMP INCORPORATED. ALL CHANGES MUST BE APPROVED BY THE CONTROL ENGINEERING ORGANIZATION AND BE CONTROLLED BY THE LATEST REVISION.</small> | | DWN: WYLEE CDR: SF LEONG APPD: SF LEONG | 05JAN2005 NAME: RECEPTACLE ASSY, 8 POS, RIGHT ANGLE, MINIATURE CIRCULAR DIN PRODUCT SPEC: 108-1225 APPLICATION SPEC: - WEIGHT: - CUSTOMER DRAWING | tyco Tyco Electronics Singapore Pte. Ltd. |
| DIMENSIONS: mm [INCHES] | TOLERANCES UNLESS OTHERWISE SPECIFIED: 0 PLC ± 1 PLC ± 2 PLC ± 3 PLC ±0.38 [0.015] 4 PLC ± 5 PLC ± | SIZE: A1 CAGE CODE: 00779 DRAWING NO: 5749268 | SCALE: 5:1 SHEET: 1 of 1 REV: 0 | |