

THIS DRAWING IS UNPUBLISHED.

RELEASED FOR PUBLICATION

2011

© COPYRIGHT 2011 BY -

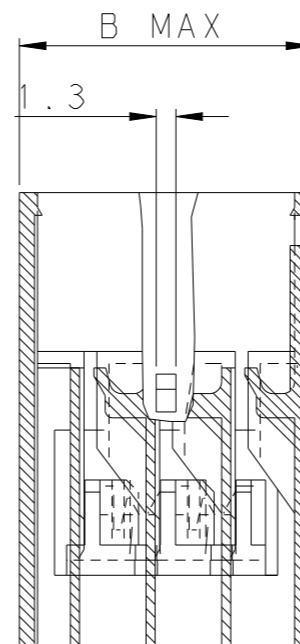
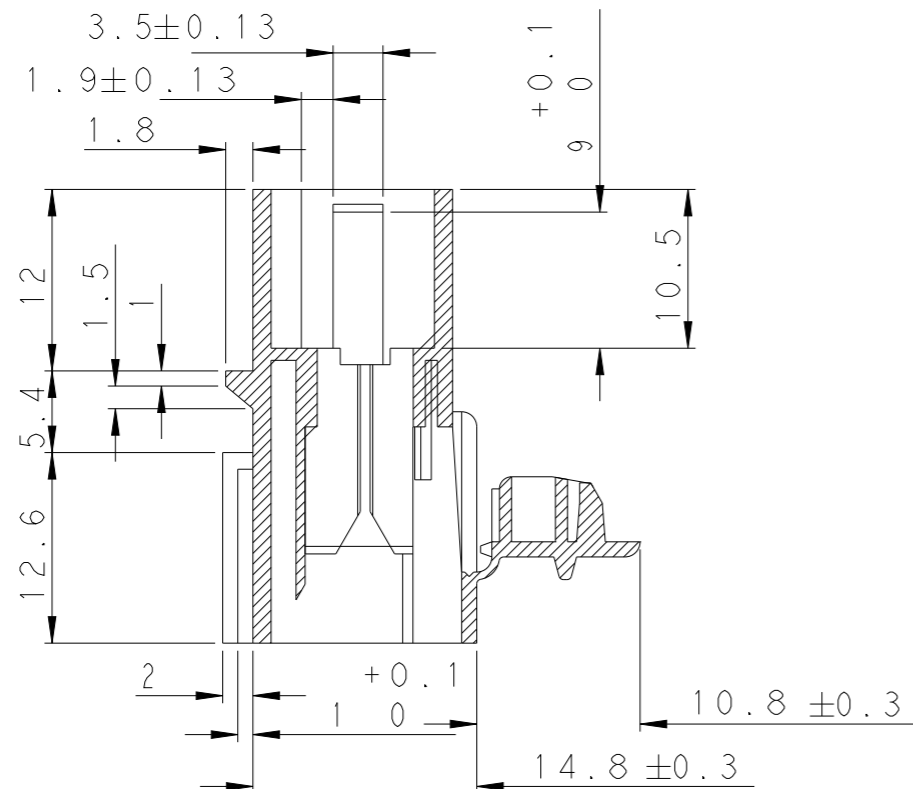
ALL RIGHTS RESERVED.

LOC A1
DIST -

REVISIONS

P	LTR	DESCRIPTION	DATE	DWN	APVD
C		CHANGE COTES 3.5 ET 1.9	18AUG2011	PB	JPP
D		PN WITH NOTE 1 OBSOLETED	29NOV2021	GP	JL

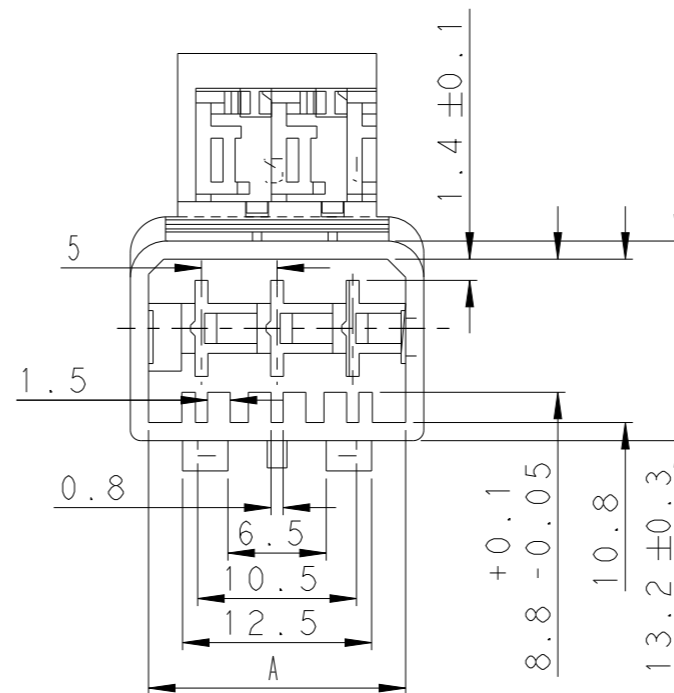
COUPE B-B



1 OBSOLETE PARTS: OBSOLETE CIS STREAMLINING PER D.RENAUD/D.SINISI
 2 PN OBSOLETED

KEYING (DETROMPAGES)

2 POSITIONS		3 POSITIONS	
	BLACK (NOIR) 0-144835-2		BLACK (NOIR) 0-144835-3
	BROWN (MARRON) 1-144835-2		BROWN (MARRON) 1-144835-3
	RED (ROUGE) 2-144835-2		RED (ROUGE) 2-144835-3
	ORANGE 3-144835-2		ORANGE 3-144835-3
	YELLOW (JAUNE) 4-144835-2		YELLOW (JAUNE) 4-144835-3
	GREEN (VERT) 5-144835-2		GREEN (VERT) 5-144835-3
	BLUE (BLEU) 6-144835-2		BLUE (BLEU) 6-144835-3
	VIOLET 7-144835-2		VIOLET 7-144835-3
	GREY (GREY) 8-144835-2		GREY (GREY) 8-144835-3
	WHITE (BLANC) 9-144835-2		WHITE (BLANC) 9-144835-3



1 OBSOLETE	19.7	17	3	144835-3
	14.7	12	2	144835-2
	B	A	Nb de VOIES (Nb of WAYS)	REFERENCES

THIS DRAWING IS A CONTROLLED DOCUMENT.

DIMENSIONS: mm



MATERIAL PA 6.6

TOLERANCES UNLESS OTHERWISE SPECIFIED:

0-PLC	±-
1-PLC	±-
2-PLC	±-
3-PLC	±0.2
4-PLC	±-
ANGLES	±2°
FINISH	-

DWN P.BACHELOT 18AUG2011
 CHK JP PICAUD 18AUG2011
 APVD J J REVIL 18AUG2011

PRODUCT SPEC -
 APPLICATION SPEC -
 WEIGHT -



NAME BOITIER PORTE -LANG 5MM DOUBLE VERROU (housing for tab 5 mm double locking)

SIZE A3 CAGE CODE 00779 DRAWING NO C-144835 RESTRICTED TO

CUSTOMER DRAWING /PLAN CLIENT UNIQUEMENT POUR REFERENCE SCALE - SHEET 1 OF 1 REV D