

AXL SE SC - Cover

1167159

<https://www.phoenixcontact.com/us/products/1167159>



Please be informed that the data shown in this PDF document is generated from our online catalog. Please find the complete data in the user documentation. Our general terms of use for downloads are valid.

Axioline Smart Elements, Slot cover, degree of protection: IP20



Product description

You can integrate Axioline Smart Elements into systems with the Smart Element interface. This Smart Element covers an unused Smart Element slot.

Your advantages

- Protects an unused Smart Element slot

Commercial data

Item number	1167159
Packing unit	1 pc
Minimum order quantity	1 pc
Sales key	DR05
Product key	DRIBZ4
GTIN	4063151182151
Weight per piece (including packing)	19.1 g
Weight per piece (excluding packing)	19.1 g
Customs tariff number	85389099
Country of origin	DE

Technical data

Product properties

Type	modular
	Axioline Smart Element
Product type	Cover
Product family	Axioline Smart Elements
Mounting position	See the system in which the Smart Element is used.

System properties

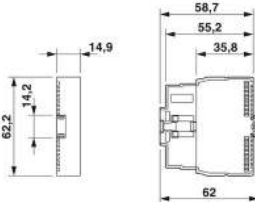
Module

ID code (hex)	none
Process data channel	0 bit
Input address area	0 Byte (All systems except PROFIBUS) 1 Byte (PROFIBUS)
Output address area	0 Byte
Required parameter data	1 Byte
Required configuration data	6 Byte

Connection data

Connection method	without
-------------------	---------

Dimensions

Dimensional drawing	
Width	14.9 mm
Height	62.2 mm
Depth	62 mm

Environmental and real-life conditions

Ambient conditions

Ambient temperature (operation)	-25 °C ... 60 °C
Degree of protection	IP20
Air pressure (operation)	70 kPa ... 106 kPa (up to 3000 m above sea level)
Air pressure (storage/transport)	70 kPa ... 106 kPa (up to 3000 m above sea level)
Ambient temperature (storage/transport)	-40 °C ... 85 °C
Permissible humidity (operation)	5 % ... 95 % (non-condensing)
Permissible humidity (storage/transport)	5 % ... 95 % (non-condensing)

AXL SE SC - Cover

1167159

<https://www.phoenixcontact.com/us/products/1167159>



Mounting

Mounting type	Smart Element slot
Mounting position	See the system in which the Smart Element is used.

AXL SE SC - Cover

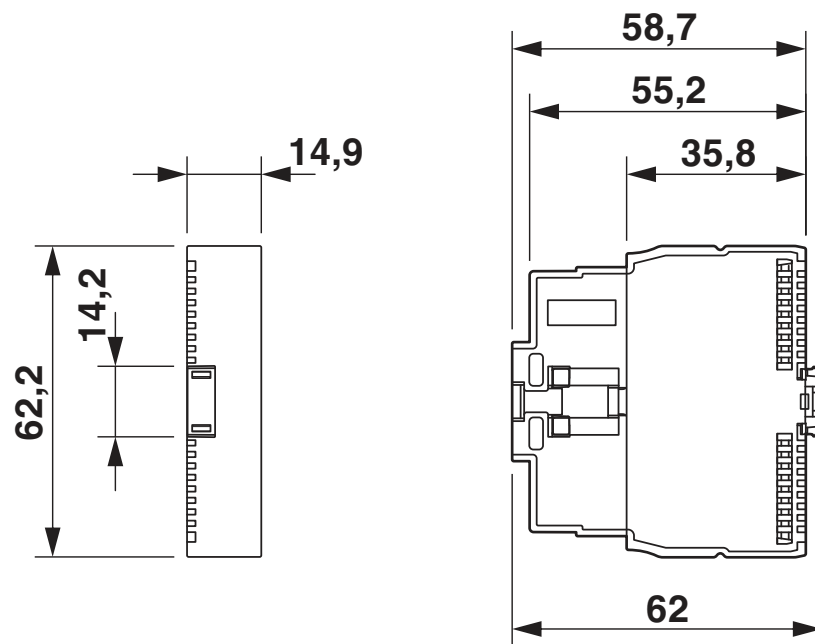
1167159

<https://www.phoenixcontact.com/us/products/1167159>



Drawings

Dimensional drawing



Dimensions

AXL SE SC - Cover



1167159

<https://www.phoenixcontact.com/us/products/1167159>

Approvals

To download certificates, visit the product detail page: <https://www.phoenixcontact.com/us/products/1167159>



UL Listed

Approval ID: FILE E 238705

AXL SE SC - Cover

1167159

<https://www.phoenixcontact.com/us/products/1167159>



Classifications

ECLASS

ECLASS-11.0	27242692
ECLASS-13.0	27242692
ECLASS-12.0	27242692

ETIM

ETIM 8.0	EC002584
----------	----------

UNSPSC

UNSPSC 21.0	32151600
-------------	----------

AXL SE SC - Cover

1167159

<https://www.phoenixcontact.com/us/products/1167159>



Environmental product compliance

China RoHS	Environmentally friendly use period: unlimited = EFUP-e
	No hazardous substances above threshold values

AXL SE SC - Cover

1167159

<https://www.phoenixcontact.com/us/products/1167159>



Mandatory accessories

AXL F BP SE4 - Module carrier

1088135

<https://www.phoenixcontact.com/us/products/1088135>

Axioline F, Backplane, 4 slots for Axioline Smart Elements, transmission speed in the local bus: 100 Mbps, degree of protection: IP20



AXL F BP SE6 - Module carrier

1088136

<https://www.phoenixcontact.com/us/products/1088136>

Axioline F, Backplane, 6 slots for Axioline Smart Elements, transmission speed in the local bus: 100 Mbps, degree of protection: IP20



Accessories

AXL SE SC - Cover

1167159

<https://www.phoenixcontact.com/us/products/1167159>



MM-TML (EX4,2)R C1 TR/BK - Label

0803979

<https://www.phoenixcontact.com/us/products/0803979>



Label, Roll, transparent/black, unlabeled, can be labeled with: THERMOFOX, THERMOMARK GO, THERMOMARK GO.K, mounting type: adhesive, lettering field size: continuous x 3.2 mm

SK 5,0 WH:REEL - Marker strip

0805221

<https://www.phoenixcontact.com/us/products/0805221>



Marker strip, Roll, white, unlabeled, can be labeled with: THERMOMARK E.300 (D)/600 (D), THERMOMARK ROLL 2.0, THERMOMARK ROLL, THERMOMARK ROLL X1, THERMOMARK ROLLMASTER 300/600, THERMOMARK X1.2, mounting type: adhesive, lettering field size: continuous x 5 mm, Number of individual labels: 90000

AXL SE SC - Cover

1167159

<https://www.phoenixcontact.com/us/products/1167159>



UM6M-TM (5X12) - Marker for terminal blocks

0830928

<https://www.phoenixcontact.com/us/products/0830928>



Marker for terminal blocks, Strip, white, unlabeled, can be labeled with: TOPMARK NEO, TOPMARK LASER, BLUEMARK ID COLOR, BLUEMARK ID, BLUEMARK CLED, THERMOMARK PRIME, THERMOMARK CARD 2.0, THERMOMARK CARD, mounting type: snapped, for terminal block width: 5 mm, lettering field size: 5 x 12 mm, Number of individual labels: 24

UCT6M-TM 5 - Marker for terminal blocks

0830756

<https://www.phoenixcontact.com/us/products/0830756>



Marker for terminal blocks, for marking ABB terminal blocks from the SNK series, Sheet, white, unlabeled, can be labeled with: THERMOMARK CARD, THERMOMARK CARD 2.0, THERMOMARK PRIME, BLUEMARK ID, BLUEMARK ID COLOR, TOPMARK LASER, TOPMARK NEO, mounting type: snapped, for terminal block width: 5.2 mm, lettering field size: 4.17 x 11.3 mm

Phoenix Contact 2023 © - all rights reserved
<https://www.phoenixcontact.com>

Phoenix Contact USA
586 Fulling Mill Road
Middletown, PA 17057, United States
(+717) 944-1300
info@phoenixcon.com