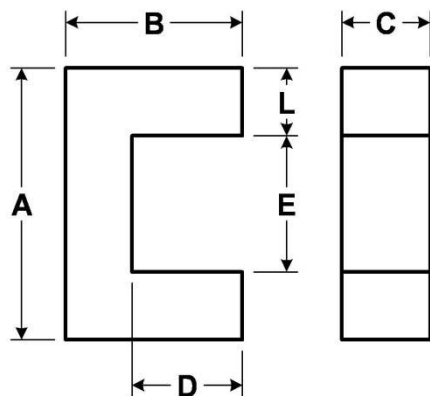




00K5529U026

110 Delta Drive
 Pittsburgh, PA 15238
 Phone: 412/696-1333
 Fax: 412/696-0333
 Email:magnetics@spang.com



Permeability (μ)	A_L (nH/T ²)
26	85 ± 8%

DIMENSIONS (mm)		±
A	54.86	0.64
B	27.56	0.51
C	23.16	0.38
D (min)	16.51	--
E (min)	33.02	--
L (nom)	10.54	--

Markings		
XXXXXX	00K5529U026	N/A
Lot Number	Part Number	Inductance Grade

Physical Characteristics				
A_e (mm ²) Cross Section	L_e (mm) Path Length	V_e (mm ³) Volume	Weight (grams)	Box Quantity (pieces)
244	168	40,992	113	96

Available Hardware

