

THIS PRODUCT MANUFACTURED WITH LEAD-FREE PROCESSING

DESIGNED & DIMENSIONED IN MILLIMETERS [INCHES]

DO NOT SCALE FROM THIS PRINT

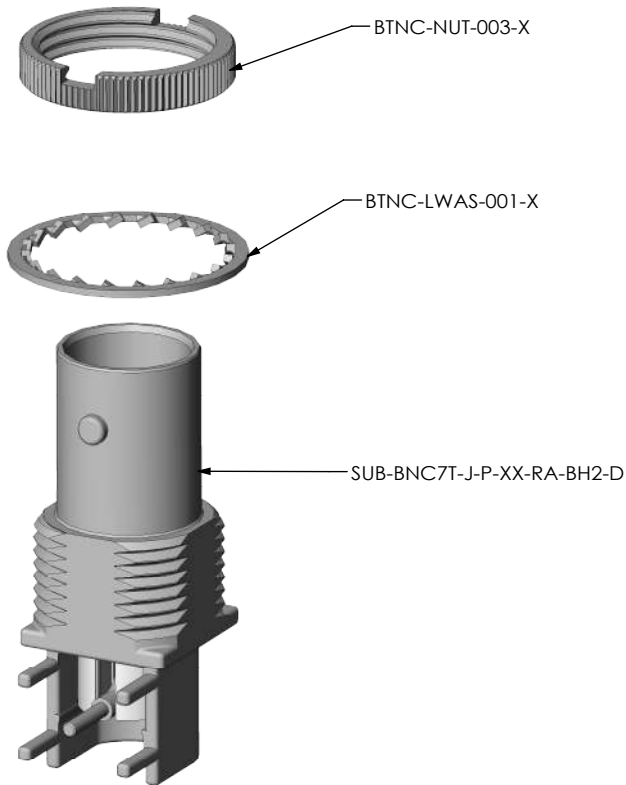


FIG 1
BNC7T-J-P-XX-RA-BH2D SHOWN

NOTES:

- ⊕ REPRESENTS A CRITICAL DIMENSION.
- RoHS COMPLIANT.
- SEE CO-HD-WI-3040-M RF PACKAGING STANDARD FOR PACKAGING INSTRUCTIONS. PRODUCT TO BE PACKAGED IN TRAY TY-BNC002-1 WITH COVER TY-BNC002-2. NUT AND WASHER TO BE BULK PACKAGED SEPARATELY.
- COMPONENT PLATING DESIGNATIONS:
 -H: 0.000030" MIN. GOLD OVER 0.000050" MIN. NICKEL.
 -G: 0.000010" MIN. GOLD OVER 0.000050" MIN. NICKEL.
 -N: 0.000100" MIN. NICKEL.
- ASSEMBLY PLATING DESIGNATIONS:
 -HN: (CENTER CONTACT)-H (OUTER CONTACT) -N (REMAINING METAL PARTS) -N
 -GN: (CENTER CONTACT)-G (OUTER CONTACT) -N (REMAINING METAL PARTS) -N

BNC7T-J-P-XX-RA-BH2D

GENDER
-J: JACK

TYPE
-P: PCB

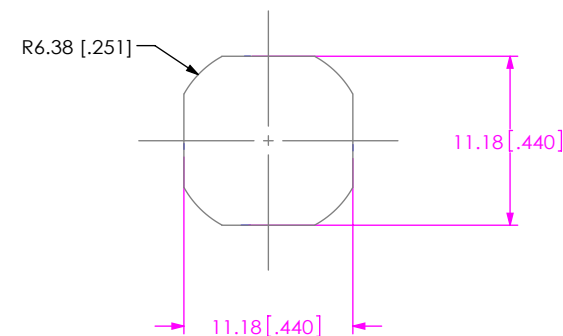
TERMINATION
-BH2D: DIE-CAST BULKHEAD THROUGH HOLE

ORIENTATION
-RA: RIGHT ANGLE

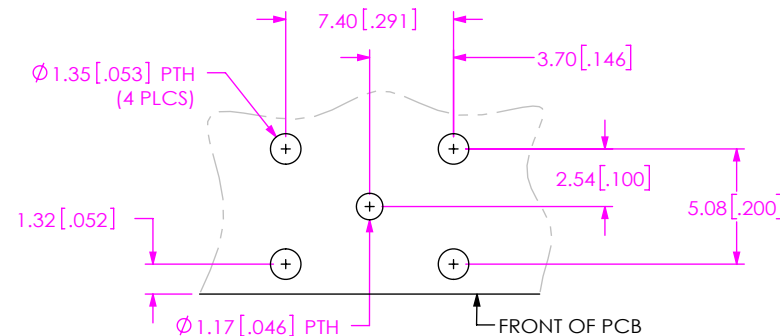
PLATING SPECIFICATION
-HN: HEAVY GOLD/NICKEL TAIL (SEE NOTES 4 & 5) (SUB-BNC7T-J-P-HN-RA-BH2-D) (BTNC-NUT-003-N) (BTNC-LWAS-001-N)

-GN: GOLD/NICKEL TAIL (SEE NOTES 4 & 5) (SUB-BNC7T-J-P-GN-RA-BH2-D) (BTNC-NUT-003-N) (BTNC-LWAS-001-N)

RECOMMENDED MOUNTING HOLE
4.00 [1.57] MAX. PANEL THICKNESS



RECOMMENDED PCB LAYOUT



UNLESS OTHERWISE SPECIFIED, DIMENSIONS ARE IN MILLIMETERS [INCHES]. TOLERANCES ARE:
 DECIMALS ANGLES
 .X: ±0.3 [0.1] 5°
 .XX: ±0.13 [0.005]
 .XXX: ±0.051 [0.0020]

PROPRIETARY NOTE
 THIS DOCUMENT CONTAINS CONFIDENTIAL AND PROPRIETARY INFORMATION AND ALL DESIGN, MANUFACTURING, REPRODUCTION, USE, PATENT RIGHTS AND SALES RIGHTS ARE EXPRESSLY RESERVED BY SAMTEC, INC. THIS DOCUMENT SHALL NOT BE DISCLOSED, IN WHOLE OR PART, TO ANY UNAUTHORIZED PERSON OR ENTITY NOR REPRODUCED, TRANSFERRED OR INCORPORATED IN ANY OTHER PROJECT IN ANY MANNER WITHOUT THE EXPRESS WRITTEN CONSENT OF SAMTEC, INC.

520 PARK EAST BLVD, NEW ALBANY, IN 47150
 PHONE: 812-944-6733 FAX: 812-948-5047
 e-Mail: info@SAMTEC.com code: 55322

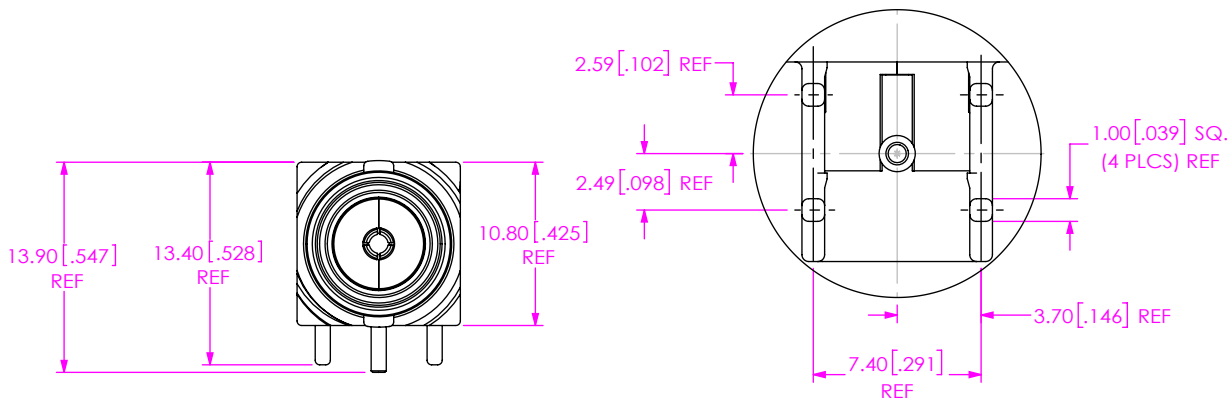
MATERIAL: DO NOT SCALE DRAWING SHEET SCALE: 2:1

SHELL: ZINC
 NUT, WASHER: BRASS
 CONTACT: COPPER ALLOY
 DIELECTRIC: TPX

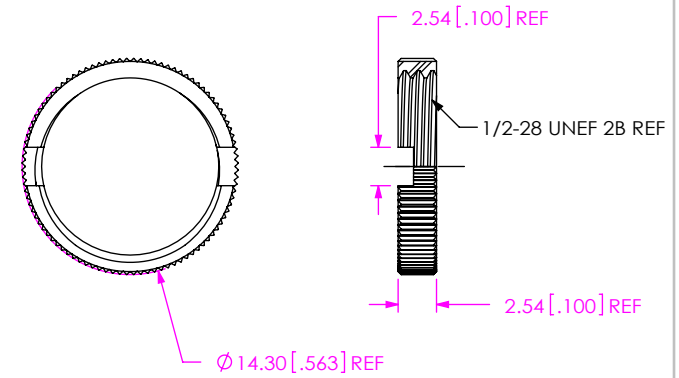
DESCRIPTION:
BNC RIGHT ANGLE JACK ASSEMBLY

DWG. NO.
BNC7T-J-P-XX-RA-BH2D

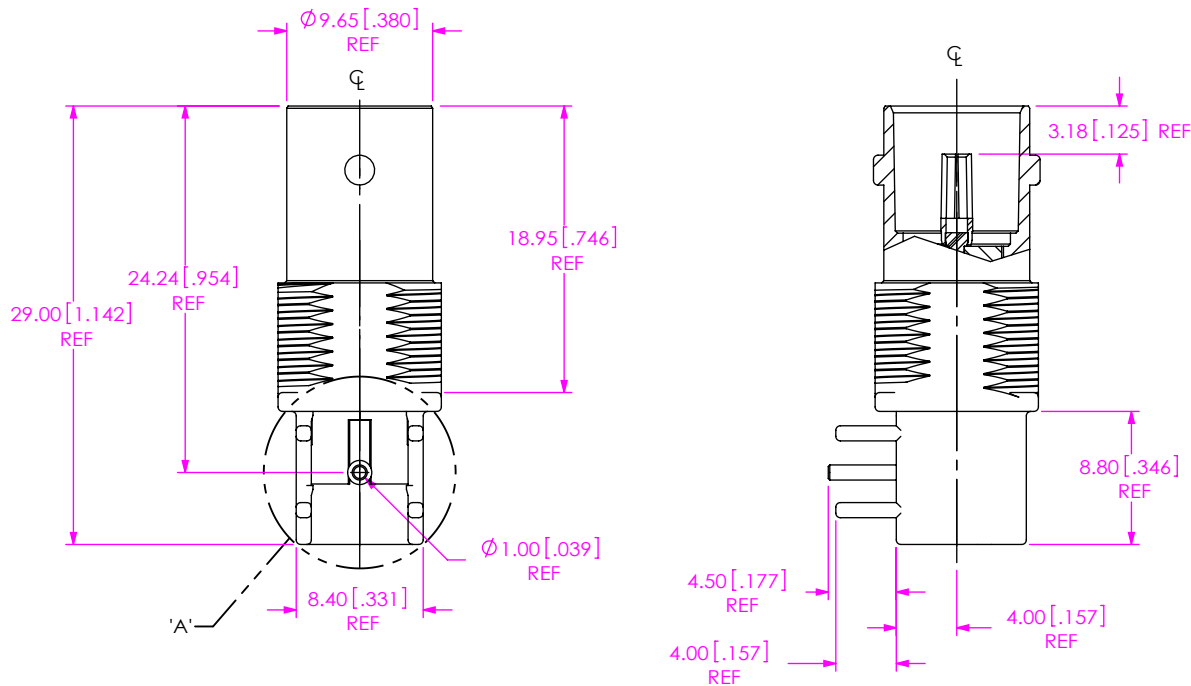
BY: B. COOPER 11/5/2009 SHEET 1 OF 2



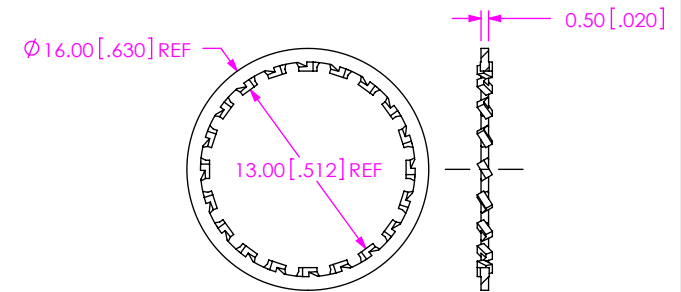
DETAIL 'A'
SCALE 3:1



SAMTEC PART NUMBER	ITEM
BTNC-NUT-003-X	KNURLED NUT



SAMTEC PART NUMBER	ITEM
SUB-BNC7T-J-P-XX-RA-BH2-D	SUB ASSEMBLY



SAMTEC PART NUMBER	ITEM
BTNC-LWAS-001-X	LOCKWASHER

PROPRIETARY NOTE
 THIS DOCUMENT CONTAINS CONFIDENTIAL AND PROPRIETARY INFORMATION AND ALL DESIGN, MANUFACTURING, REPRODUCTION, USE, PATENT RIGHTS AND SALES RIGHTS ARE EXPRESSLY RESERVED BY SAMTEC, INC. THIS DOCUMENT SHALL NOT BE DISCLOSED, IN WHOLE OR PART, TO ANY UNAUTHORIZED PERSON OR ENTITY NOR REPRODUCED, TRANSFERRED OR INCORPORATED IN ANY OTHER PROJECT IN ANY MANNER WITHOUT THE EXPRESS WRITTEN CONSENT OF SAMTEC, INC.

DO NOT SCALE DRAWING

SHEET SCALE: 2:1

520 PARK EAST BLVD, NEW ALBANY, IN 47150
 PHONE: 812-944-6733 FAX: 812-948-5047
 e-Mail: info@SAMTEC.com code: 55322

DESCRIPTION:
 BNC RIGHT ANGLE JACK ASSEMBLY

DWG. NO.
 BNC7T-J-P-XX-RA-BH2D

BY: B. COOPER 11/5/2009 SHEET 2 OF 2