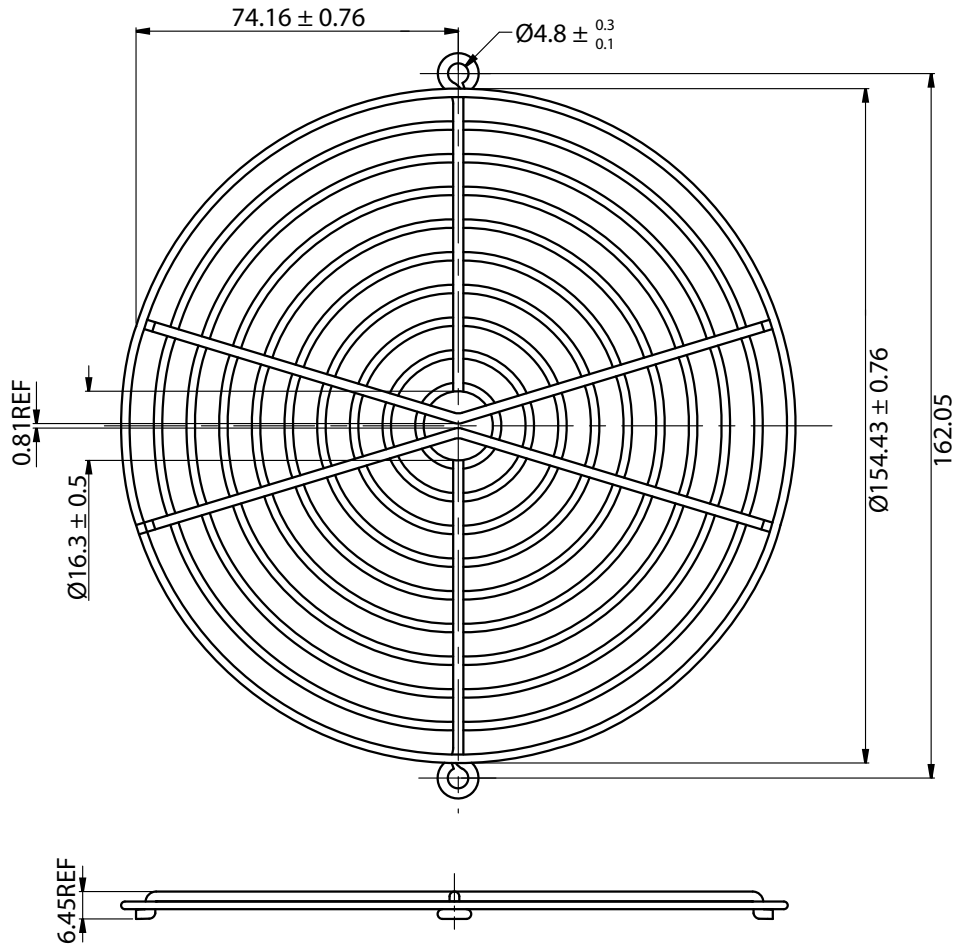


THESE DRAWINGS ARE THE PROPERTY OF QUALTEK ELECTRONICS AND NOT TO BE REPRODUCED FOR OR COMMUNICATED TO A THIRD PARTY WITHOUT THE EXPRESS WRITTEN PERMISSION OF AN OFFICER OF QUALTEK ELECTRONICS.

| REVISION | | | |
|----------|-----------------|----------|----------|
| REV. | DESCRIPTION | DATE | APPROVED |
| B | RoHS Compliancy | 06-01-06 | DP |
| | | | |
| | | | |



NOTES:

1. MATERIAL: C1008 BRIGHT BASIC WIRE
2. FINISH: BRIGHT NICKEL CHROME PLATING
3. 0.35 ± 0.05 DEPTH OF SERRATIONS ON WIRE
4. RING: $\varnothing 1.8 \pm 0.1$ mm
RIB: $\varnothing 2.3 \pm 0.1$ mm
5. GENERAL TOLERANCE UNLESS NOTED IS ± 0.5 mm
6. RoHS COMPLIANT

CONTROLLED

| Dim range (mm) | Tolerance +/- (mm) | Qualtek Electronics Corp. FAN-S DIVISION | | |
|----------------|--------------------|---|--|----------------|
| | | Part Number: 08126 | | RoHS Compliant |
| 0-5 | 0.1 | Description: WIRE FORM FAN GUARD (150mm) | | |
| 5-16 | 0.15 | UNIT: mm REV: B | | |
| 16-64 | 0.2 | Approved / Date | | |
| 64-250 | 0.4 | JH / 03-08-05 | | |
| 250-1000 | 0.5 | Approved / Date | | |
| 1000-1500 | 1.0 | JH / 03-08-05 | | |