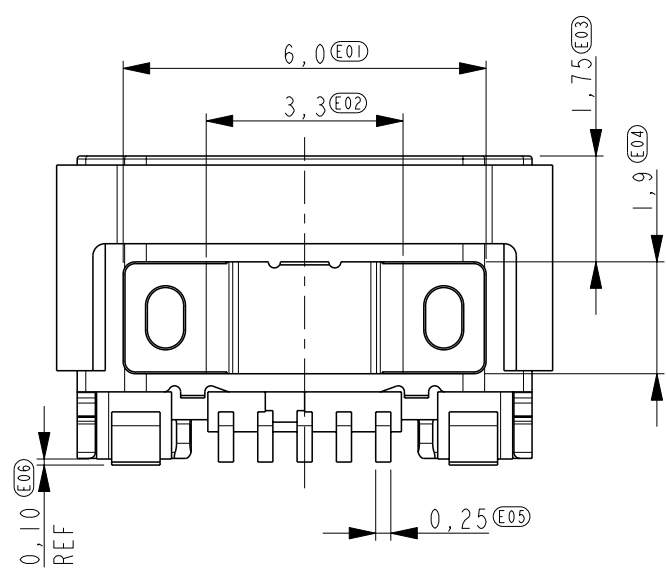
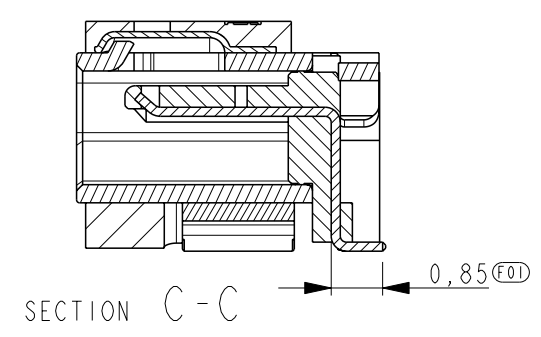
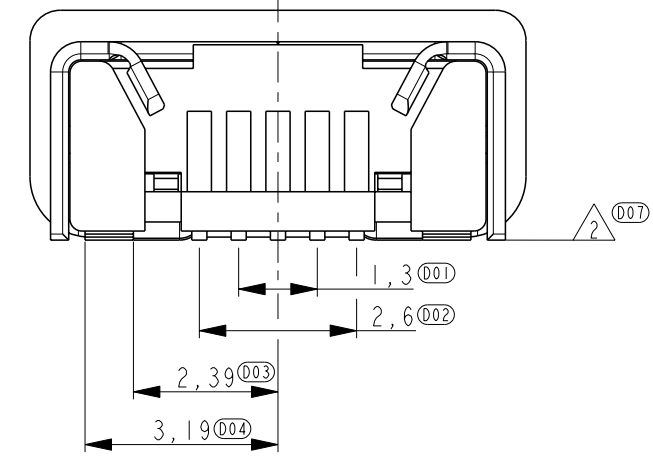
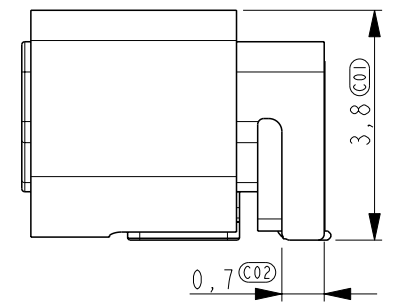
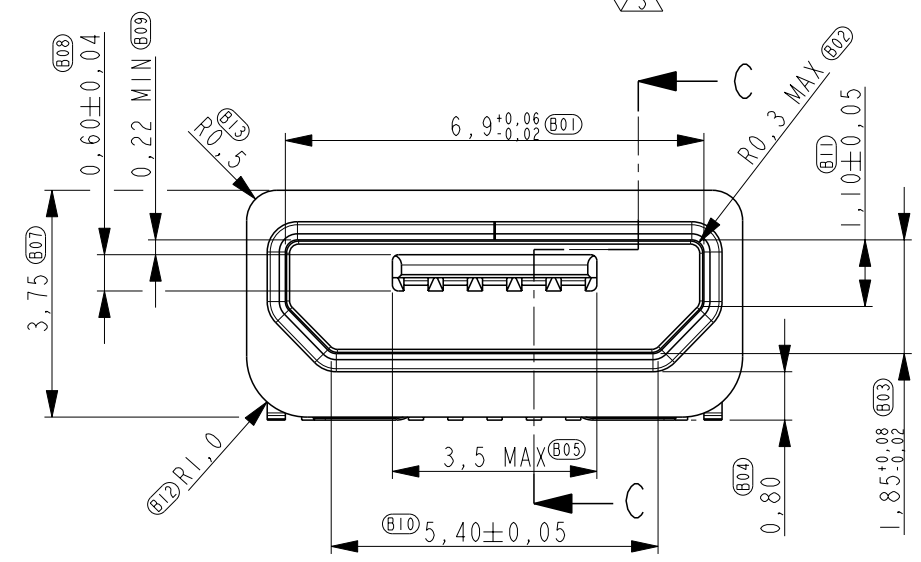
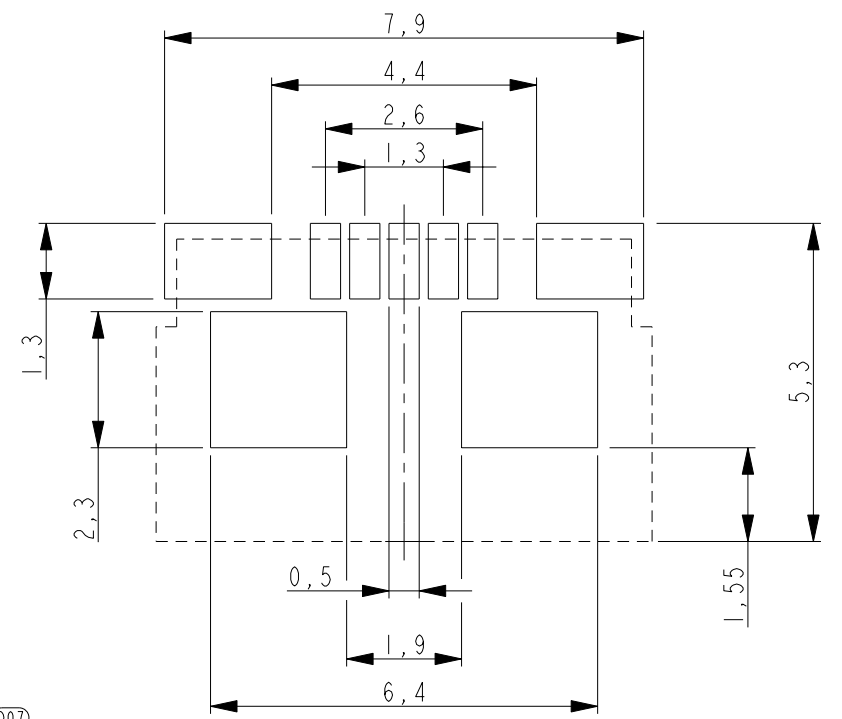
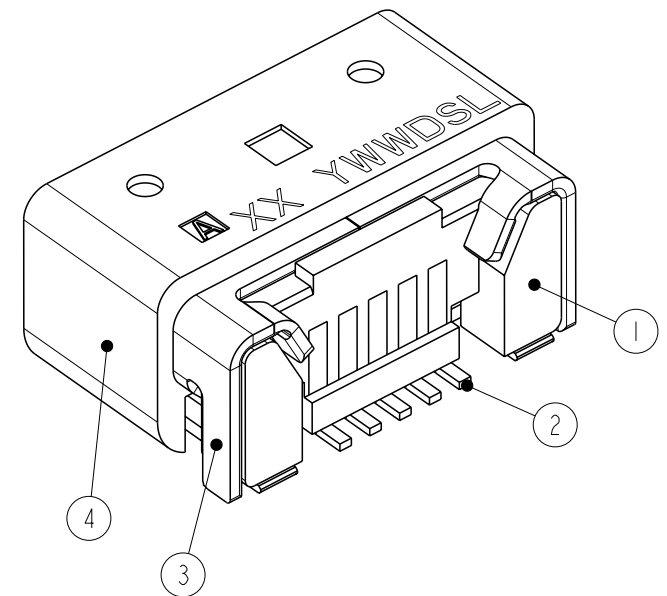
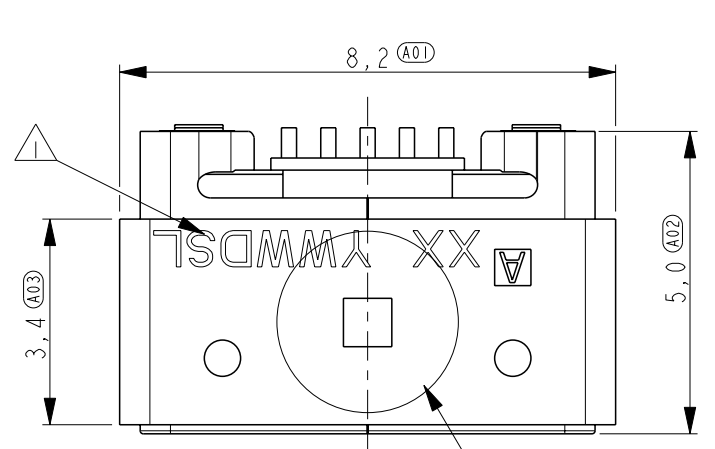


THIS DRAWING IS UNPUBLISHED. RELEASED FOR PUBLICATION 20
 © COPYRIGHT 20 ALL RIGHTS RESERVED.

LOC	DIST	REVISIONS				
P	LTR	DESCRIPTION	DATE	DWN	APVD	
-	-	I	FIRST ISSUE	18APR2013	WJ	DH
-	-	A	ECR-13-011357	17JUL2013	RK	MG



- NOTES:
- 1 VERSION: XX, PRODUCTION DATE: YWWD, SHIFT CODE: S, PRODUCTION LINE NO: L.
 - 2 COPLANARITY OF 11 SOLDER SURFACES 0,08 MAX AFTER 3X REFLOW.
 - 3 PICK AND PLACE AREA Ø3

TE PN: 2246077-1

THIS DRAWING IS A CONTROLLED DOCUMENT.

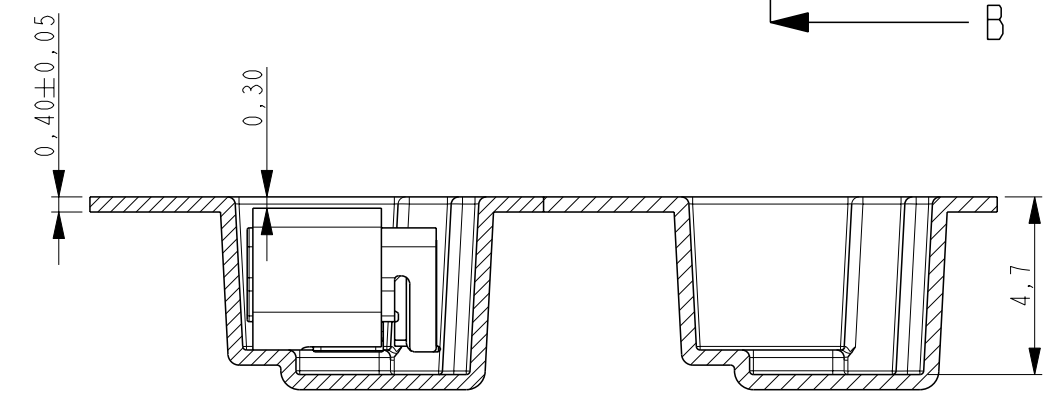
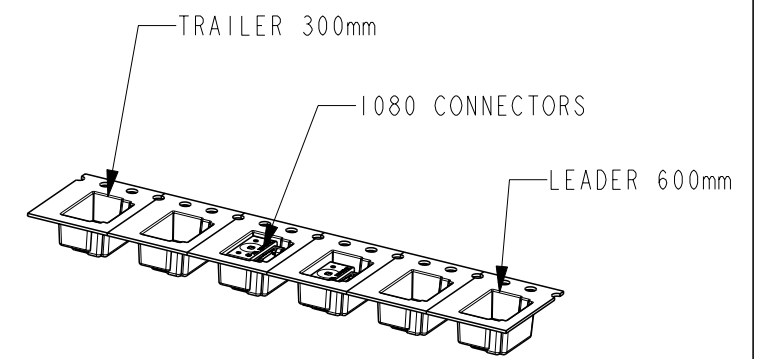
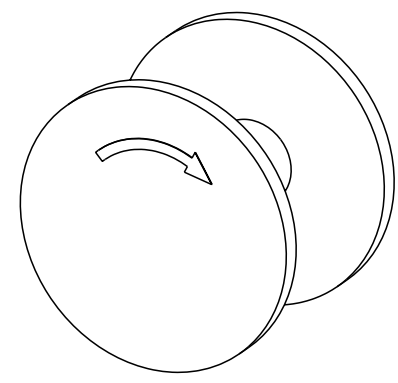
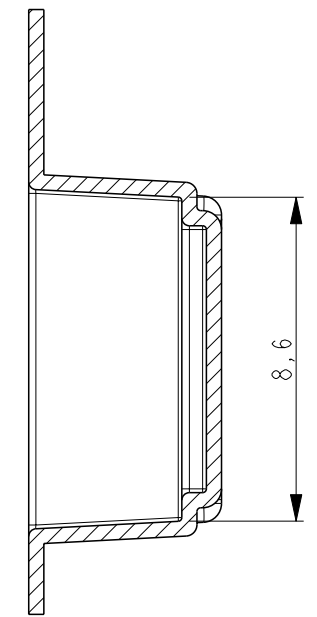
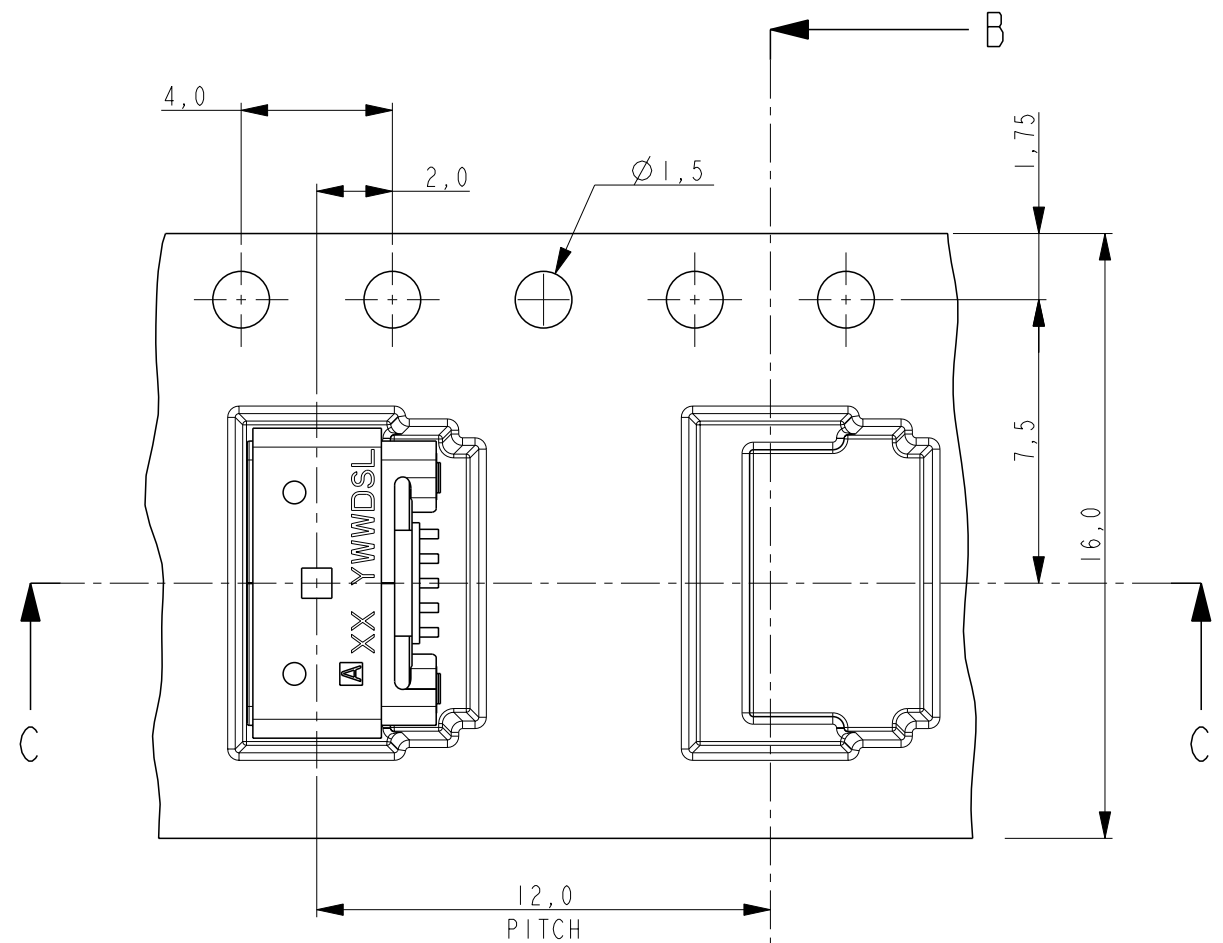
DIMENSIONS:	TOLERANCES UNLESS OTHERWISE SPECIFIED:
mm	
	0 PLC ±0,2
	1 PLC ±0,1
	2 PLC ±0,1
	3 PLC ±0,025
	4 PLC ±0,001
	ANGLES ±2°
MATERIAL	FINISH

ITEM NO.	DESCRIPTION	MATERIAL	FINISH
4	SLEEVE	LCP	
3	SHELL	STAINLESS STEEL	Tin over Nickel plating
2	CONTACT	COPPER ALLOY	Gold over Nickel plating
1	HOUSING	LCP	

DWN	18APR2013	 TE Connectivity	NAME SPLASH-PROOF MICRO USB B-TYPE 0,8 mm OFFSET				
CHK	18APR2013						
APVD	18APR2013						
PRODUCT SPEC	108-19460						
APPLICATION SPEC	-	SIZE	CAGE CODE	DRAWING NO	RESTRICTED TO		
WEIGHT	0,33gr	A3	00779	C-2246077	-		
CUSTOMER DRAWING	SCALE	8:1	SHEET	1	OF 3	REV	A


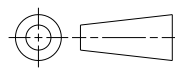
THIS DRAWING IS UNPUBLISHED. RELEASED FOR PUBLICATION 20
 © COPYRIGHT 20 ALL RIGHTS RESERVED.

LOC		DIST		REVISIONS			
P	LTR	DESCRIPTION	DATE	DWN	APVD		
-	-	SEE SHEET 1	-	-	-		

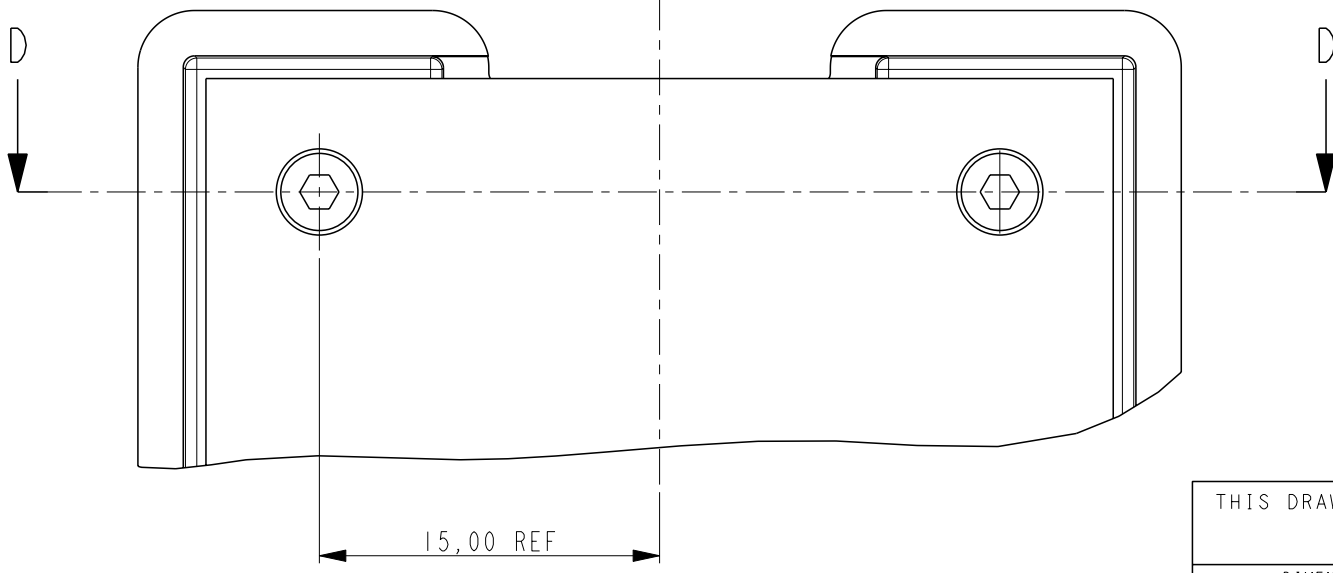
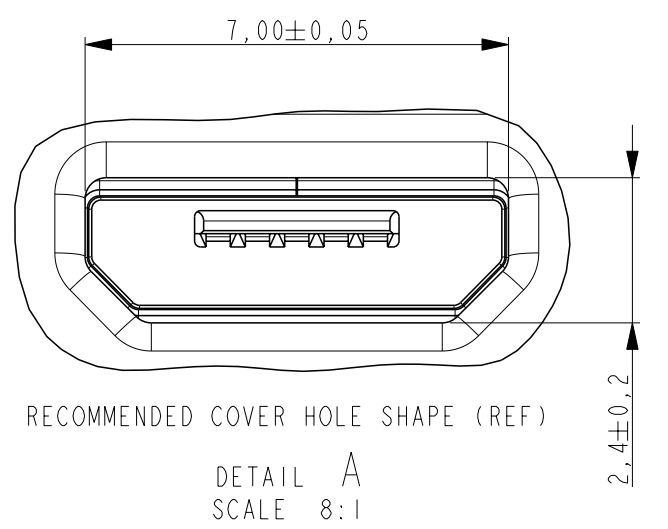
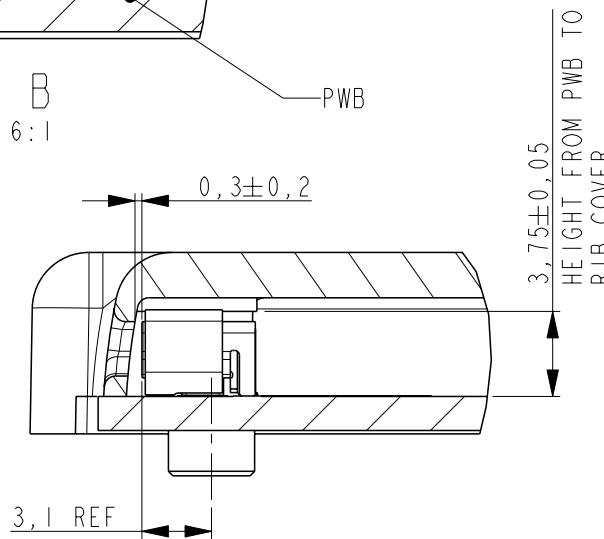
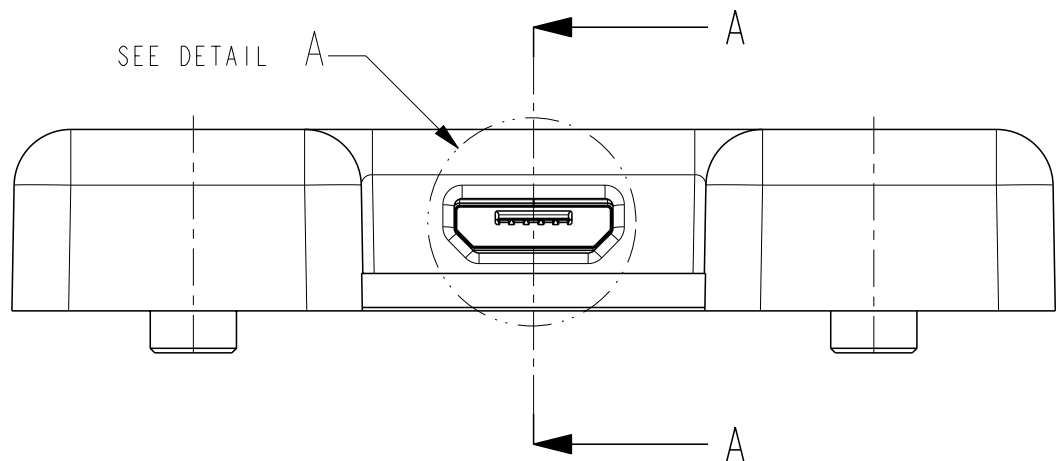
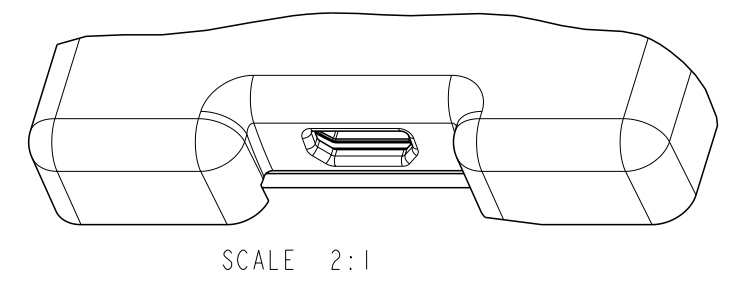
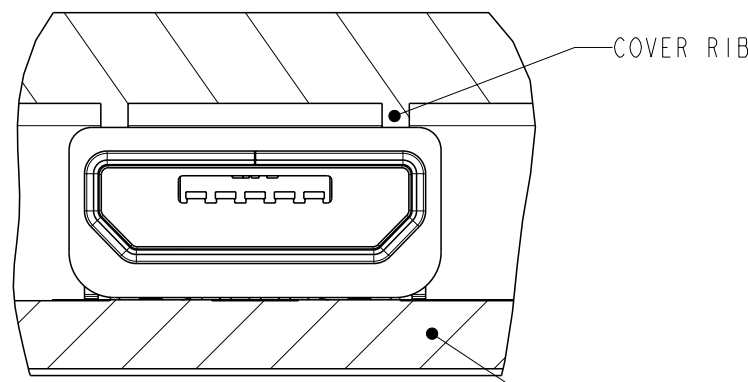
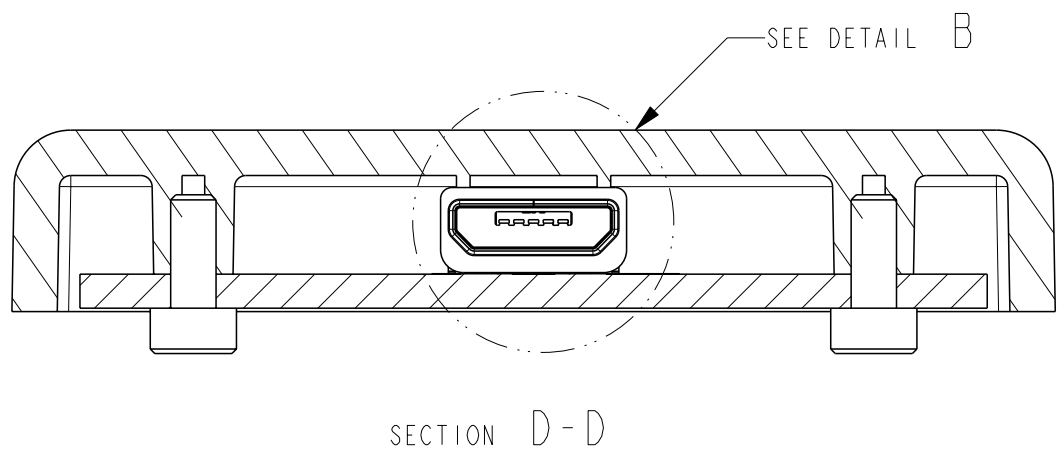


SECTION C-C

NOTES:
COVER, EMOSS TAPE AND REEL ACCODING EIA STANDARD 481-D

THIS DRAWING IS A CONTROLLED DOCUMENT.		DWN W. Jansen 18APR2013	 TE Connectivity NAME SPLASH-PROOF MICRO USB B-TYPE 0,8 mm OFFSET						
DIMENSIONS: mm		CHK W. Jansen 18APR2013				SIZE	CAGE CODE	DRAWING NO	RESTRICTED TO
		APVD D. Halberstadt 18APR2013				A3	00779	C=2246077	-
TOLERANCES UNLESS OTHERWISE SPECIFIED:		PRODUCT SPEC 108-19460				SCALE	SHEET	OF	REV
0 PLC $\pm 0,2$ 1 PLC $\pm 0,1$ 2 PLC $\pm 0,1$ 3 PLC $\pm 0,025$ 4 PLC $\pm 0,001$ ANGLES $\pm 2^\circ$		APPLICATION SPEC -	WEIGHT	5:1	2	3	A		
MATERIAL -		FINISH -	CUSTOMER DRAWING						

P	LTR	DESCRIPTION	DATE	DWN	APVD
-	-	SEE SHEET 1	-	-	-



RECOMMENDED PWB AND COVER ASSEMBLY (REF)

THIS DRAWING IS A CONTROLLED DOCUMENT.

DIMENSIONS: mm	TOLERANCES UNLESS OTHERWISE SPECIFIED:
	0 PLC ±0,2
	1 PLC ±0,1
	2 PLC ±0,1
	3 PLC ±0,025
	4 PLC ±0,001
	ANGLES ±2°
MATERIAL -	FINISH -

DWN	W. Jansen	18APR2013
CHK	W. Jansen	18APR2013
APVD	D. Halberstadt	18APR2013
PRODUCT SPEC	108-19460	
APPLICATION SPEC	-	
WEIGHT	0,33gr	A3
CUSTOMER DRAWING		

		TE Connectivity	
NAME			
SPLASH-PROOF MICRO USB B-TYPE 0,8 mm OFFSET			
SIZE	CAGE CODE	DRAWING NO	RESTRICTED TO
A3	00779	C-2246077	-
SCALE 3:1		SHEET 3 OF 3	REV A