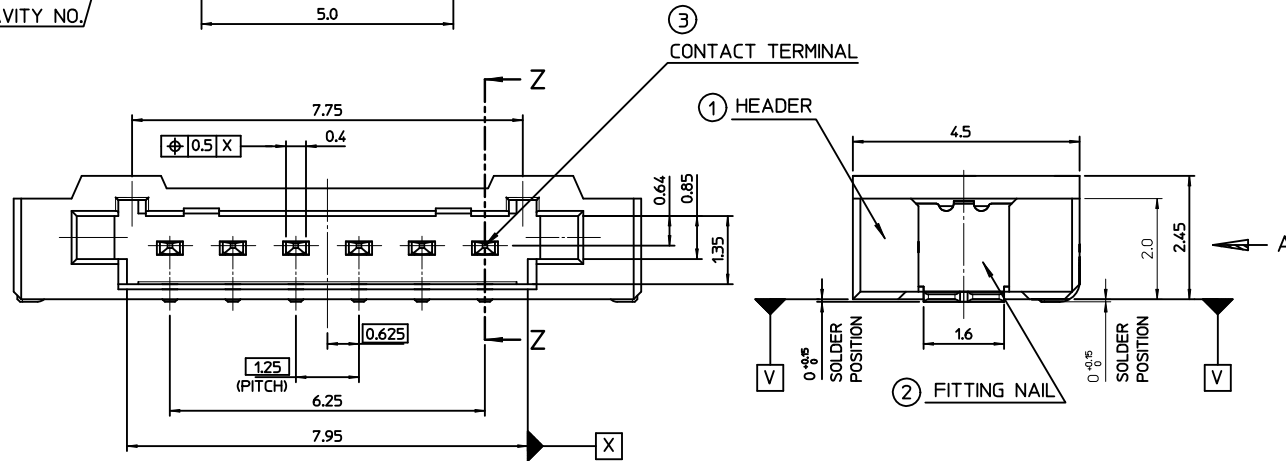
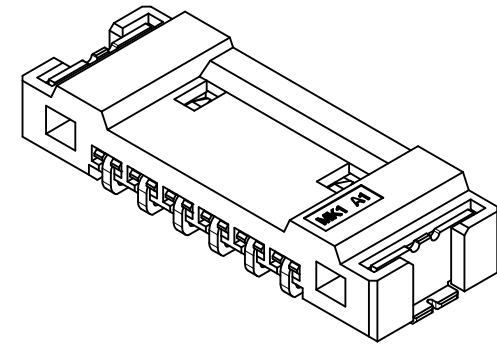
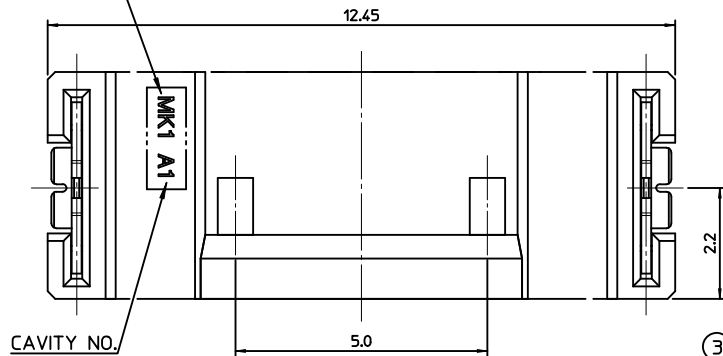
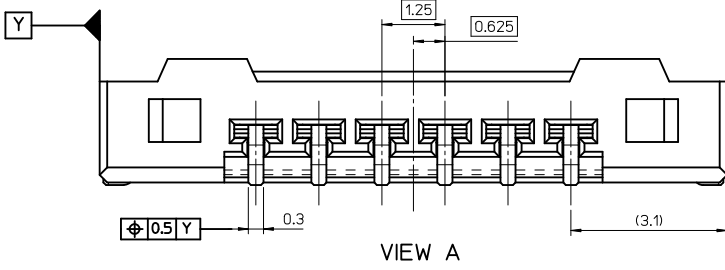


TRADE MARK



NOTE

1. MATED WITH : 104077-0600, 104077-0610
2. MATERIALS
 - ① - HEADER : LCP(E130I), GLASS FILLED, UL94V-0, HALOGEN FREE, COLOR OF NATURAL
 - ② - FITTING NAIL : PHOSPHOR BRONZE, 0.20mm THICKNESS
 - ③ - CONTACT TERMINAL : POSPHOR BRONZ, 0.25mm THICKNESS
3. FINISHES
 - ② - FITTING NAIL : PURE-TIN PLATING ON OVERALL. THICKNESS 3.0μm~5.0μm UNDER PLATING Ni OVERALL. THICKNESS 1.25μm~3.75μm
 - ③ - CONTACT TERMINAL : PURE-TIN PLATING ON OVERALL. THICKNESS 3.0μm~5.0μm UNDER PLATING Ni OVERALL. THICKNESS 1.25μm~3.75μm
4. COPLANALITY OF SOLDER TAILS (PEAK TEMP. : 260°C), BEFORE & AFTER REFLOW : 0.08MAX



NEW RELEASED
 EC NO: KOR2011-0057
 DRWN: CBCHIN 2010/12/02
 CHKD: SH. CHU 2010/12/02
 APPR: YUNSIKIM 2010/12/02

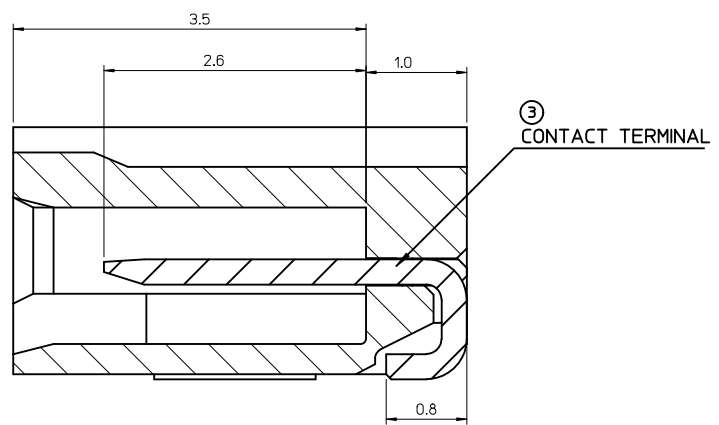
REV	DESCRIPTION
A	

QUALITY SYMBOLS	GENERAL TOLERANCES (UNLESS SPECIFIED)	
	mm	INCH
▽=0	4 PLACES ± ---	± ---
∇=0	3 PLACES ± ---	± ---
	2 PLACES ± 0.20	± ---
	1 PLACE ± 0.25	± ---
	ANGULAR ± 1 °	

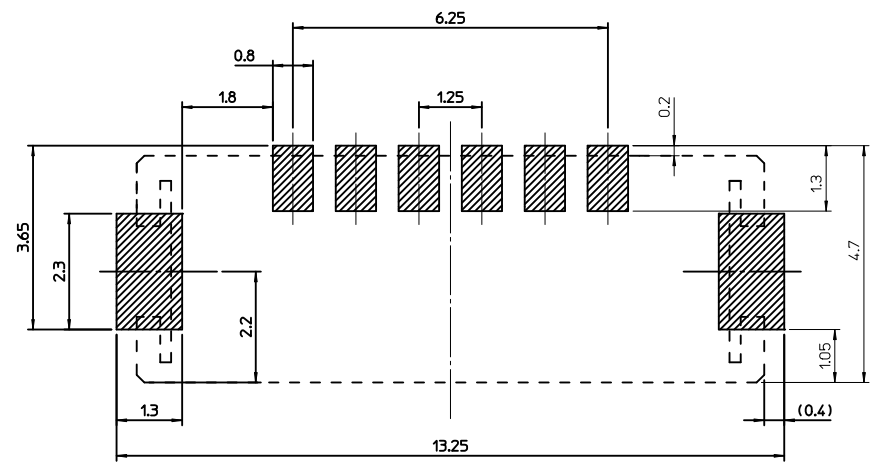
DIMENSION STYLE		SCALE	DESIGN UNITS
MM ONLY		10:1	METRIC
DRAWN BY	DATE	TITLE	
JB. JIN	2010/06/29	1.25 W-T-B CONN. HEADER ASS'Y-6P	
CHECKED BY	DATE		
SH. CHU	2010/06/29		
APPROVED BY	DATE		
YS00.KIM	2010/06/29		
MATERIAL NO.			
1040780610			

ORDER NUMBER	104078-0610
DESIGN UNITS	THIRD ANGLE PROJECTION
METRIC	
MOLEX INCORPORATED	
DOCUMENT NO.	SHEET NO.
SD-104078-001	1 OF 02

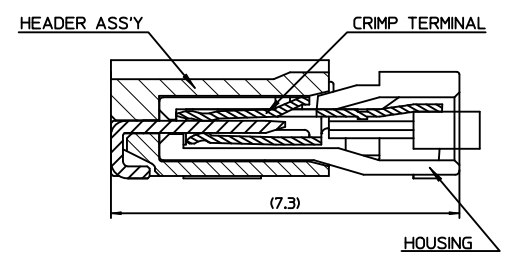
10 9 8 7 6 5 4 3 2 1



SECTION Z-Z (SCALE 20:1)



RECOMMEND PATTERN (REF.)
(GENERAL TOLERANCE ±0.05)



MATED CONDITION (REF.)

NEW RELEASED EC NO: KOR2011-0057 DRWN:CBCHN 2010/12/02 CHKD:SH.CHU 2010/12/02 APPR:YUNSIKKIM 2010/12/02	DESCRIPTION REV	QUALITY SYMBOLS	GENERAL TOLERANCES (UNLESS SPECIFIED)	DIMENSION STYLE	SCALE	DESIGN UNITS	THIRD ANGLE PROJECTION																									
		$\nabla = 0$ $\triangle = 0$	<table border="1"> <tr><th></th><th>mm</th><th>INCH</th></tr> <tr><td>4 PLACES</td><td>± ---</td><td>± ---</td></tr> <tr><td>3 PLACES</td><td>± ---</td><td>± ---</td></tr> <tr><td>2 PLACES</td><td>± 0.20</td><td>± ---</td></tr> <tr><td>1 PLACE</td><td>± 0.25</td><td>± ---</td></tr> </table>		mm	INCH	4 PLACES	± ---	± ---	3 PLACES	± ---	± ---	2 PLACES	± 0.20	± ---	1 PLACE	± 0.25	± ---	MM ONLY	10:1	METRIC											
			mm	INCH																												
		4 PLACES	± ---	± ---																												
3 PLACES	± ---	± ---																														
2 PLACES	± 0.20	± ---																														
1 PLACE	± 0.25	± ---																														
	<table border="1"> <tr><th></th><th>mm</th><th>INCH</th></tr> <tr><td>4 PLACES</td><td>± ---</td><td>± ---</td></tr> <tr><td>3 PLACES</td><td>± ---</td><td>± ---</td></tr> <tr><td>2 PLACES</td><td>± 0.20</td><td>± ---</td></tr> <tr><td>1 PLACE</td><td>± 0.25</td><td>± ---</td></tr> </table>		mm	INCH	4 PLACES	± ---	± ---	3 PLACES	± ---	± ---	2 PLACES	± 0.20	± ---	1 PLACE	± 0.25	± ---	<table border="1"> <tr><th></th><th>DATE</th><th>TITLE</th></tr> <tr><td>DRAWN BY</td><td>2010/06/29</td><td rowspan="4">1.25 W-T-B CONN. HEADER ASS'Y-6P</td></tr> <tr><td>CHECKED BY</td><td>2010/06/29</td></tr> <tr><td>APPROVED BY</td><td>2010/06/29</td></tr> <tr><td>DATE</td><td>2010/06/29</td></tr> </table>		DATE	TITLE	DRAWN BY	2010/06/29	1.25 W-T-B CONN. HEADER ASS'Y-6P	CHECKED BY	2010/06/29	APPROVED BY	2010/06/29	DATE	2010/06/29			
	mm	INCH																														
4 PLACES	± ---	± ---																														
3 PLACES	± ---	± ---																														
2 PLACES	± 0.20	± ---																														
1 PLACE	± 0.25	± ---																														
	DATE	TITLE																														
DRAWN BY	2010/06/29	1.25 W-T-B CONN. HEADER ASS'Y-6P																														
CHECKED BY	2010/06/29																															
APPROVED BY	2010/06/29																															
DATE	2010/06/29																															
		ANGULAR ± 1 °	DRAFT WHERE APPLICABLE MUST REMAIN WITHIN DIMENSIONS	<table border="1"> <tr><th>SIZE</th><th>MATERIAL NO.</th><th>DOCUMENT NO.</th><th>SHEET NO.</th></tr> <tr><td>A3</td><td>1040780610</td><td>SD-104078-001</td><td>2 OF 02</td></tr> </table>	SIZE	MATERIAL NO.	DOCUMENT NO.	SHEET NO.	A3	1040780610	SD-104078-001	2 OF 02	MOLEX INCORPORATED			THIS DRAWING CONTAINS INFORMATION THAT IS PROPRIETARY TO MOLEX INCORPORATED AND SHOULD NOT BE USED WITHOUT WRITTEN PERMISSION																
SIZE	MATERIAL NO.	DOCUMENT NO.	SHEET NO.																													
A3	1040780610	SD-104078-001	2 OF 02																													

9 8 7 6 5 4 3 2 1

