

6

5

4

3

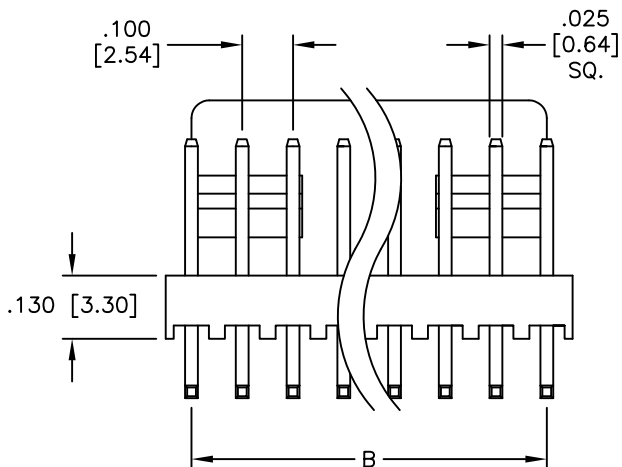
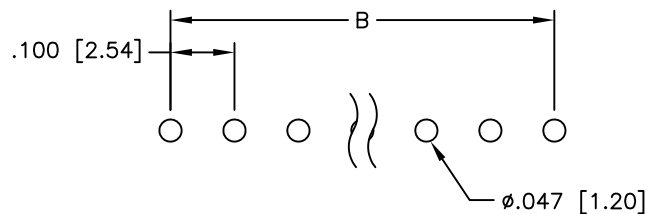
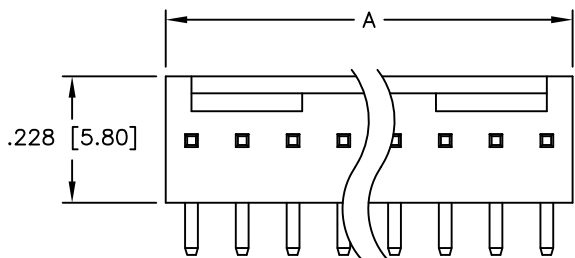
2

1

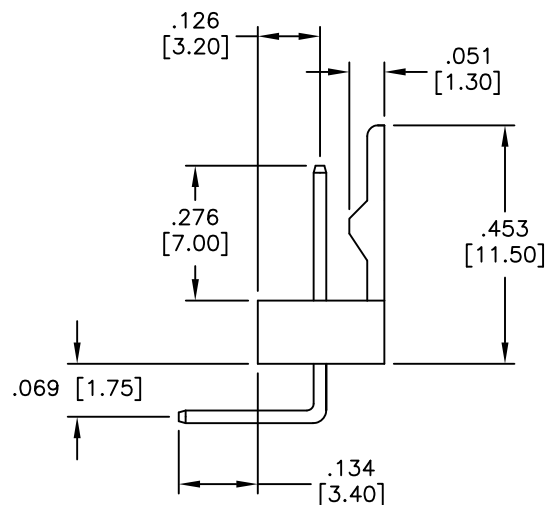
APPROVED: \_\_\_\_\_

DATE: \_\_\_\_\_ TITLE: \_\_\_\_\_

Rev	AWO #	Description	Date	Appr
-		RELEASED	4/8/05	



PCB LAYOUT



SPECIFICATIONS:

Material:  
 Insulator: Nylon 66, rated UL 94V-2  
 Insulator color: White  
 Contacts: Brass  
 Plating:  
 Tin over Copper underplate overall  
 Electrical:  
 Operating voltage: 250 VAC max  
 Current rating: 3 Amps max  
 Dielectric withstanding voltage: 1,500 VAC for 1 minute  
 Temperature Rating:  
 Operating temperature: -40°C to +105°C  
 Environmental:  
 Lead free, RoHS compliant



Positions: 2 thru 20

A = .100 [2.54] x No. of Positions

B = .100 [2.54] x No. of Spaces

UNLESS OTHERWISE SPECIFIED  
 ALL DIMENSIONS ARE INCHES [MM]  
 TOLERANCES: EXCEPT AS NOTED

INCHES	HOLES
.X ± .10	$\phi$ .X ± .10
.XX ± .020	$\phi$ .XX ± .015
.XXX ± .015	$\phi$ .XXX ± .010

**ADAM TECH**

909 Rahway Avenue, Union, NJ 07083  
 Phone: 908-687-5000 Fax: 908-687-5710

TITLE  
**.100 [2.54] LOCKING HEADER  
 RIGHT ANGLE, PCB**

APPROVALS		DATE
DRAWN	SS	4/8/05
CHECKED		
APPROVED		

SIZE <b>X</b>	PART NO. <b>LHA-XX-TRA</b>	REV. -
REF: S00123T	SCALE: NTS	SHEET 1 OF 1

6

5

4

3

2

1