

HC-Q-I-RJ45-08-M - Contact insert



1077117

<https://www.phoenixcontact.com/pc/products/1077117>

Please be informed that the data shown in this PDF document is generated from our online catalog. Please find the complete data in the user documentation. Our general terms of use for downloads are valid.

Contact insert, number of positions: RJ45, size: D7, type : RJ45, Pin, 50 V, 1 A, application: Data, With RJ45 contact insert



Commercial data

Item number	1077117
Packing unit	1 pc
Minimum order quantity	1 pc
Product key	BF7ABJ
Catalog page	Page 513 (C-2-2019)
GTIN	4055626788814
Weight per piece (including packing)	11.2 g
Weight per piece (excluding packing)	9.5 g
Customs tariff number	85366990
Country of origin	CN

HC-Q-I-RJ45-08-M - Contact insert



1077117

<https://www.phoenixcontact.com/pc/products/1077117>

Technical data

Notes

General	Connectors may be operated only when there is no load/voltage.
---------	--

Mounting

Connection method	Crimp connection
-------------------	------------------

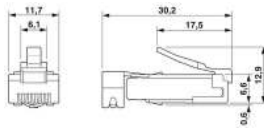
Product properties

Type	D7
Product type	Contact insert with a fixed no. of positions
Sensor type	Ethernet
Number of positions	8
Connection profile	RJ45
Application	Data
Type	RJ45
Series	HC-Q

Insulation characteristics

Overvoltage category	III
Degree of pollution	3

Dimensions

Dimensional drawing	
Width	21 mm
Height	22 mm
Length	21 mm

Connection data

Connection technology

Connection in acc. with standard	IEC / EN
----------------------------------	----------

Conductor connection

Connection cross section AWG	24 ... 27 (flexible)
Tightening torque	0.5 Nm ... 0.8 Nm (Mounting screws for mounting in the HEAVYCON housing)

Electrical properties

Rated voltage (III/3)	50 V
Rated surge voltage	0.8 kV
Rated current	1 A

HC-Q-I-RJ45-08-M - Contact insert



1077117

<https://www.phoenixcontact.com/pc/products/1077117>

Nominal voltage U_N	50 V
Transmission characteristics (category)	CAT6 _A (IEC 60512-27-100:2008, TIA-568-C.2:2009)

Material specifications

Flammability rating according to UL 94	V0
Contact material	Copper alloy
Contact surface material	Au
Contact carrier material	PC
Standards/regulations	PC: Fire protection in rail vehicles - requirement sets R22, R23, and R24 acc. to DIN EN 45545-2 (Risk level HL1 - HL3)

Environmental and real-life conditions

Ambient conditions

Ambient temperature (operation)	-25 °C ... 60 °C
---------------------------------	------------------

Standards and regulations

Testing

Standards/regulations	PC: Fire protection in rail vehicles - requirement sets R22, R23, and R24 acc. to DIN EN 45545-2 (Risk level HL1 - HL3)
-----------------------	---

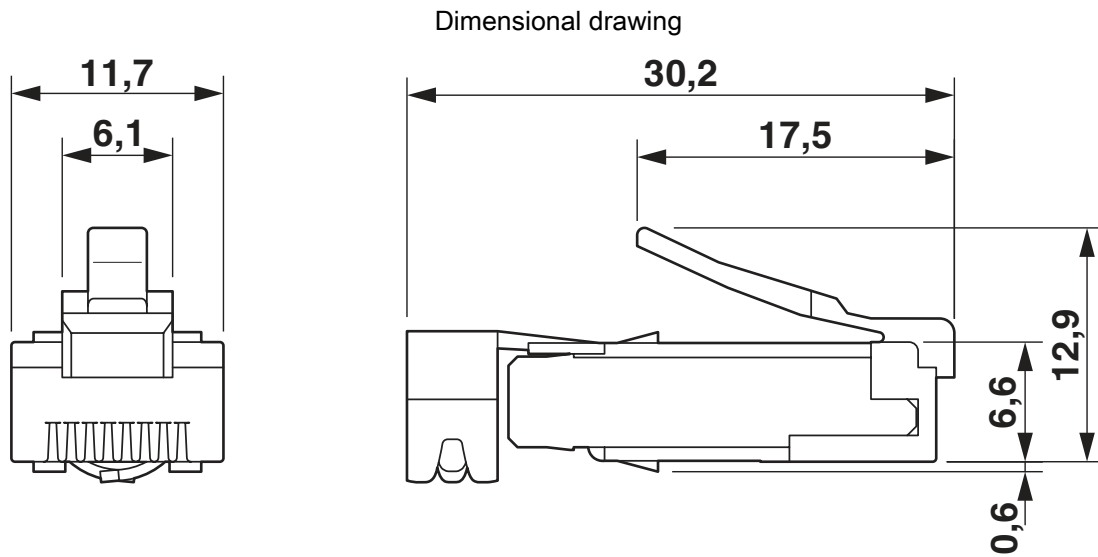
HC-Q-I-RJ45-08-M - Contact insert



1077117

<https://www.phoenixcontact.com/pc/products/1077117>

Drawings



RJ45 male insert

HC-Q-I-RJ45-08-M - Contact insert



1077117

<https://www.phoenixcontact.com/pc/products/1077117>

Approvals

To download certificates, visit the product detail page: <https://www.phoenixcontact.com/pc/products/1077117>



EAC

Approval ID: RU C-DE.BL08.B.00511

HC-Q-I-RJ45-08-M - Contact insert



1077117

<https://www.phoenixcontact.com/pc/products/1077117>

Classifications

ECLASS

ECLASS-11.0	27440205
ECLASS-12.0	27440205
ECLASS-13.0	27440205

ETIM

ETIM 8.0	EC000438
----------	----------

UNSPSC

UNSPSC 21.0	39121500
-------------	----------

HC-Q-I-RJ45-08-M - Contact insert



1077117

<https://www.phoenixcontact.com/pc/products/1077117>

Environmental product compliance

China RoHS	Environmentally friendly use period: unlimited = EFUP-e
	No hazardous substances above threshold values

HC-Q-I-RJ45-08-M - Contact insert

1077117

<https://www.phoenixcontact.com/pc/products/1077117>

Accessories

HC-D 7-DS-IP65 - Sealing screw

1686229

<https://www.phoenixcontact.com/pc/products/1686229>



Sealing screw, size: Countersunk head, IP67, replacement part for D7 size HEAVYCON housing

VS-08-RJ45-10G/C - RJ45 male insert

1418853

<https://www.phoenixcontact.com/pc/products/1418853>



Male insert RJ45, CAT6_A, 10 Gigabit

HC-Q-I-RJ45-08-M - Contact insert

1077117

<https://www.phoenixcontact.com/pc/products/1077117>



HC-Q-I-RJ45 GC-F/F - Contact insert

1422590

<https://www.phoenixcontact.com/pc/products/1422590>



Contact insert, number of positions: RJ45, size: D7, type : RJ45, Socket, 50 V, 1 A, application: Data, Gender changer

VS-CT-RJ45-H - Crimping pliers

1653265

<https://www.phoenixcontact.com/pc/products/1653265>



Crimp tool, pliers with die, for RJ45 pin inserts VS-08-ST-H...-RJ45 and VS-08-RJ45-10G/C

Phoenix Contact 2023 © - all rights reserved
<https://www.phoenixcontact.com>

PHOENIX CONTACT GmbH & Co. KG
Flachsmarktstraße 8
D-32825 Blomberg
+49 (0) 5235-3 00
info@phoenixcontact.com