

PART NO.	ENGINEERING NO.	FINISHED LENGTH
1300062144	104007A01M020	2.0M [6'7"]
1300062609	104007A01M017	1.7M [5'7"]

**CABLE LENGTH TOLERANCES**

<.3M [1FT]: +19mm-0 [+ .75in-0]

.3 - .9M [1 - 3FT]: +44.5mm-0 [+1.75in-0]

.9 - 1.8M [3 - 6FT]: +55.6mm-0 [+2.19in-0]

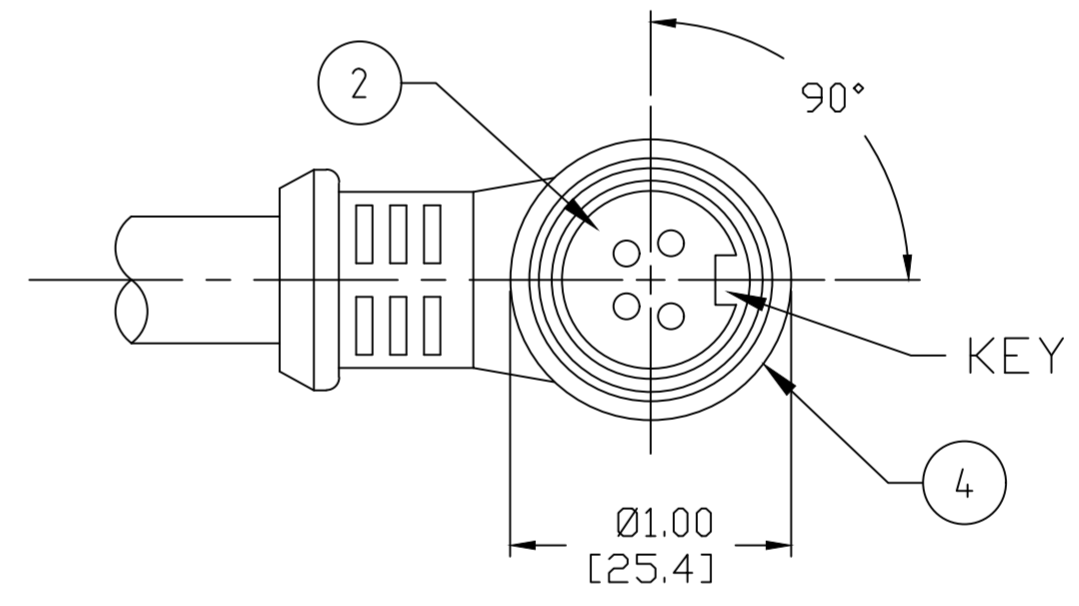
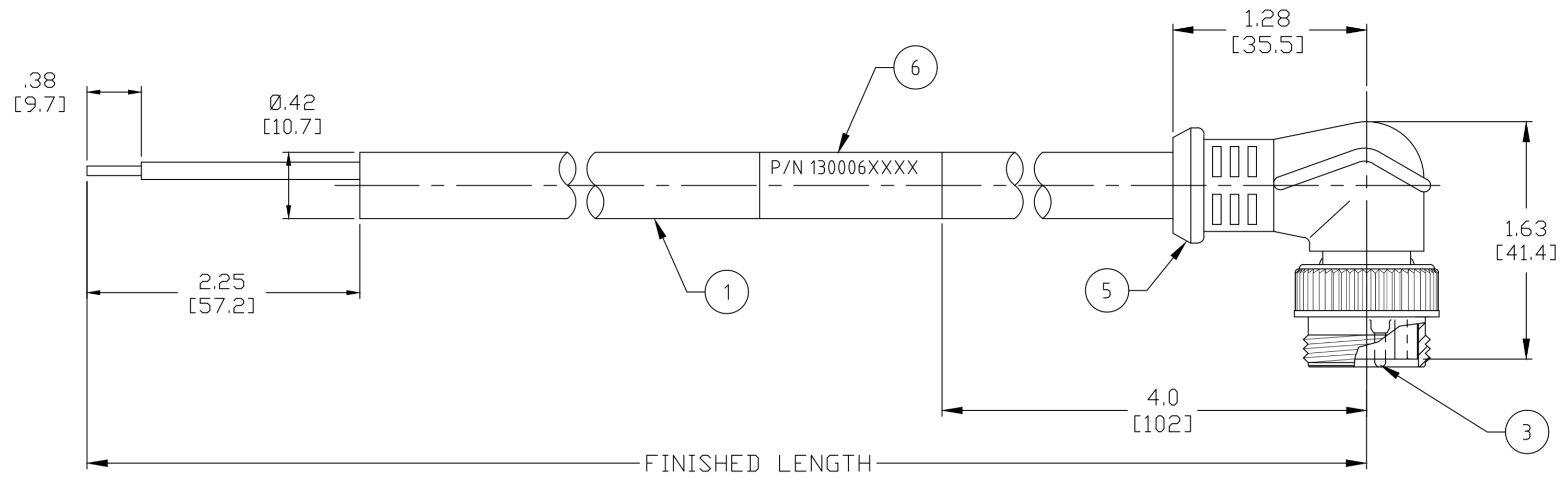
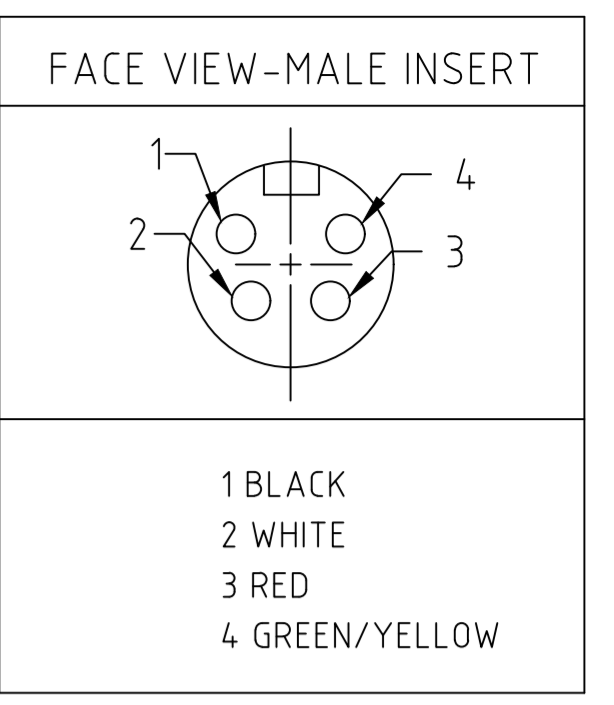
1.8 - 3.7M [6 - 12FT]: +88.9mm-0 [+3.50in-0]

3.7 - 7.3M [12 - 24FT]: +165.1mm-0 [+6.50in-0]

7.3-14.6M [24 - 48FT]: +317.5mm-0 [+12.50in-0]

14.6 - 30.5M [48-100FT]: +622.3mm-0 [+24.50in-0]

OVER 30M [100FT] +2% OF FINISHED LENGTH



- NOTES:**
- MATERIAL: AS NOTED
  - FINISH: AS NOTED
  - ELECTRICAL:  
VOLTAGE: 483V PER IEC 60664  
600V PER UL 2238  
CURRENT: 10A
  - TEMP RATING: -20°C TO +105°C
  - PROTECTION: IP67 (WHEN MATED)
  - COUPLING THREAD: 7/8-16 UN
  - UL RECOGNIZED FILE: E152210  
CSA CERTIFIED FILE: LR6837
  - ALL DIMS ARE FOR REFERENCE UNLESS TOLERANCED OR NOTED OTHERWISE

**PART NUMBER LEGEND**

104007A01M020

FINISHED LENGTH:  
M005= 0.5 METER  
M010= 1.0 METER  
M100= 10.0 METERS

ITEM	DESCRIPTION	MATERIAL	FINISH
6	WRAP LABEL	VINYL	BLACK/YELLOW
5	OVERMOLD	TPE	YELLOW
4	COUPLING, MALE	ZINC-DIE-CAST	BLACK E-COAT
3	CONTACT PIN	Cu ALLOY	GOLD PLATED
2	INSERT, MALE	TPE	YELLOW
1	CABLE, 16 AWG, PVC	PVC JACKET	YELLOW

<b>FUNCTIONAL SYMBOLS</b> FA=0 EC=0 EP=0 <b>DIVISIONAL SYMBOLS</b>	THIS DRAWING CONTAINS INFORMATION THAT IS PROPRIETARY TO MOLEX ELECTRONIC TECHNOLOGIES, LLC AND SHOULD NOT BE USED WITHOUT WRITTEN PERMISSION		CURRENT REV DESC: OBSOLETE PART NUMBER AS PER PCN#509457.	
	DIMENSION UNITS	SCALE	EC NO: 680890	
	INCH/MM	1:1	DRWN: SANTHN	2021/08/09
	GENERAL TOLERANCES (UNLESS SPECIFIED)		CHK'D: SANTHN	2021/11/08
4 PLACES ±----		APPR: GGA	2021/11/25	
3 PLACES ±----		INITIAL REVISION:		
2 PLACES ±----		DRWN: RSTONE	2020/11/17	
1 PLACE ±----		APPR: BWOODMAN	2020/11/30	
0 PLACES ±----		THIRD ANGLE PROJECTION		
ANGULAR TOL ± ---- °		DRAWING	SERIES	
DRAFT WHERE APPLICABLE MUST REMAIN WITHIN DIMENSIONS		C-SIZE	130006	
DOCUMENT STATUS		DOCUMENT NUMBER	DOC TYPE/DOC PART/REVISION	
P1	RELEASE DATE 2021/11/25 12:17:16	1300062609	PSD 000 B	
MATERIAL NUMBER		CUSTOMER	SHEET NUMBER	
SEE P/N LEGEND		GENERAL MARKET	1 OF 1	