

- 1
- 2
- 3
- 4
- 5
- 6
- 7
- 8
- 9
- 10
- 11
- 12
- 13
- 14
- 15
- 16
- 17
- 18

MATERIAL

Glass-fibre reinforced polyamide based (PA) technopolymer, black colour, matte finish.

STANDARD EXECUTION

Boss H7 reamed through hole.

- **VDSC-GXX2+I**: with revolving handle I.621+x (see page 665) in polyamide based (PA) technopolymer, black colour, matte finish. Black-oxide steel boss.
- **VDSC-GXX2-SST+I**: with revolving handle I.621+x (see page 665) in polyamide based (PA) technopolymer, black colour, matte finish. AISI 303 stainless steel boss.
- **VDSC-GXX2+IR**: with fold-away handle IR.620 (see page 674) in polyamide based (PA) technopolymer, black colour, matte finish. Black-oxide steel boss.
- **VDSC-GXX2-SST+IR**: with fold-away handle IR.620 (see page 674) in polyamide based (PA) technopolymer, black colour, matte finish. AISI 303 stainless steel boss.

INDICATOR CHOICE (TO BE ORDERED SEPARATELY)

VDSC-XX solid handwheels can be used with analogue and digital-analogue gravity indicators. To choose the indicator see the table below for possible assembly with indicators. See also "Assembly instructions for gravity indicators type G". (on page 724).

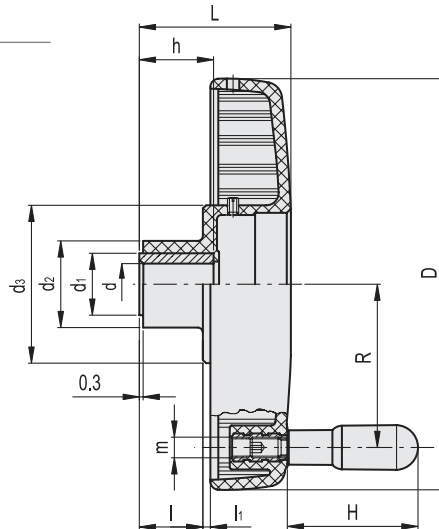
ACCESSORIES ON REQUEST

Closing cap CP-XX (see page 753) for use without the indicator.



ELESA Original design

VDSC-GXX2+I
VDSC-GXX2-SST+I



Conversion Table	
1 mm = 0.039 inch	
D	
mm	inch
125	4.92
200	7.87

VDSC-GXX2+I

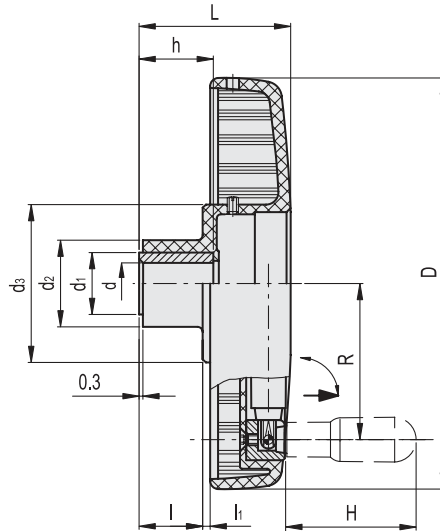
Code	Description	D	L	dH7	h	d1	d2	d3	I	l1	H	m	R	⚖	Handwheel/indicator combinations
CE.34015	VDSC.125-GXX2 A-8+I	125	63	8	22	22	35	76	22	14	65	M8	48.5	292	GA02 - GA12 - GW12
CE.34021	VDSC.125-GXX2 A-10+I	125	63	10	22	22	35	76	22	14	65	M8	48.5	290	GA02 - GA12 - GW12
CE.34075	VDSC.200-GXX2 A-16+I	200	70.5	16	34	30	42	76	30	2	90	M10	80	684	GA02 - GA12 - GW12
CE.34081	VDSC.200-GXX2 A-20+I	200	70.5	20	34	30	42	76	30	2	90	M10	80	680	GA02 - GA12 - GW12

VDSC-GXX2+I-SST

Code	Description	D	L	dH7	h	d1	d2	d3	I	l1	H	m	R	⚖	Handwheel/indicator combinations
CE.34017	VDSC.125-GXX2 SST-8+I	125	63	8	22	22	35	76	22	14	65	M8	48.5	293	GA02 - GA12 - GW12
CE.34023	VDSC.125-GXX2 SST-10+I	125	63	10	22	22	35	76	22	14	65	M8	48.5	291	GA02 - GA12 - GW12
CE.34077	VDSC.200-GXX2 SST-16+I	200	70.5	16	34	30	42	76	30	2	90	M10	80	685	GA02 - GA12 - GW12
CE.34083	VDSC.200-GXX2 SST-20+I	200	70.5	20	34	30	42	76	30	2	90	M10	80	681	GA02 - GA12 - GW12



VDSC-GXX2+IR
VDSC-GXX2-SST+IR



Conversion Table	
1 mm = 0.039 inch	
D	
mm	inch
160	6.30
200	7.87

VDSC-GXX2+IR

METRIC

Code	Description	D	L	dH7	h	d1	d2	d3	l	li	H	R	⚖	Handwheel/indicator combinations
CE.34045	VDSC.160-GXX2 A-10+IR	160	66	10	30	26	38.5	77	25.5	7.5	60	63	437	GA02 - GA12 - GW12
CE.34051	VDSC.160-GXX2 A-12+IR	160	66	12	30	26	38.5	77	25.5	7.5	60	63	435	GA02 - GA12 - GW12
CE.34085	VDSC.200-GXX2 A-16+IR	200	77	16	36	40	49	77	35	4	80	77	784	GA02 - GA12 - GW12
CE.34091	VDSC.200-GXX2 A-20+IR	200	77	20	36	40	49	77	35	4	80	77	780	GA02 - GA12 - GW12

VDSC-GXX2-SST+IR

INOX STAINLESS STEEL METRIC

Code	Description	D	L	dH7	h	d1	d2	d3	l	li	H	R	⚖	Handwheel/indicator combinations
CE.34047	VDSC.160-GXX2 SST-10+IR	160	66	10	30	26	38.5	77	25.5	7.5	60	63	438	GA02 - GA12 - GW12
CE.34053	VDSC.160-GXX2 SST-12+IR	160	66	12	30	26	38.5	77	25.5	7.5	60	63	436	GA02 - GA12 - GW12
CE.34087	VDSC.200-GXX2 SST-16+IR	200	77	16	36	40	49	77	35	4	80	77	785	GA02 - GA12 - GW12
CE.34093	VDSC.200-GXX2 SST-20+IR	200	77	20	36	40	49	77	35	4	80	77	781	GA02 - GA12 - GW12