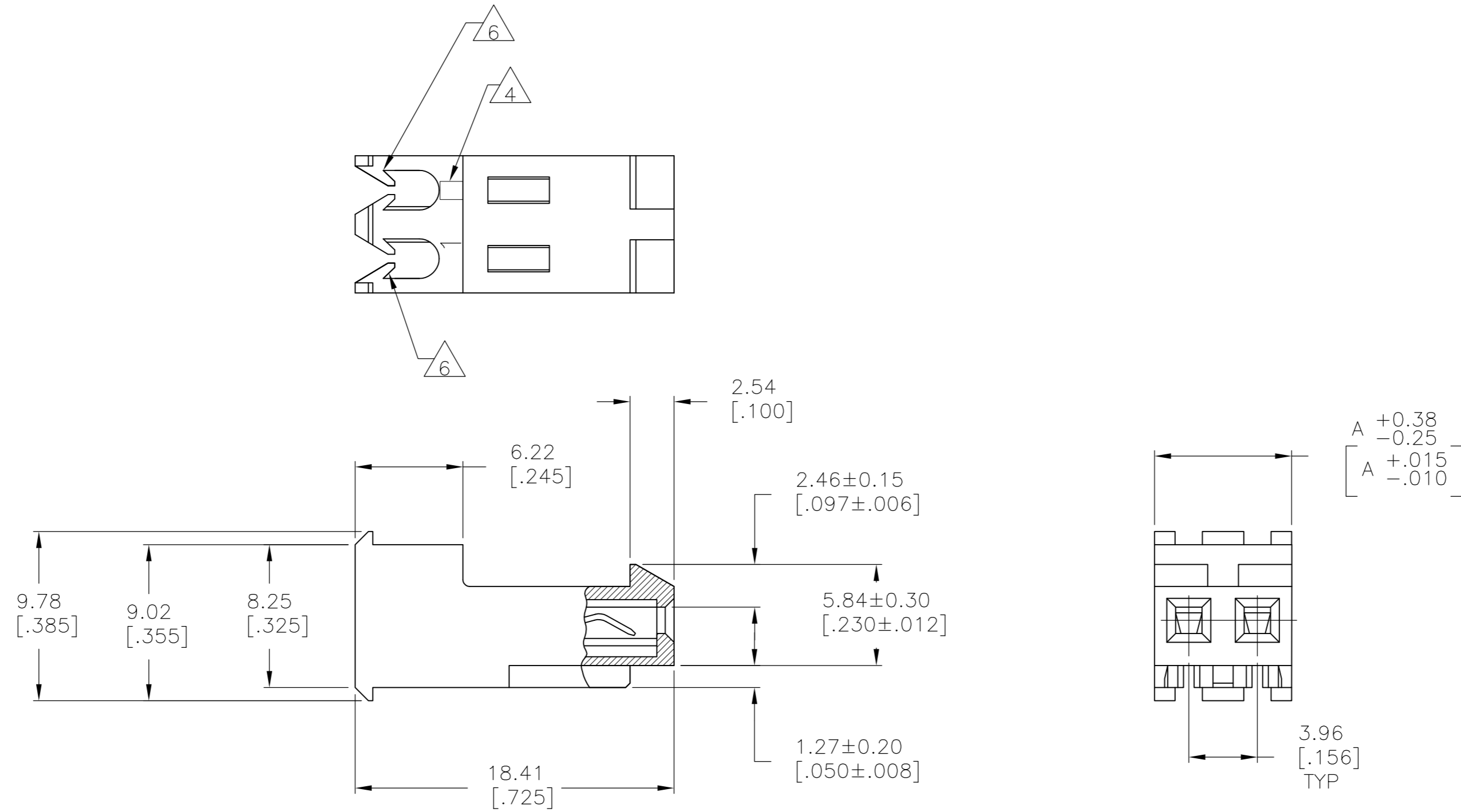


THIS DRAWING IS UNPUBLISHED. RELEASED FOR PUBLICATION
 © COPYRIGHT - TE Connectivity Ltd. ALL RIGHTS RESERVED.

REVISIONS				
P	LTR	DESCRIPTION	DATE	APVD
D		REVISED PER ECR-17-018335	22JAN2018	BDA SG



1 MATERIAL: CONNECTOR- NYLON UL94V-2 (ORANGE)
 CONTACTS - 0.30[.012] THICK COPPER ALLOY BRIGHT TIN-LEAD
 0.00203[.000080] MIN THICK FOR -2 THRU -28
 - 0.30[.012] THICK COPPER ALLOY MATTE WHISKER
 MITIGATED TIN 0.00203[.000080] MIN THICKNESS
 OVER NICKEL UNDERPLATE FOR -32 THRU -58.

2. CONTACTS ACCEPT 18 AWG WIRE WITH 2.41 [.095] MAXIMUM INSULATION DIAMETER.

3. CONTACTS MUST ACCEPT 1.14±0.03 [.045±.001] SQUARE POST AND REMAIN LOCKED IN POSITION.

4 IDENTIFICATION NUMBER FOR LAST CIRCUIT MAY NOT APPEAR ON ALL ASSEMBLIES.

5. HOUSING FEATURES ARE: FEED THRU WITH LOCKING RAMP.

6 CONNECTOR HAS STRAIN RELIEF TINES IN ALL POSITIONS. STANDARD CONNECTOR LACKS TINES ON ONE SIDE OF OUTSIDE WALLS OF HOUSING.

7 OBSOLETE PARTS

	TIN	7.92 [.312]	2	3-647463-2
7	SUPERSEDED	TIN-LEAD	7.92 [.312]	2
	FINISH	DIM A	NO. OF CIRCUITS	PART NO.

THIS DRAWING IS A CONTROLLED DOCUMENT.		DWN	20FEB02	TE Connectivity Ltd.	
DIMENSIONS: mm [INCHES]		CHK	20FEB02		
TOLERANCES UNLESS OTHERWISE SPECIFIED:		APVD	20FEB02	NAME	
0 PLC	± -	D. BOSSI		MTA-156 CONNECTOR ASSEMBLY	
1 PLC	± -	D. BOSSI		18 AWG, SPECIAL	
2 PLC	± -	PRODUCT SPEC		-	
3 PLC	± 0.13 [.005]	APPLICATION SPEC		-	
4 PLC	± -	-		-	
ANGLES	± -	-		-	
MATERIAL	FINISH	WEIGHT	SIZE	CAGE CODE	DRAWING NO
-	-	-	A2	00779	C=647463
CUSTOMER DRAWING			SCALE	SHEET	REV
			4:1	1 of 1	D