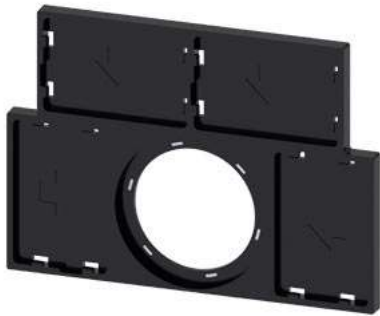


Label holder, flat, black, for 4 labeling plates 17.5 mm x 27 mm, for snapping on



product brand name	SIRIUS ACT
product designation	Label holder
design of the product	for labeling plate 17.5 x 27 mm
product type designation	3SU1
<b>General technical data</b>	
protection class IP	IP66, IP67, IP69(IP69K)
degree of protection NEMA rating	1, 2, 3, 3R, 4, 4X, 12
shock resistance for railway applications acc. to DIN EN 61373	Category 1, Class B
vibration resistance for railway applications acc. to DIN EN 61373	Category 1, Class B
<b>Installation/ mounting/ dimensions</b>	
height	17.5 mm
width	27 mm
<b>Accessories</b>	
material of accessory	Plastic
shape of label holder	square at bottom
color of label holder	Black
fastening method of label	stick
product function illuminated backing plate	No
<b>Certificates/ approvals</b>	
General Product Approval	Declaration of Conformity



[Miscellaneous](#)

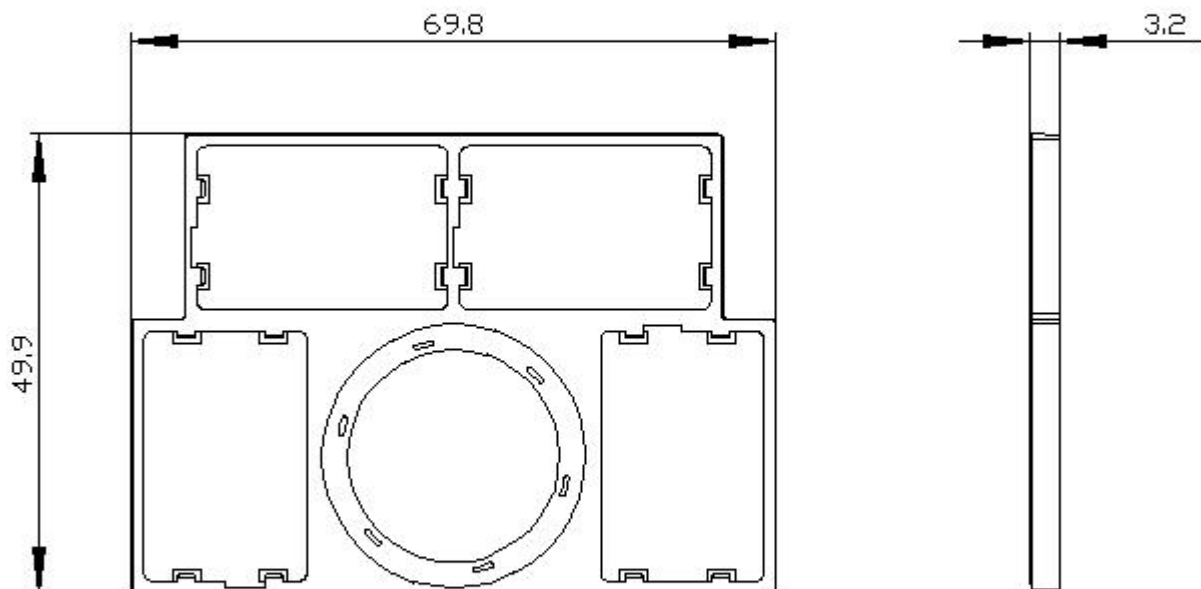
[Miscellaneous](#)

Declaration of Conformity	Test Certificates	Marine / Shipping
---------------------------	-------------------	-------------------



[Type Test Certificates/Test Report](#)



[Confirmation](#)**Further information****Information- and Downloadcenter (Catalogs, Brochures,...)**<https://www.siemens.com/ic10>**Industry Mall (Online ordering system)**<https://mall.industry.siemens.com/mall/en/en/Catalog/product?mfb=3SU1900-0BT10-0AA0>**Cax online generator**<http://support.automation.siemens.com/WW/CAXorder/default.aspx?lang=en&mfb=3SU1900-0BT10-0AA0>**Service&Support (Manuals, Certificates, Characteristics, FAQs,...)**<https://support.industry.siemens.com/cs/ww/en/ps/3SU1900-0BT10-0AA0>**Image database (product images, 2D dimension drawings, 3D models, device circuit diagrams, EPLAN macros, ...)**[http://www.automation.siemens.com/bilddb/cax\\_de.aspx?mfb=3SU1900-0BT10-0AA0&lang=en](http://www.automation.siemens.com/bilddb/cax_de.aspx?mfb=3SU1900-0BT10-0AA0&lang=en)

last modified:

5/15/2020