



Connectors > Connector Accessories > Connector Strain Relief



Strain Relief Accessory Type: **Shielding Ferrule**

Compatible With Connector Shell Size: **4, 5**

Shielded: **Yes**

Packaging Method: **Package**

Packaging Quantity: **1**

Features

Product Type Features

Strain Relief Accessory Type	Shielding Ferrule
------------------------------	-------------------

Operation/Application

Compatible With Connector Shell Size	4, 5
Shielded	Yes

Packaging Features

Packaging Method	Package
Packaging Quantity	1

Product Compliance

[For compliance documentation, visit the product page on TE.com>](#)

EU RoHS Directive 2011/65/EU	Compliant
EU ELV Directive 2000/53/EC	Compliant
China RoHS 2 Directive MIIT Order No 32, 2016	No Restricted Materials Above Threshold
EU REACH Regulation (EC) No. 1907/2006	Current ECHA Candidate List: JUNE 2023 (235)

Candidate List Declared Against: JAN 2023
(233)

Does not contain REACH SVHC

Halogen Content

Low Halogen - Br, Cl, F, I < 900 ppm per homogenous material. Also BFR/CFR/PVC Free

Solder Process Capability

Not applicable for solder process capability

Product Compliance Disclaimer

This information is provided based on reasonable inquiry of our suppliers and represents our current actual knowledge based on the information they provided. This information is subject to change. The part numbers that TE has identified as EU RoHS compliant have a maximum concentration of 0.1% by weight in homogenous materials for lead, hexavalent chromium, mercury, PBB, PBDE, DBP, BBP, DEHP, DIBP, and 0.01% for cadmium, or qualify for an exemption to these limits as defined in the Annexes of Directive 2011/65/EU (RoHS2). Finished electrical and electronic equipment products will be CE marked as required by Directive 2011/65/EU. Components may not be CE marked. Additionally, the part numbers that TE has identified as EU ELV compliant have a maximum concentration of 0.1% by weight in homogenous materials for lead, hexavalent chromium, and mercury, and 0.01% for cadmium, or qualify for an exemption to these limits as defined in the Annexes of Directive 2000/53/EC (ELV). Regarding the REACH Regulation, the information TE provides on SVHC in articles for this part number is based on the latest European Chemicals Agency (ECHA) 'Guidance on requirements for substances in articles' posted at this URL: <https://echa.europa.eu/guidance-documents/guidance-on-reach>


Compatible Parts



TE Part # 5745175-2
CABLE CLAMP KIT,SZ 5




TE Part # 5745174-1
CABLE CLAMP KIT,SZ 4




TE Part # 5747100-1
CABLE CLAMP KIT,SZ 4

Also in the Series | AMPLIMITE Kit



Connector Backshells(102)



Connector Strain Relief(30)



D-Sub Contact Accessories(1)



D-Sub Covers(3)



D-Sub Locking & Mounting(119)

Customers Also Bought



TE Part #5748536-1
KIT, RCPT, 9P, HDP-20, SHLD HDWRE



TE Part #1658615-1
37 POS HDF PLUG, AP, LEAD FREE



TE Part #175194-2
DYNAMIC D-3 REC CONT/S AU 0.38



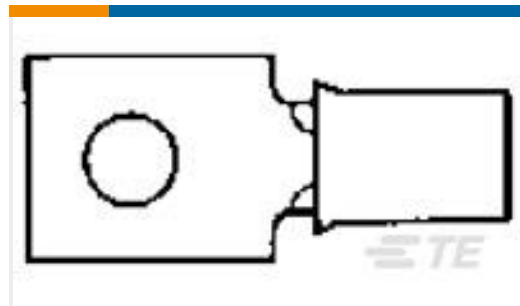
TE Part #1445535-3
PLUG, 8-2, LG INS, STD KEY



TE Part #5747959-1
KIT, RCPT, 50P, HDP-20, SHLD ENCLSRE



TE Part #1-770250-0
UMNL II PIN SN/AUNI/BR LP20-14



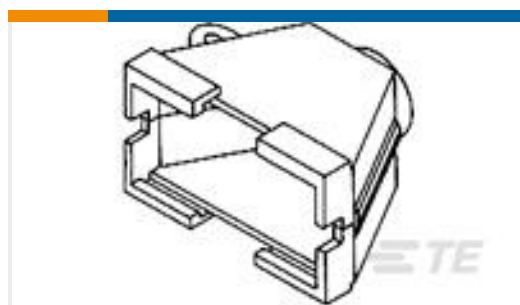
TE Part #53119-1
TERMINAL, T-N RECT 6 10



TE Part #1-770254-0
UMNL II GROUND PIN LP DUPL BR



TE Part #1658680-1
KIT, HDP-22, ENCLSUR, PLUG, SIZE 3



TE Part #350374-1
12P STR/REL HSG HNGD V0

Documents

Product Drawings

[FERRULE SPLIT RING, HD](#)

English

CAD Files

[Customer View Model](#)

[ENG_CVM_CVM_1-745508-1_B.2d_dxf.zip](#)

English

[3D PDF](#)



3D

Customer View Model

[ENG_CVM_CVM_1-745508-1_B.3d_igs.zip](#)

English

Customer View Model

[ENG_CVM_CVM_1-745508-1_B.3d_stp.zip](#)

English

By downloading the CAD file I accept and agree to the [Terms and Conditions](#) of use.

Datasheets & Catalog Pages

[AMPLIMITE Subminiature D Connectors - Cable Connectors](#)

English

[AMPLIMITE Cable Connectors and Shielding Hardware Kits QRG](#)

English

Product Specifications

[Application Specification](#)

English

Instruction Sheets

[Instruction Sheet \(U.S.\)](#)

English