


SAC-3P- 5,0-PVC/M12FR

Order No.: 1579051

<http://eshop.phoenixcontact.de/phoenix/treeViewClick.do?UID=1579051>Sensor/Actuator cable, 3-position, PVC, Black RAL 9005, Free
conductor end, on Socket, angled M12, A-coded, Cable length: 5 m**Commercial data**

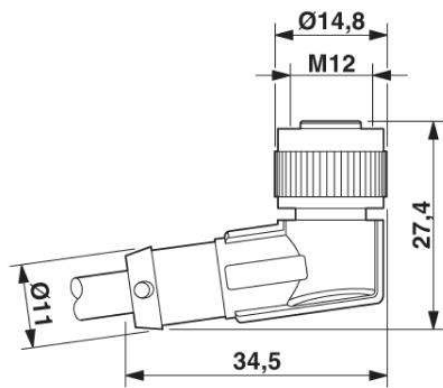
GTIN (EAN)	 4 046356 482806
Note	Made-to-order
sales group	D130
Pack	1 pcs.
Customs tariff	85444290

Product notesWEEE/RoHS-compliant since:
01/08/2009

<http://www.download.phoenixcontact.com>
Please note that the data given here has been taken from the online catalog. For comprehensive information and data, please refer to the user documentation. The General Terms and Conditions of Use apply to Internet downloads.

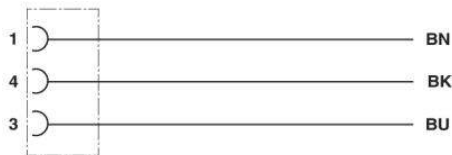
Diagrams/Drawings

Dimensioned drawing



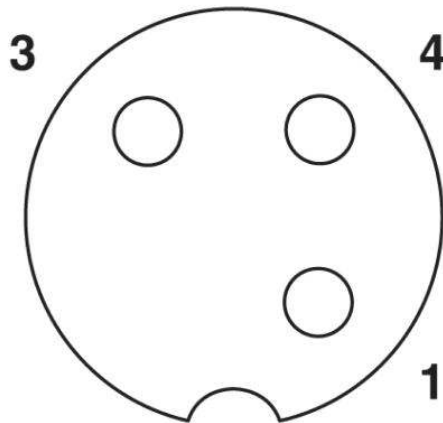
M12 x 1 female connector, angled

Circuit diagram



Contact assignment of the M12 socket

Schematic diagram



Pin assignment M12 socket, 3-pos., A-coded, view female side

Address

PHOENIX CONTACT Deutschland GmbH
Flachmarktstr. 8
32825 Blomberg, Germany
Phone +49 5235 3 12000
Fax +49 5235 3 41200
<http://www.phoenixcontact.de>



© 2011 Phoenix Contact
Technical modifications reserved;