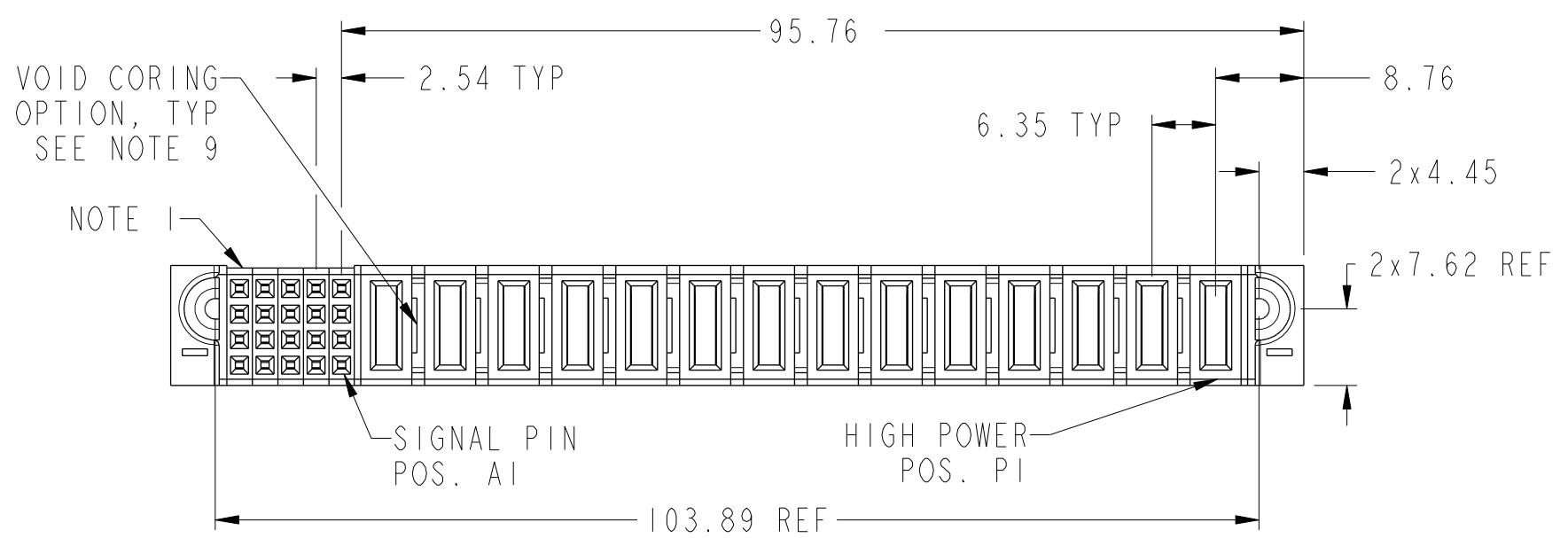
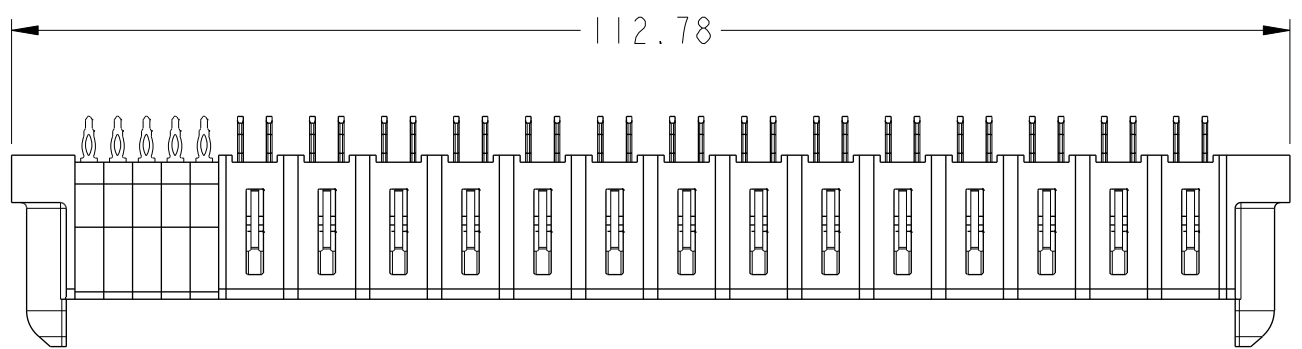
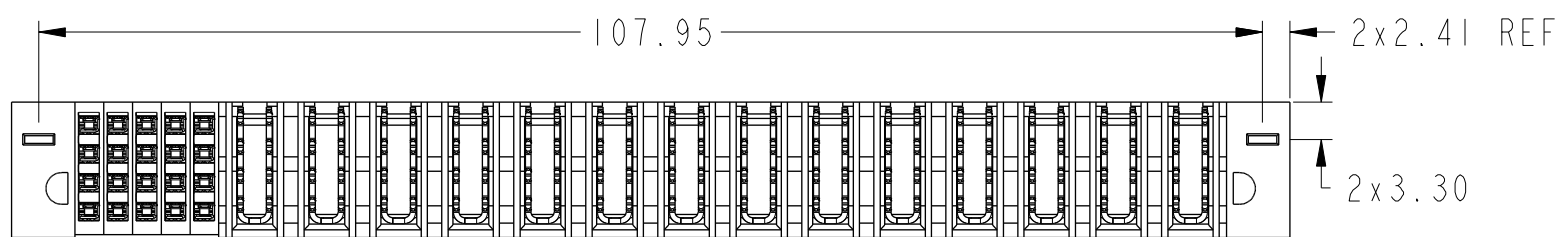
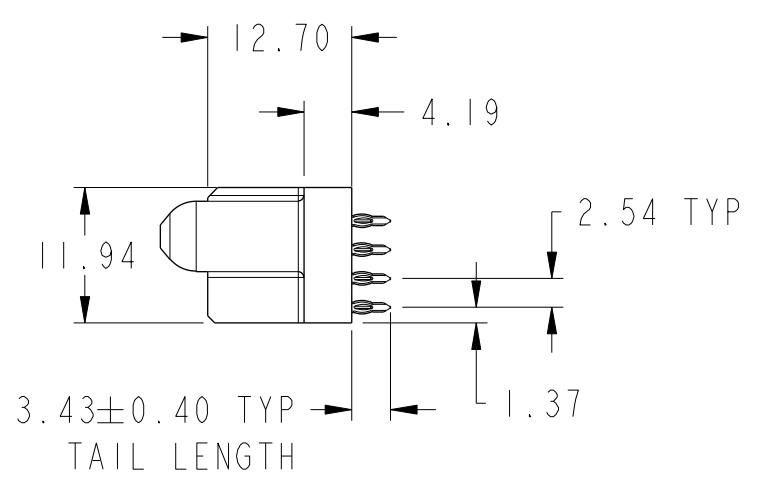


PRODUCT NUMBER SEE SHEET 2



VOID CORING OPTION, TYP SEE NOTE 9

NOTE 1

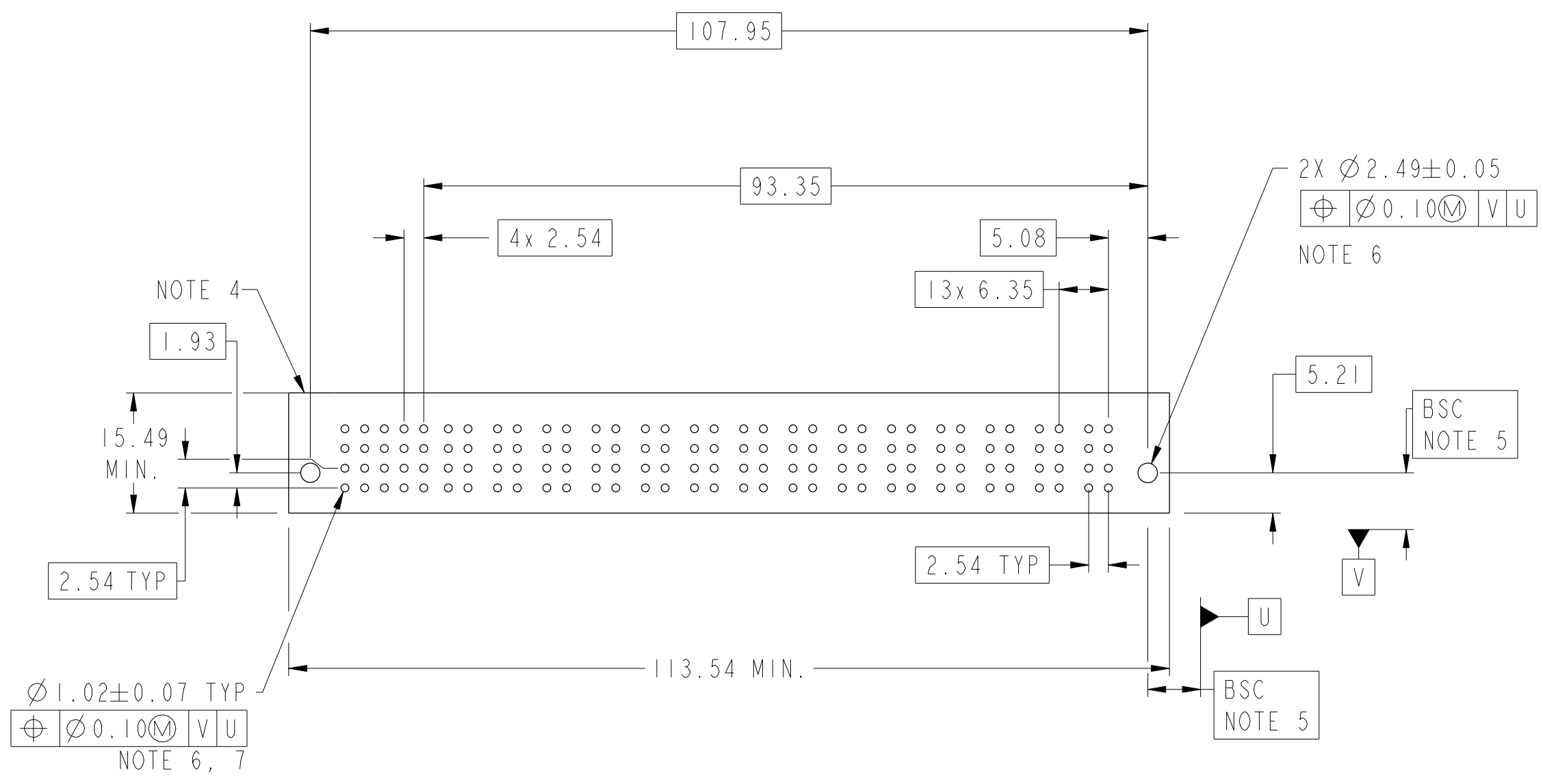


Amphenol FCI

© 2016 AFCI

spec ref	dr	Vicking Liu	2016/03/23	projection	MM	size	A3	scale	3:2
tolerance std	eng	Vicking Liu	2016/07/20			ecn no	-	rel level	Released
ASME Y14.5	chr	Fancy Zhang	2016/07/20						
surface	linear	0.X	±0.50		14HP + 20S VT PF RECEPTACLE	dwg no 10106131-E005001	rev A	ASME Y14.5	
		0.XX	±0.25					cat. no.	
0.XXX	±0.10	angular						0°	±2°

PRODUCT NO.	ROWS	SIGNAL																			E2	CODE	DESCRIPTION
		E1	5	4	3	2	1	P14	P13	P12	P11	P10	P9	P8	P7	P6	P5	P4	P3	P2			
10106131-E005001LF	D C B A	F	F	F	F	F	HG	HG	HG	HG	HD	HD	HG	HG	HG	HG	HG	HG	HG	HG	F	STD SIGNAL CONTACT	
		F	F	F	F	F	HG	HG	HG	HG	HD	HD	HG	HG	HG	HG	HG	HG	HG	HG	HD	MFBL HIGH POWER CONTACT (3.43)	
		F	F	F	F	F	HG	HG	HG	HG	HD	HD	HG	HG	HG	HG	HG	HG	HG	HG	HG	HG	STD HIGH POWER CONTACT (3.43)



Amphenol FCI
© 2016 AFCI

spec ref	dr	Vicking Liu	2016/03/23	projection	MM	size	A3	scale	3:2
tolerance std	eng	Vicking Liu	2016/07/20			ecn no	-	rel level	Released
ASME Y14.5	chr	Fancy Zhang	2016/07/20						
surface linear angular	TOLERANCES UNLESS OTHERWISE SPECIFIED 0.X ±0.50 0.XX ±0.25 0.XXX ±0.10 0° ±2°	appr	Pei-Ming Zheng	2016/07/20	product family	PowerBlade+		rel level	Released
		Amphenol FCI 14HP + 20S VT PF RECEPTACLE	cat. no.		Product - Customer Drw	sheet 2 of 3			
dwg no	10106131-E005001	rev	A						

1

2

3

4

A

A

NOTES:

- 1) "FCI", PART NUMBER AND DATE CODE TO BE MARKED ON THIS SURFACE.
THE MARK CAN BE OMITTED IF THERE IS NOT ENOUGH SPACE ON THIS SURFACE.
- 2) MATERIALS:
-HOUSING - GLASS FILLED WITH HIGH TEMP THERMOPLASTIC, UL94V-0.
-SIGNAL CONTACT - COPPER ALLOY.
-POWER CONTACT - HIGH CONDUCTIVITY COPPER ALLOY.
- 3) PLATING SPECIFICATION REFER TO FCI 10116351
- 4) DENOTES CONNECTOR KEEP OUT ZONE.
- 5) DATUM AND BASIC DIMENIONS WERE ESTABLISHED BY CUSTOMER.
- 6) ALL HOLE DIAMETERS ARE FINISHED HOLE SIZES.
- 7) 1.15 ± 0.025MM DRILLED HOLE PLATED WITH 0.00762MM MIN Sn
OVER 0.0254-0.0762MM Cu PLATING TO ACHIEVE A 1.02 ± 0.07MM HOLE.
- 8) PRODUCT SPECIFICATION REFER TO FCI GS-12-658.
APPLICATION SPECIFICATION REFER TO FCI GS-20-141.
PRODUCT PACKAGED IN TRAYS, REFER TO FCI GS-14-1502.
- 9) THE VOID CORING IN BETWEEN POWER MODULES, SIGNAL
MODULES AND END MODULES ARE OPTIONAL AND THE SHAPE
MAY BE DIFFERENT FOR OPTIMIZE THE MOLDING PROCESS. THE
VOID CORING WILL NOT EFFECT TO PRODUCT FUNCTION.

B

B

C

C

D

D

Amphenol
FCi

© 2016 AFCI

spec ref		dr	Vicking Liu	2016/03/23	projection 	MM ←→	size	A3	scale	1:1
tolerance std	TOLERANCES UNLESS OTHERWISE SPECIFIED	eng	Vicking Liu	2016/07/20			ecn no	-		
ASME Y14.5		chr	Fancy Zhang	2016/07/20	product family	PowerBlade+	rel level	Released		
surface	linear	0.X	±0.50	Amphenol FCi	14HP + 20S VT PF RECEPTACLE	dwg no	10106131-E005001	rev	A	
		0.XX	±0.25							
ASME Y14.5	angular	0°	±2°							cat. no.

2

3

PDS: Rev :A

STATUS:Released

Printed: Jul 25, 2016