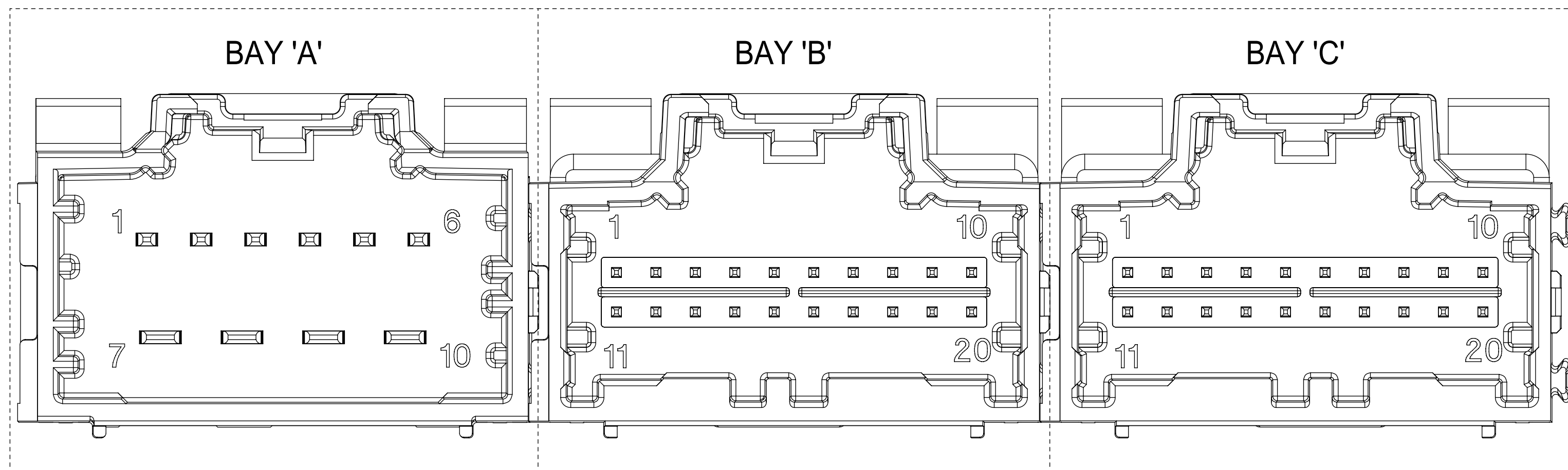


DIMENSIONAL CHART FOR MULTIBAY CONFIGURATION:

PART NUMBER (TUBE PKG)	PART NUMBER (TRAY PKG)	BAY A			BAY B			BAY C			DIM 'A'	DIM 'B'	DIM 'C'	DIM 'D'	DIM 'E'
		CKT	TYPE	POL	CKT	TYPE	POL	CKT	TYPE	POL					
TBD	34707-3010	20	0.64mm	A	8	0.64mm	A	16	0.64mm	A	79.52	77.05	22.86	12.70	27.94
TBD	34707-3020	16	0.64mm	B	8	0.64mm	B	20	0.64mm	B	79.52	77.05	27.94	12.70	22.86
TBD	34707-3021	10	HYBRID	A	20	0.64mm	C	20	0.64mm	D	99.84	97.37	27.94	27.94	27.94
TBD	34707-3030	12	0.64mm	A	20	0.64mm	C	20	0.64mm	D	89.68	87.21	27.94	27.94	17.78
TBD	34707-3040	20	0.64mm	A	20	0.64mm	B	20	0.64mm	C	99.84	97.37	27.94	27.94	27.94
TBD	34707-3050	16	0.64mm	A	16	0.64mm	B	16	0.64mm	C	84.60	82.13	22.86	22.86	22.86
TBD	34707-3060	20	0.64mm	B	16	0.64mm	C	10	HYBRID	A	94.76	92.29	27.94	22.86	27.94
TBD	34707-3070	10	HYBRID	A	10	HYBRID	B	10	HYBRID	C	99.84	97.37	27.94	27.94	27.94
TBD	34707-3090	20	0.64mm	A	20	0.64mm	C	8	0.64mm	B	84.60	82.13	27.94	27.94	12.70
TBD	34707-3100	14	HYBRID	A	20	0.64mm	A	20	0.64mm	B	99.84	97.37	27.94	27.94	27.94

3-BAY STAC64 VERTICAL HEADER ASSEMBLY
(P/N: 34707-3021 SHOWN)



NOTES: VALID UNLESS OTHERWISE SPECIFIED
1. GENERAL:

a. CONNECTOR HEADER MUST BE VALIDATED TO THE FOLLOWING FUNCTIONAL REQUIREMENTS:

PRODUCT SPECIFICATION:
8-20 CKT 0.64mm PRODUCT SPEC: PS-34729-020/PS-31408-100
10/14 CKT HYBRID PRODUCT SPEC: PS-31372-100

b. APPLICATION REQUIREMENTS (REFERENCE ONLY):

APPLICATION SPECIFICATION: AS-34729-020/AS-31408-100

c. PACKAGING SPECIFICATION PER MOLEX DRAWING PK-31300-892 (TRAY)
c. PACKAGING SPECIFICATION PER MOLEX DRAWING PK-31301-063 (TUBE)

2. DESIGN: MATERIALS:

a. SHROUD (PLASTIC HOUSING):
RESIN - SPS 30%GF
COLOR:
POL A - BLACK
POL B - GRAY
POL C - BROWN
POL D - GREEN

b. 0.64mm PINS:
BASE MATERIAL: C26000
PLATING TYPE: AS NOTED

1.50/2.80mm BLADES:
BASE MATERIAL: C19400
PLATING TYPE: AS NOTED

3. PLATING REQUIREMENTS:

a. UNDERPLATING - OVERALL NICKEL

b. OVERPLATING - OVERALL TIN

4. FOR DESCRIPTION OF INDIVIDUAL BAYS, REFER TO THE FOLLOWING

SINGLE BAY DRAWINGS:
8-20 CKT 0.64: SD-34690-100
10 CKT HYBRID: SD-34695-100
14 CKT HYBRID: SD-34772-200

SYMBOLS	THIS DRAWING CONTAINS INFORMATION THAT IS PROPRIETARY TO MOLEX ELECTRONIC TECHNOLOGIES, LLC AND SHOULD NOT BE USED WITHOUT WRITTEN PERMISSION		
	DIMENSION UNITS	SCALE	CURRENT REV DESC:
▽ = 0	mm	4:1	
▽ = 0	GENERAL TOLERANCES (UNLESS SPECIFIED)		
▽ = 0	ANGULAR TOL	± 1.0°	
▽ = 0	4 PLACES	±	
▽ = 0	3 PLACES	±	
▽ = 0	2 PLACES	± 0.13	
▽ = 0	1 PLACE	± 0.25	
▽ = 0	0 PLACES	±	
■ = 0	DRAFT WHERE APPLICABLE MUST REMAIN WITHIN DIMENSIONS		
▽ = 0	THIRD ANGLE PROJECTION	DRAWING	SERIES
		D-SIZE	34707
		MATERIAL NUMBER	CUSTOMER
		SEE TABLE	GENERAL MARKET
		DOCUMENT NUMBER	DOC TYPE DOC PART REVISION
		SD-34707-300	PSD 001 K2
DOCUMENT STATUS		P1	RELEASE DATE
2019/02/23		23:32:58	
SHEET NUMBER			
1 OF 4			

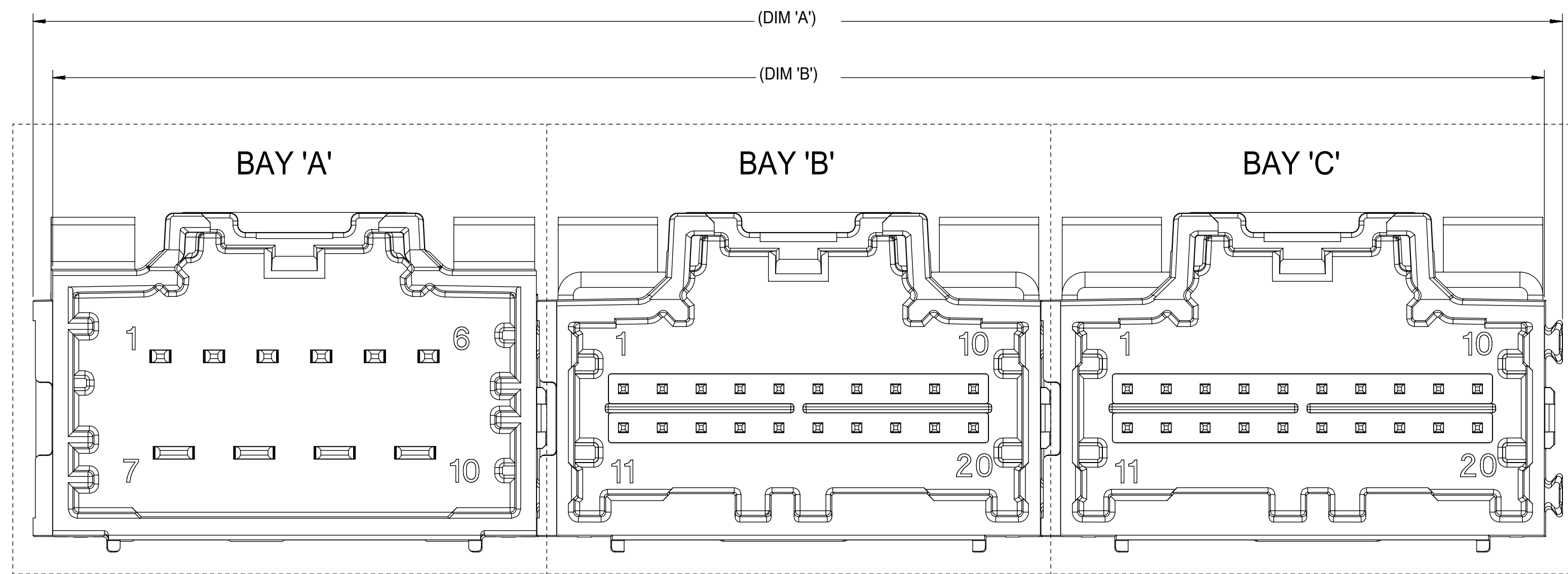
molex

3-BAY STAC64 VERTICAL
HEADER ASSEMBLY SALES DRAWING

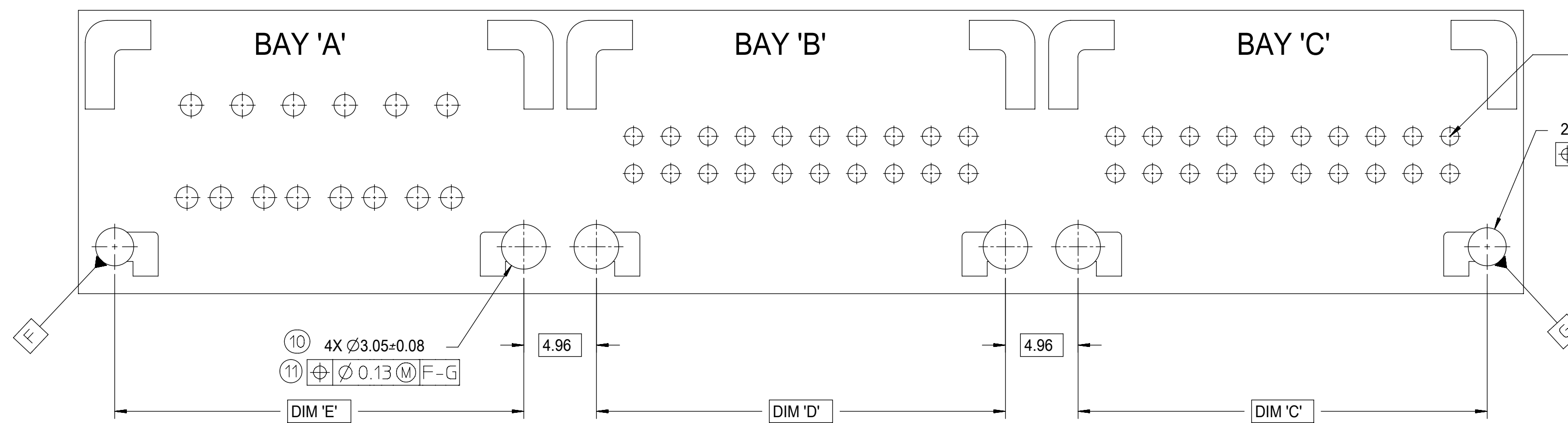
PRODUCT CUSTOMER DRAWING

DOCUMENT NUMBER: SD-34707-300
DOC TYPE: PSD
DOC PART: 001
REVISION: K2

MATERIAL NUMBER: SEE TABLE
CUSTOMER: GENERAL MARKET
SHEET NUMBER: 1 OF 4



RECOMMENDED PCB LAYOUT
 INSERT NECESSARY BAYS USING CHART ON SHEET 1

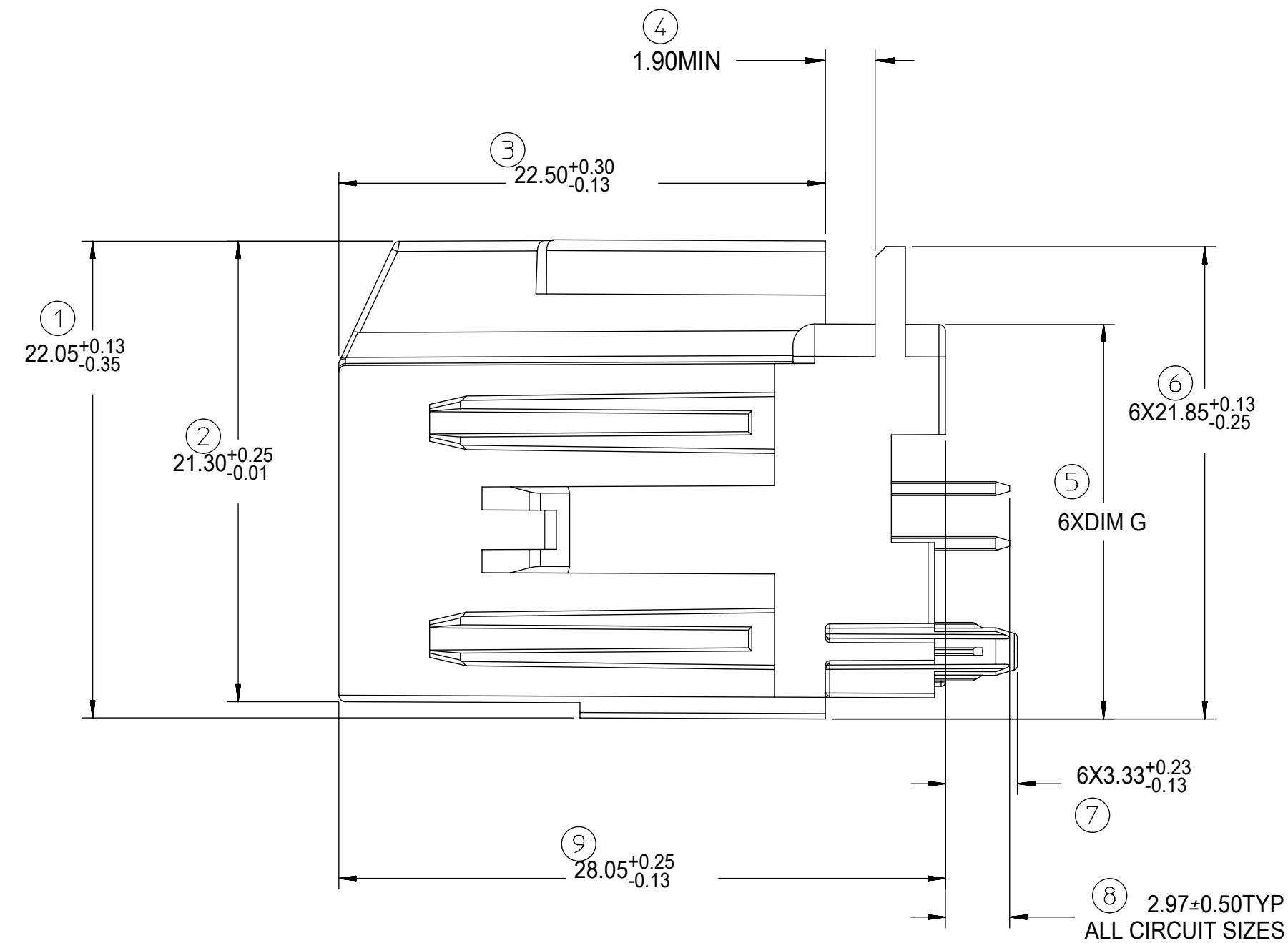


2X ØZ±0.08
 Ø 0.13 (M) F

FOR PIN LOCATION,
 REFER TO TEMPLATES ON SHEET 4

POST HOLE TABLE:

FOR DIM Z:	
PRESS FIT:	2.60
DROP IN:	3.05

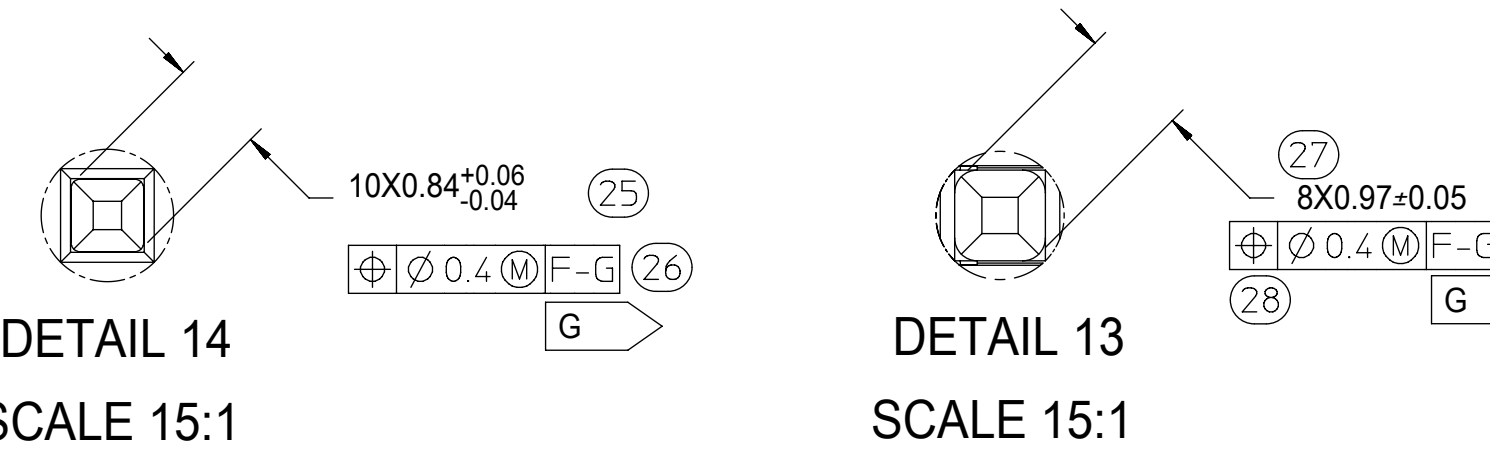
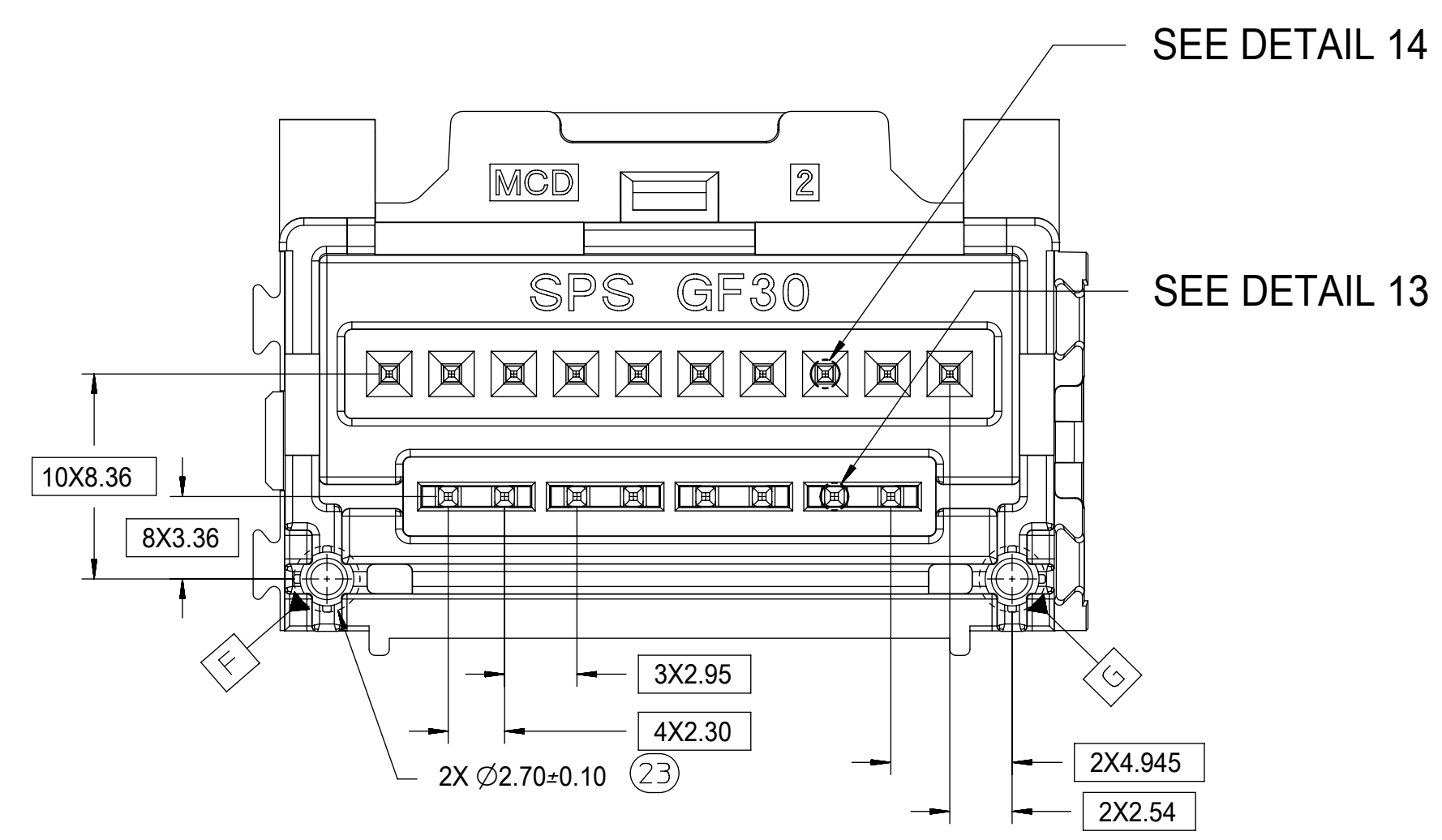
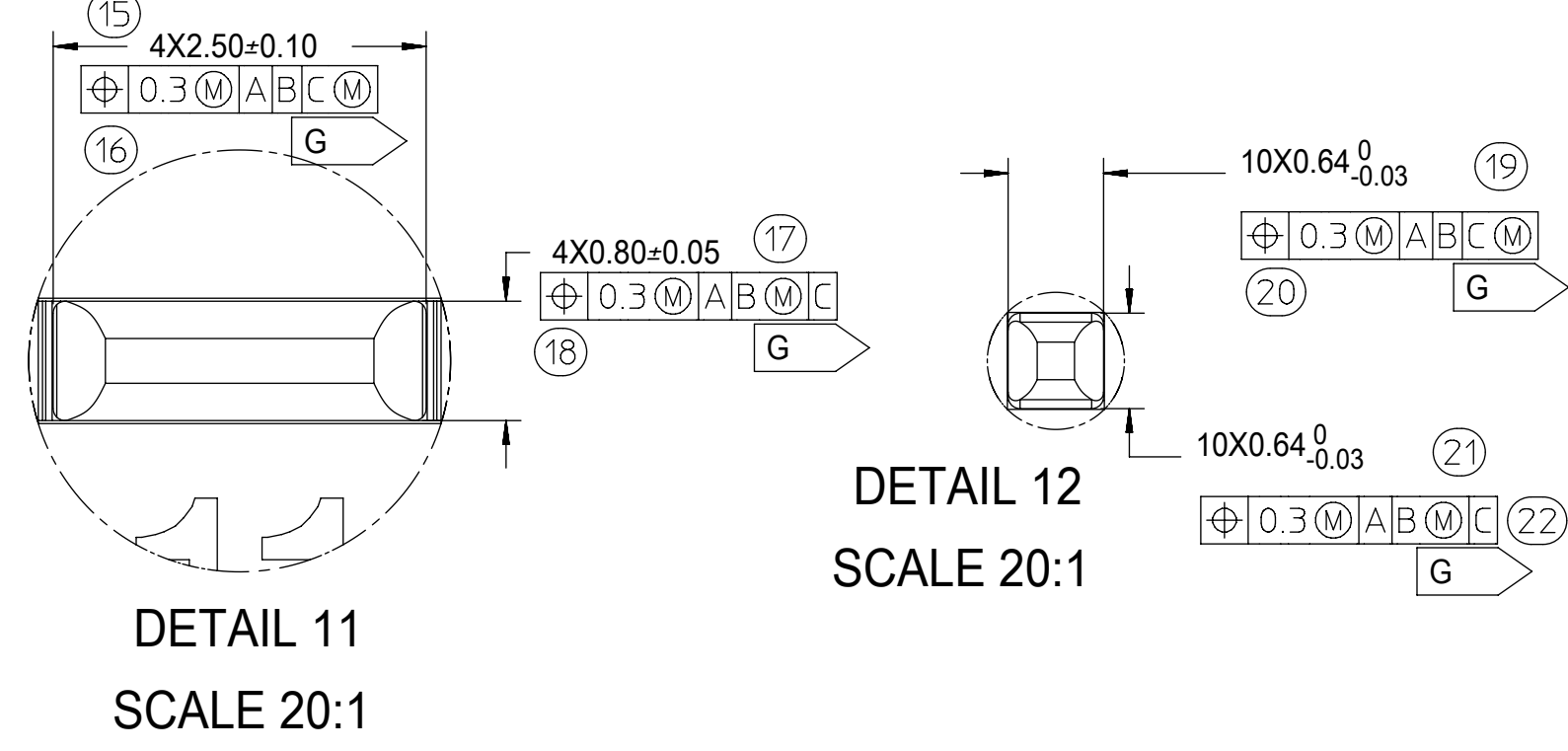
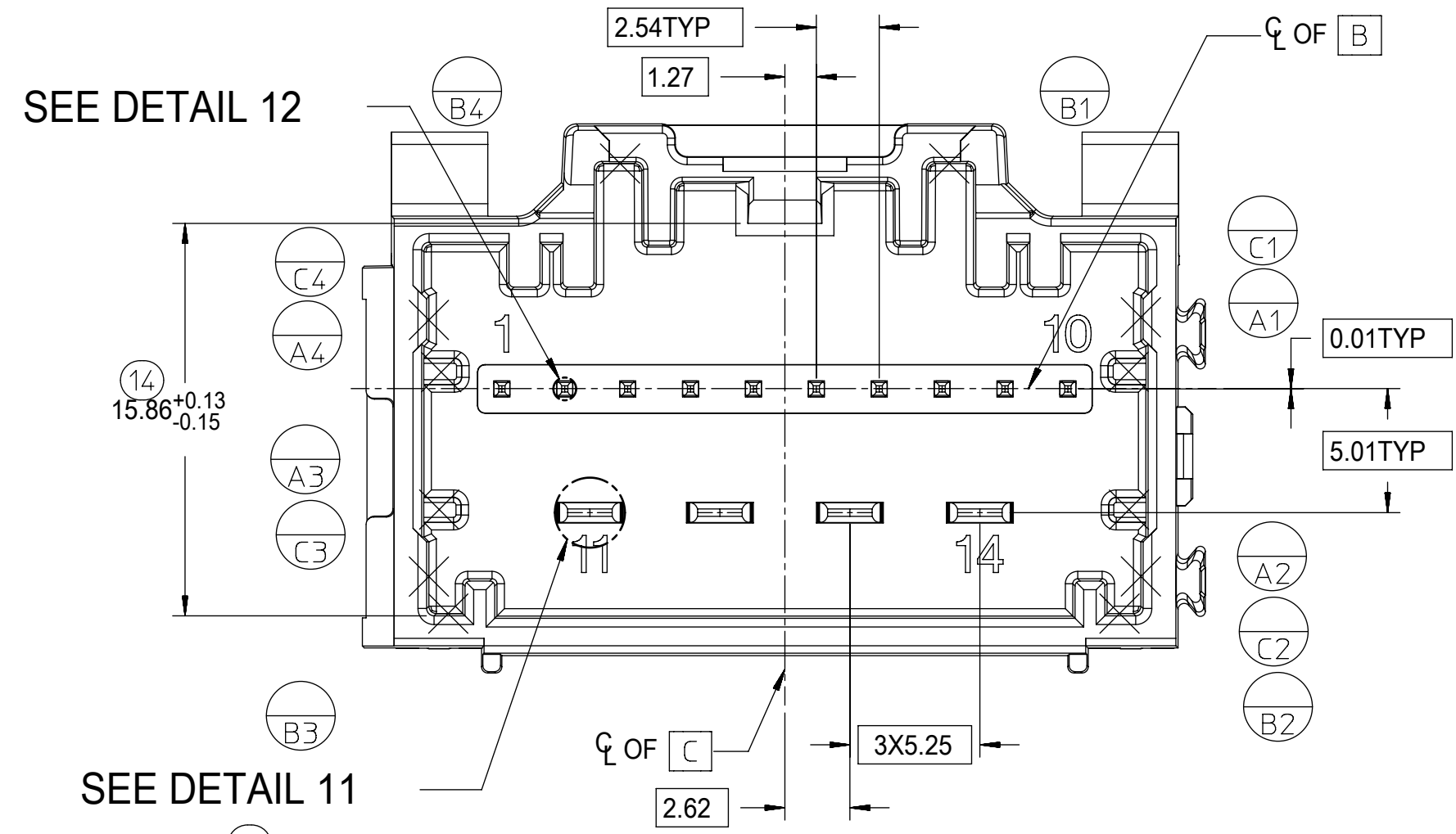


FOR DIM G:

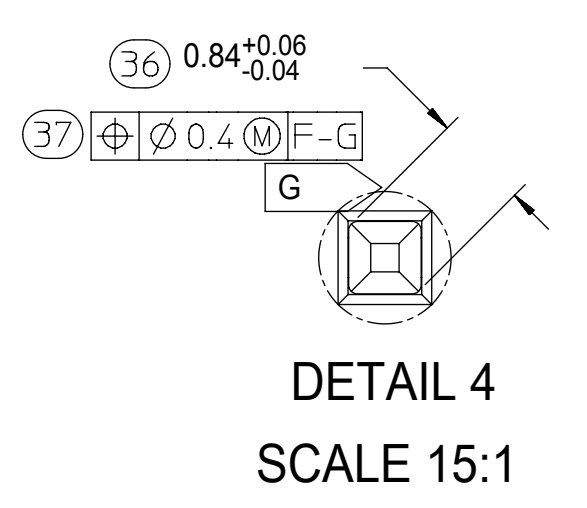
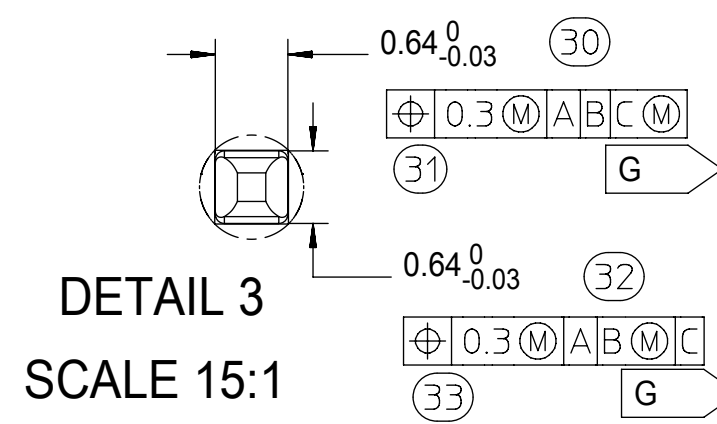
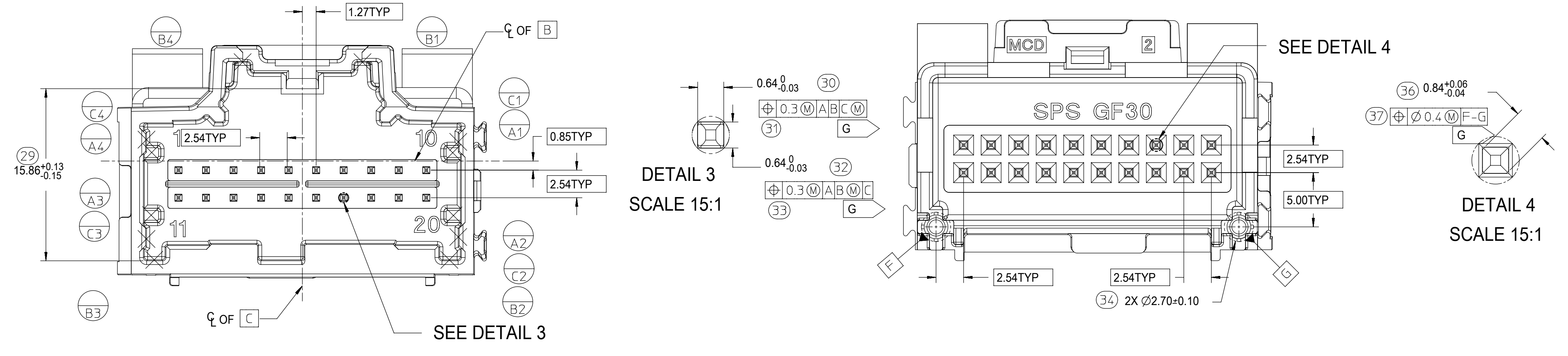
8-20CKT 0.64mm	18.40 MAX
10/14CKT Hybrid	18.59 MAX

SYMBOLS	THIS DRAWING CONTAINS INFORMATION THAT IS PROPRIETARY TO MOLEX ELECTRONIC TECHNOLOGIES, LLC AND SHOULD NOT BE USED WITHOUT WRITTEN PERMISSION		
	DIMENSION UNITS	SCALE	CURRENT REV DESC:
▽ = 0	mm	4:1	molex 3-BAY STAC64 VERTICAL HEADER ASSEMBLY SALES DRAWING PRODUCT CUSTOMER DRAWING DOCUMENT NUMBER: SD-34707-300 DOC TYPE: PSD DOC PART: 001 REVISION: K2 MATERIAL NUMBER: SEE TABLE CUSTOMER: GENERAL MARKET SHEET NUMBER: 2 OF 4
▽ = 0	GENERAL TOLERANCES (UNLESS SPECIFIED)		
▽ = 0	ANGULAR TOL ± 1.0°		
▽ = 0	4 PLACES ±		
▽ = 0	3 PLACES ±		
▽ = 0	2 PLACES ± 0.13		
▽ = 0	1 PLACE ± 0.25		
▽ = 0	0 PLACES ±		
▽ = 0	DRAFT WHERE APPLICABLE MUST REMAIN WITHIN DIMENSIONS	THIRD ANGLE PROJECTION	EC NO: 612618 DRWN: SHANDITHAVAL 2019/02/22 CHK'D: RBAUMAN 2019/02/23 APPR: RBAUMAN 2019/02/23 INITIAL REVISION: DRWN: JDUNAJ 2009/03/10 APPR: SMARCEAU 2009/03/11
▽ = 0	D-DRAWING	SERIES	D-SIZE 34707 MATERIAL NUMBER: SEE TABLE CUSTOMER: GENERAL MARKET SHEET NUMBER: 2 OF 4

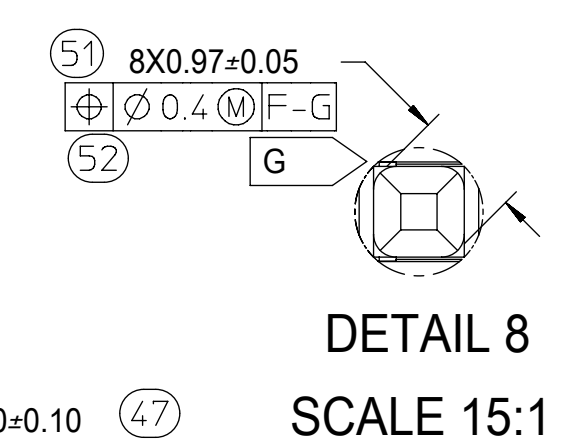
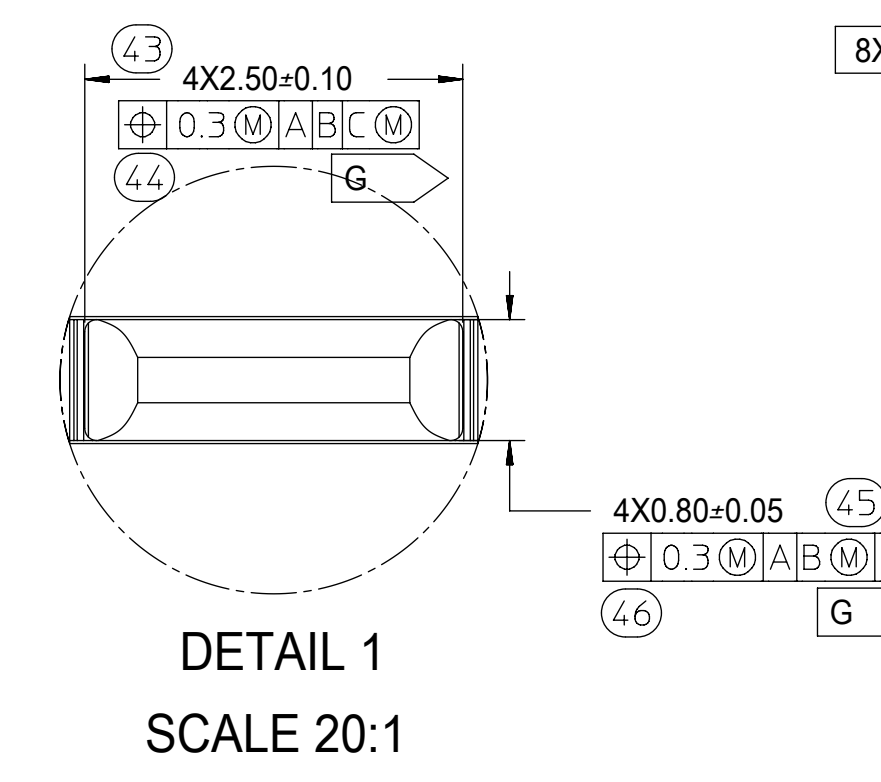
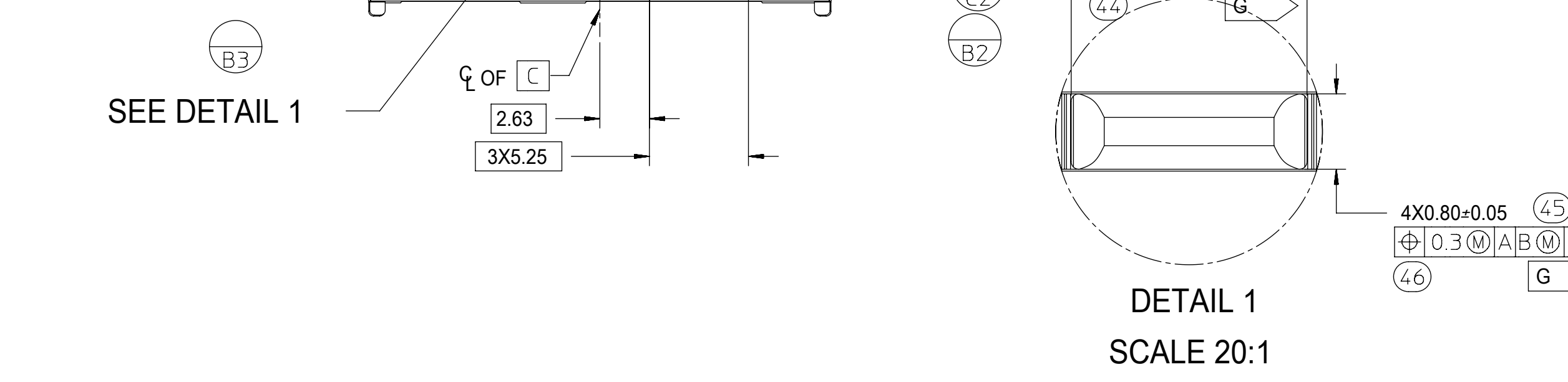
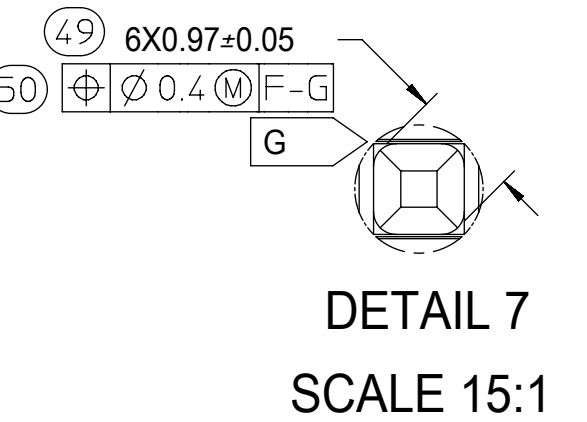
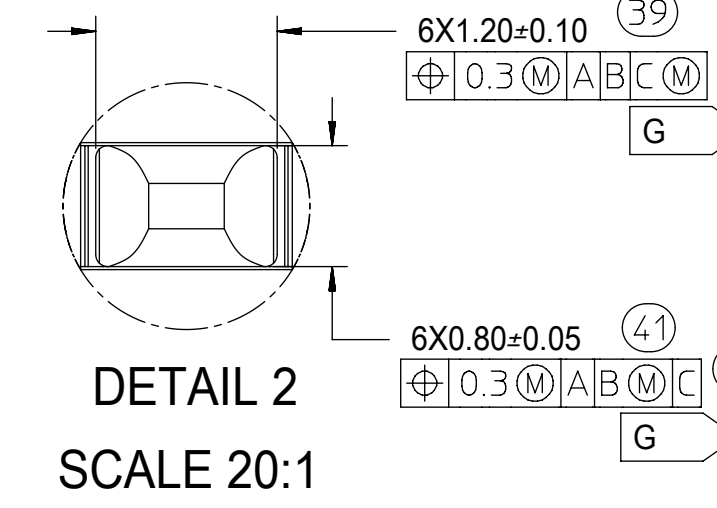
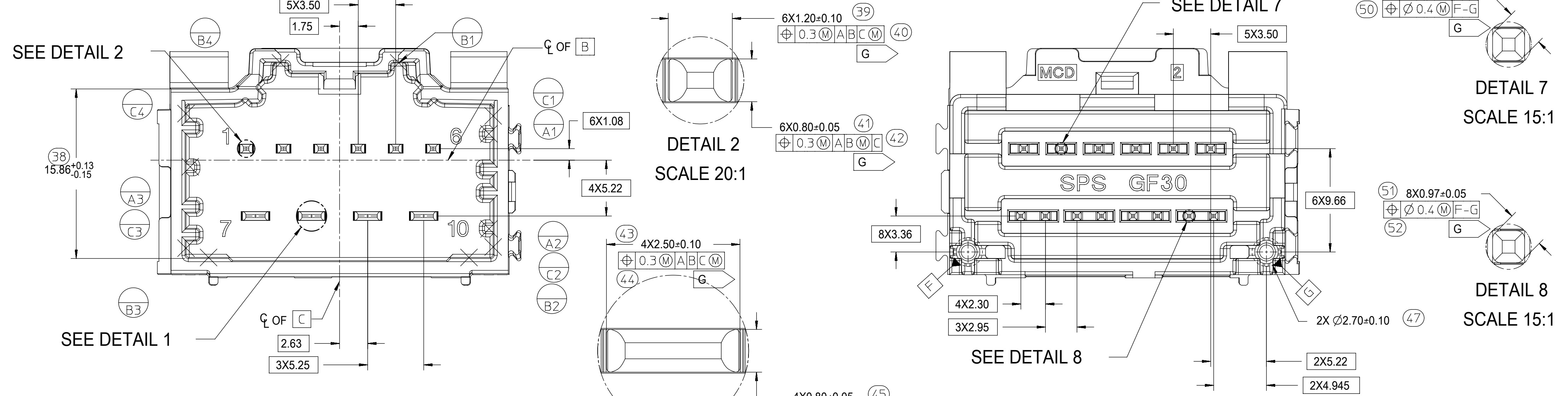
14CKT STAC HYBRID HEADER DETAILS



8-20CKT STAC 0.64mm HEADER DETAILS



10CKT STAC HYBRID HEADER DETAILS



SYMBOLS		THIS DRAWING CONTAINS INFORMATION THAT IS PROPRIETARY TO MOLEX ELECTRONIC TECHNOLOGIES, LLC AND SHOULD NOT BE USED WITHOUT WRITTEN PERMISSION		CURRENT REV DESC:	
▽ = 0	mm	SCALE	4:1	EC NO: 612618	
▽ = 0	GENERAL TOLERANCES (UNLESS SPECIFIED)	DRWN: SHANDITHAVAL 2019/02/22			
▽ = 0	ANGULAR TOL ± 1.0°	CHK'D: RBAUMAN 2019/02/23			
▽ = 0	4 PLACES ±	APPR: RBAUMAN 2019/02/23			
▽ = 0	3 PLACES ±	INITIAL REVISION:			
▽ = 0	2 PLACES ± 0.13	DRWN: JDUNAJ 2009/03/10			
▽ = 0	1 PLACE ± 0.25	APPR: SMARCEAU 2009/03/11			
▽ = 0	0 PLACES ±	DRAFT WHERE APPLICABLE MUST REMAIN WITHIN DIMENSIONS			
▽ = 0	THIRD ANGLE PROJECTION	DRAWING	SERIES	MATERIAL NUMBER	CUSTOMER
▽ = 0	D-DRAWING	34707	SEE TABLE	GENERAL MARKET	SHEET NUMBER
			3 OF 4		

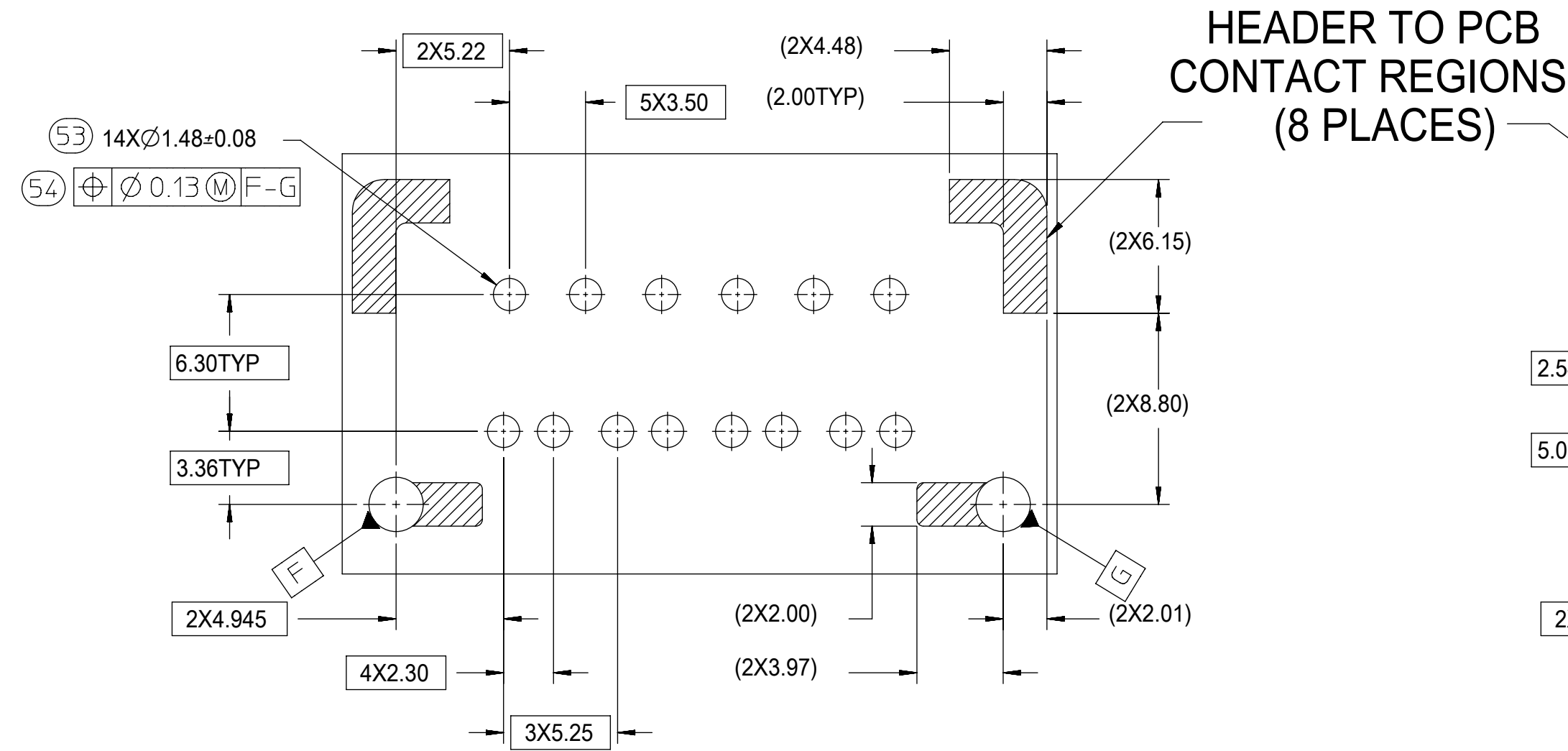


3-BAY STAC64 VERTICAL HEADER ASSEMBLY SALES DRAWING

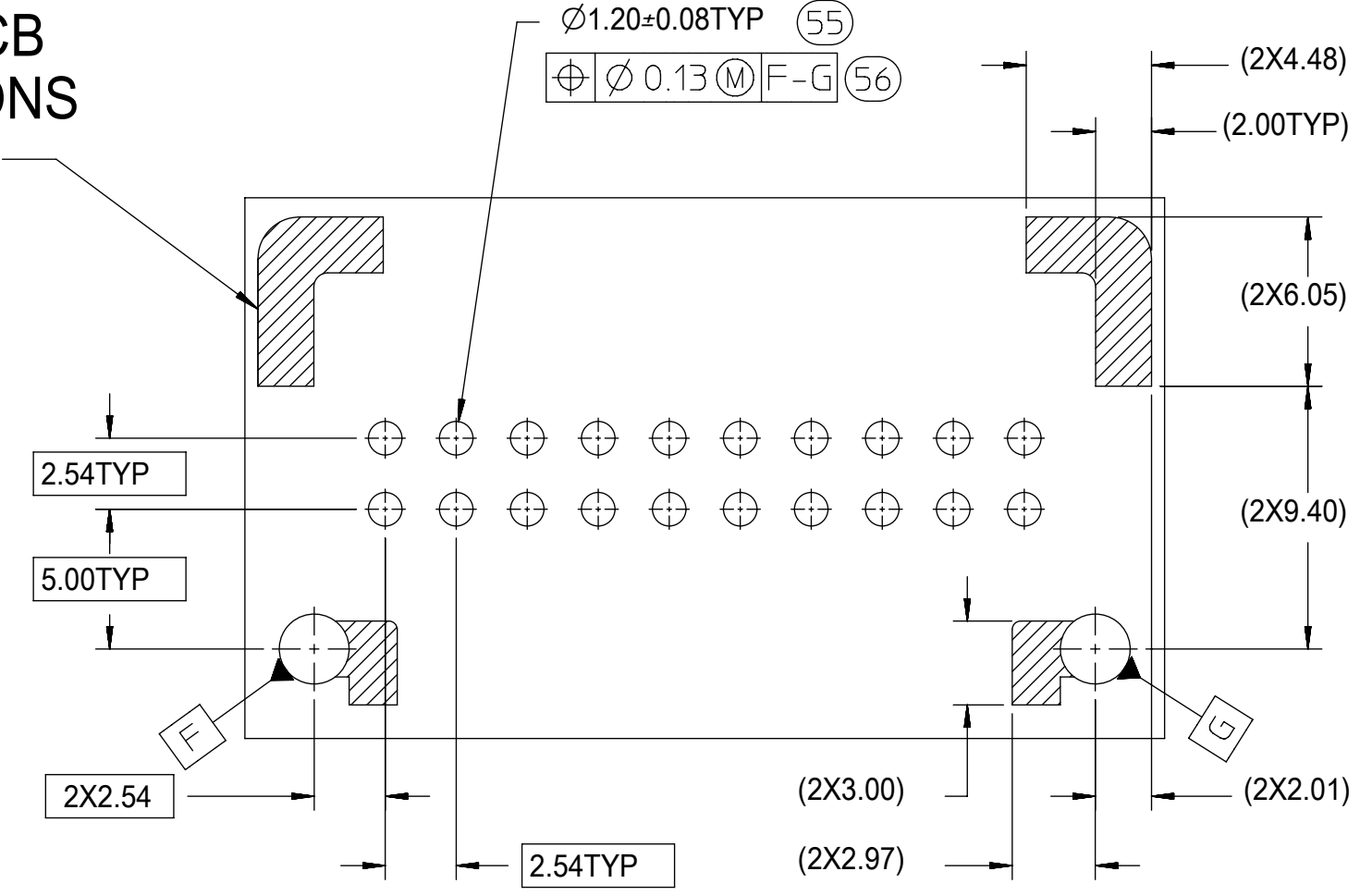
PRODUCT CUSTOMER DRAWING

DOCUMENT NUMBER: SD-34707-300
DOC TYPE: PSD
DOC PART: 001
REVISION: K2

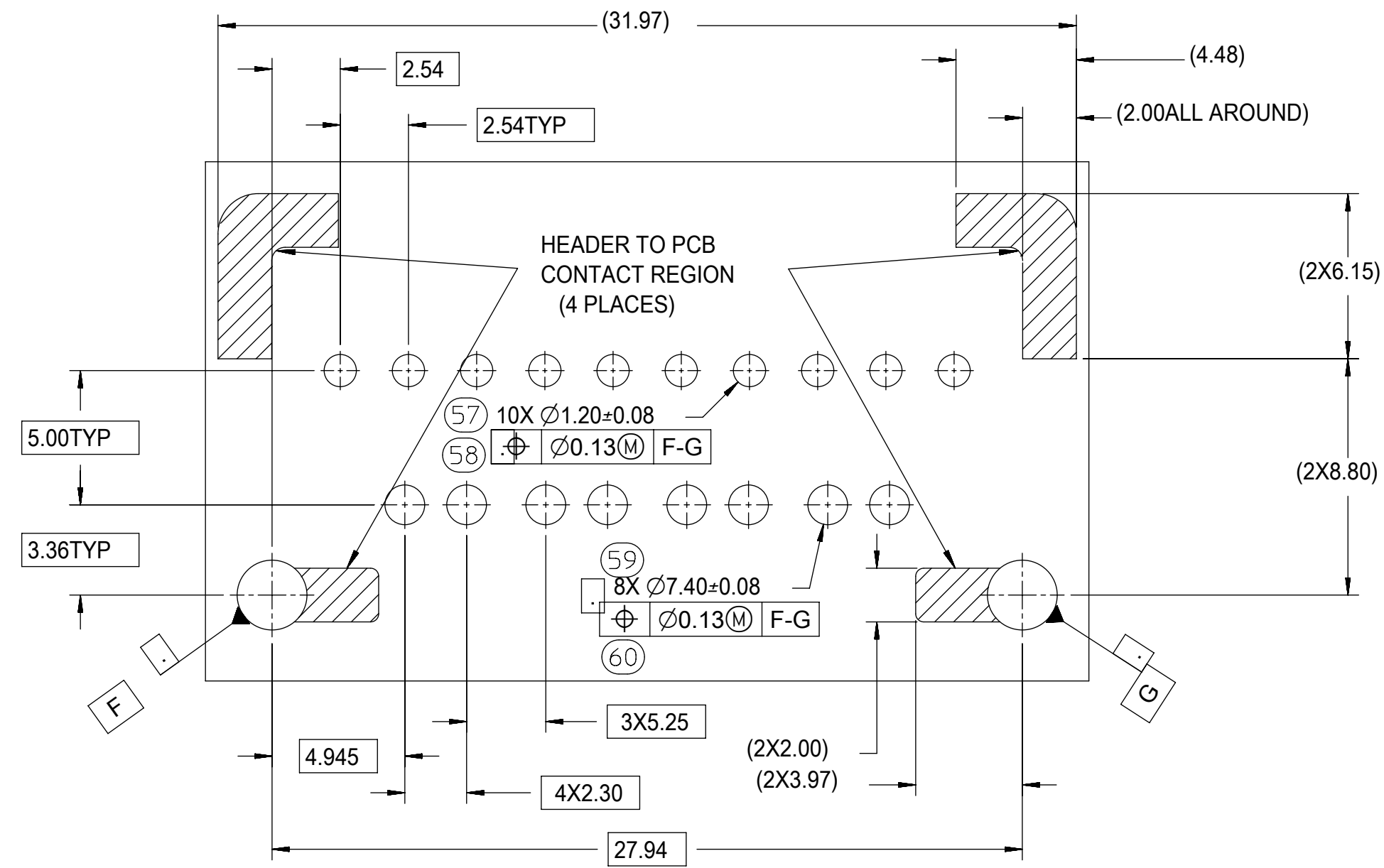
10 CKT HYBRID TEMPLATE
PCB LAYOUT



8-20 CKT 0.64mm TEMPLATE
PCB LAYOUT



14 CKT HYBRID TEMPLATE
PCB LAYOUT



SYMBOLS	THIS DRAWING CONTAINS INFORMATION THAT IS PROPRIETARY TO MOLEX ELECTRONIC TECHNOLOGIES, LLC AND SHOULD NOT BE USED WITHOUT WRITTEN PERMISSION		
	DIMENSION UNITS	SCALE	CURRENT REV DESC:
▽ = 0	mm	4:1	molex 3-BAY STAC64 VERTICAL HEADER ASSEMBLY SALES DRAWING PRODUCT CUSTOMER DRAWING
▽ = 0	GENERAL TOLERANCES (UNLESS SPECIFIED)		
▽ = 0	ANGULAR TOL ± 1.0°		
▽ = 0	4 PLACES ±		
▽ = 0	3 PLACES ±		
▽ = 0	2 PLACES ± 0.13		INITIAL REVISION: DRWN: JDUNAJ 2009/03/10 APPR: SMARCEAU 2009/03/11
▽ = 0	1 PLACE ± 0.25		
▽ = 0	0 PLACES ±		DOCUMENT NUMBER: SD-34707-300 DOC TYPE: PSD DOC PART: 001 REVISION: K2
■ = 0	DRAFT WHERE APPLICABLE MUST REMAIN WITHIN DIMENSIONS	THIRD ANGLE PROJECTION	MATERIAL NUMBER: SEE TABLE CUSTOMER: GENERAL MARKET SHEET NUMBER: 4 OF 4
▽ = 0		D-SIZE	SERIES: 34707 SEE TABLE