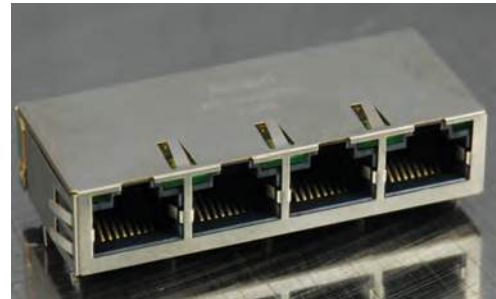




- 10/100/1000 Base T for Ethernet Application
- Transmit open circuit inductance (OCL): 350uH (MIN) @100KHz,0.1VRMS with 8mA DC Bias
- RJ45 jack cavity conforms to FCC rules and regulations Part 68, SUB Part F
- Standard Operating Temp: 0°C to +70°C
- Contact factory for Industrial Temp.
- Tab Up



Electrical Specifications @ 25°C

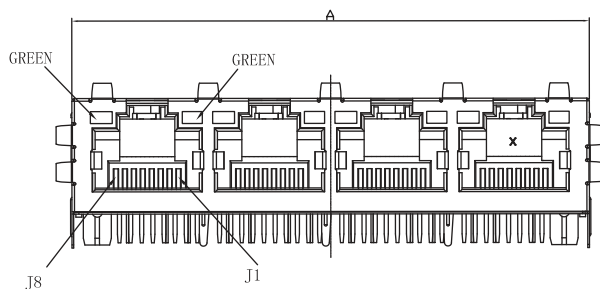
OCL(uH Min) @ 100kHz, 0.1V With 8mA DC Bias	Turns Ratio chip: cable	Insertion Loss (dB Max)		Return Loss (dB Min)			
		1-100MHz	100-125MHz	1-40MHz	40-60MHz	60-80MHz	80-100MHz
350	1:1 ± 5%	-1.0	-1.2	-16	-12	-10	-8

Electrical Specifications @ 25°C

Cross Talk (dB Min)	Common to Common Mode Attenuation (dB Min)	Isolation
1~100MHz -30	1~100MHz -30	1500 VAC

All specifications subject to change without notice.

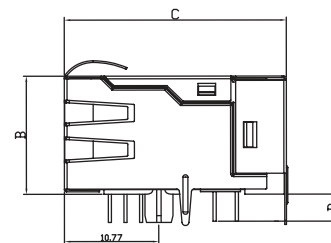
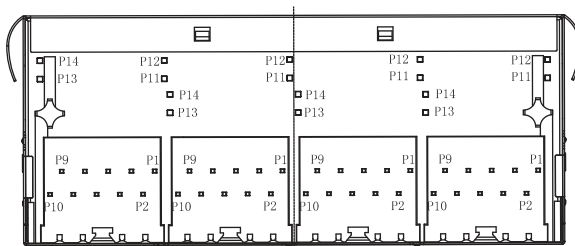
MECHANICAL

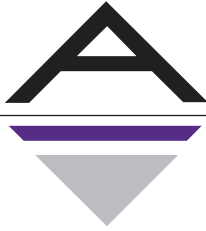


UNIT : mm

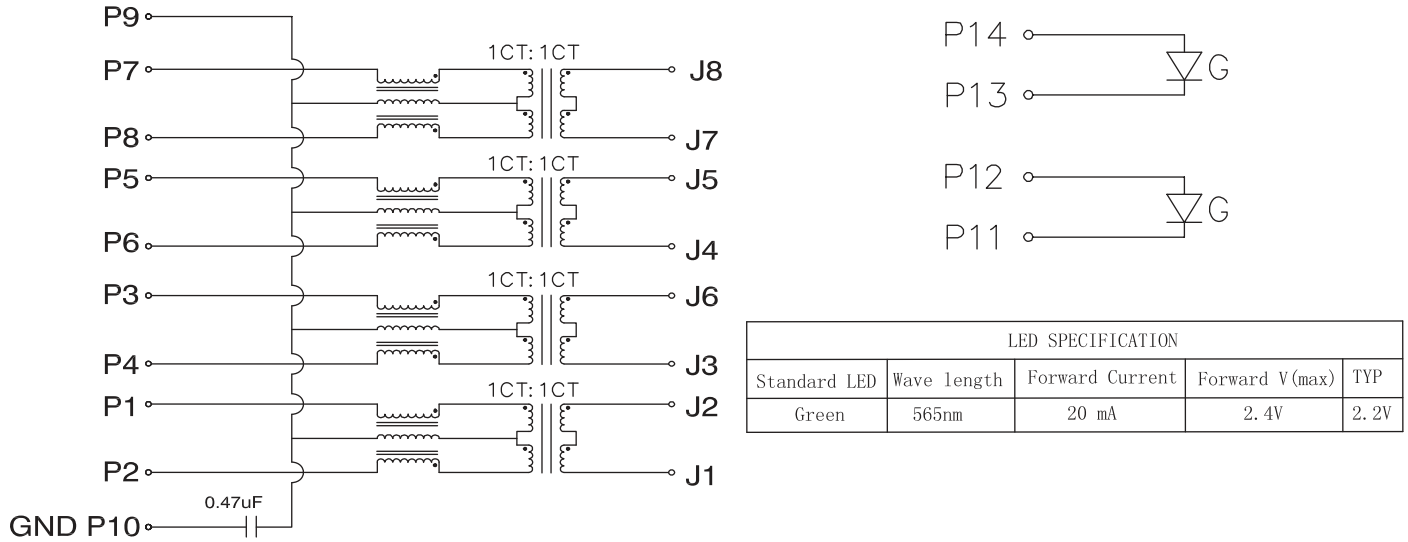
- A = 59.13
- B = 14.04
- C = 25.36
- D = 3.10

Tolerances ±0.254

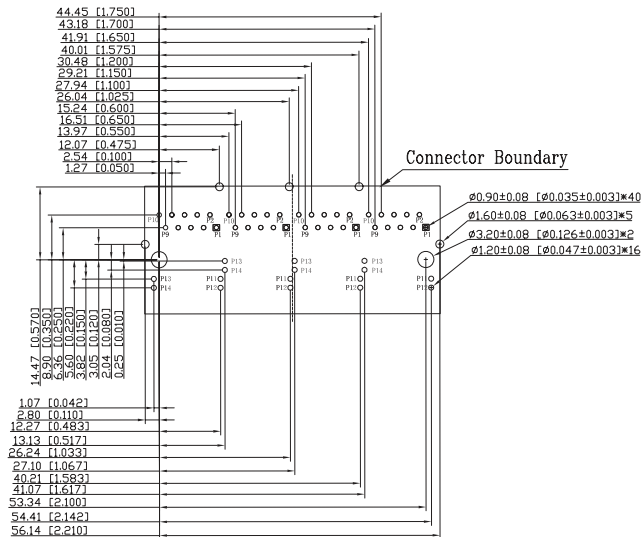




SCHEMATICS



PCB LAYOUT



NOTES

- CONNECTOR MATERIAL:
HOUSING: THERMOPLASTIC BLACK UL94 V-0
SHIELD: Brass
SHIELD PLATING: NICKEL
CONTACT: PROSPHOR BRONZE
CONTACT PLATING: SELECTIVE GOLD, 6 MICRO-INCHS MIN IN CONTACT AREA
- PIN NOT ELECTRICALLY CONNECTED MAYBE OMITTED SEE ELECTRICAL DRAWING FOR OMITTED PINS
- RJ45 CAVITIES CONFORM TO FCC RULES AND REGULATION PART 68.
- THE PART IS RECOMMENDED FOR WAVE SOLDERING PROCESS PEAK SOLDERING TEMPERATURE IS 260° C MAX, 10 SECS MAX
- OPERATING TEMPERATURE T=0° C TO +70° C.
- STORAGE TEMPERATURE T=-40° C TO +85° C.