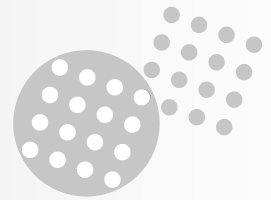


V.35 - Interface connectors



V.35 DTE/DCE Interface connectors

Description

The Telecommunications Standardization Sector TSS V.35, formerly CCITT V.35 is the international standard termed "Data Transmission at 48 Kbps using 60-108 KHz Group-Band Circuits. It makes use of a 34 contact connection system specially designed to be used for DTE/DCE that interface to high speed digital carriers found in computer, modem and telecommunication industries.

Being part of the TRIM TRIO wide range of high reliable rectangular connectors, **MSO34** (boardmount connectors) and **MS34** (cable connectors) are in complete compliance to this specification.

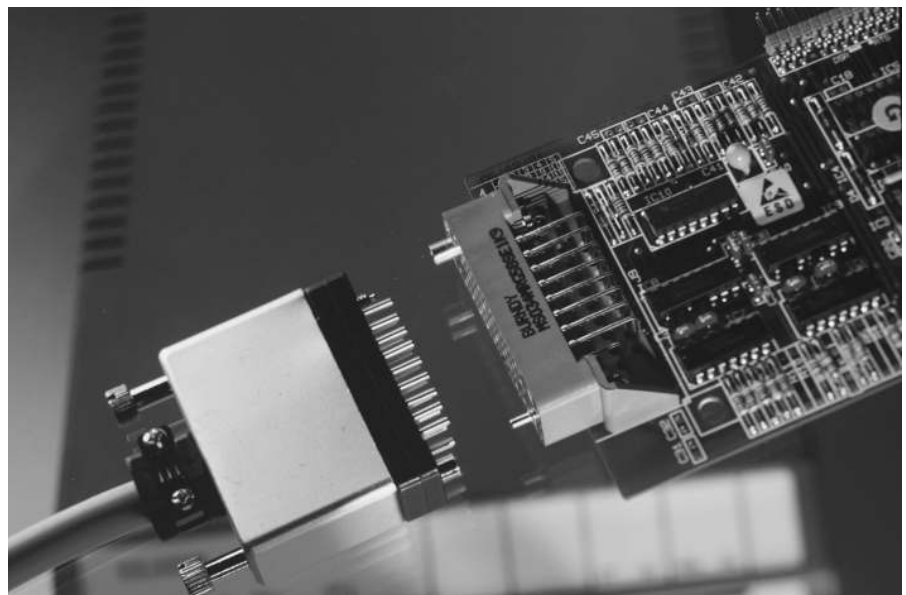
To meet this specification, insulators have been manufactured with 34 contact positions which can be loaded with the international accepted N° 16 TRIM TRIO .0625" (1.6mm) diameter contacts.

The boardmount connectors (**MSO34**) are available in straight and right angle versions equipped with either solid machined or stamped and formed male / female contacts.

The cable connectors (**MS34**) can be offered with a full range of hardware and accessories. Guiding pins and sockets, turnable jackscrew system, different cable hoods with strain relief, pin protection shrouds and discrimination pins make this connector range as complete as possible.

Features and benefits

- Complete compliance with International Standards of ISO 2593 for TTS V.35 (formerly CCITT V.35) interfacing.
- In compliance with NFC 93426 - HE621-622 and MIL-C-28748 specifications.
- UL recognised.
- UL94-V0 rated thermoplastic
- Boardmount connectors supplied pre-assembled with dipsolder contacts in either:
 - Male or female contacts.
 - Machined or stamped and formed contacts
 - Straight or right angle
- Stamped and formed contacts have selective tin plating on solder tails, thus eliminating extra flux operations.
- Selective loading possible on request.
- Right angle version equipped with true position location wafer.
- Hold-down feature available



Intermateability

All the references mentioned are perfectly intermateable, provided that 1 mated pair exists out of a plug half and a receptacle half.

Mated pairs can be made for following applications:

- Cable to cable
- Cable to panel
- Cable to straight or right-angled boardmount

*Technical data on MSO34
PC-Boardmount connectors*

Performance characteristics

| | |
|------------------------|---|
| Operating temperature: | -55°C to +125°C |
| Current rating: | 5 Amp for stamped contacts 7.5 Amp for machined contacts |
| Contact resistance: | ≤ 3mΩ |
| Insulation resistance: | 5000 MΩ min. |
| Test potential: | 2000 VAC |
| Durability: | 500 matings and unmatings. |

Plating table

Plating for solid machined contacts:

No digit (std) = Min. 0.4μ Gold all over, over Nickel.

T = 3 - 5μ Tin all over

Plating for Stamped and formed contacts :

K9 (std) = Min. 0.4μ Gold in contact area, 3 - 5μ SnPb on solder tail.

T = 3 - 5μ Tin all over

Construction

Material : Glass-reinforced thermoplastic
Flammability rating : UL94-V0
Polarising hardware: Brass nickel plated
Contacts: High conductive copper alloy

*Technical data on MS34
Cable connectors*

Performance characteristics

| | |
|------------------------|----------------------------|
| Operating temperature: | -55°C to +125°C |
| Insulation resistance: | 5000 MΩ min. |
| Test potential: | 2000 VAC |
| Durability: | 500 matings and unmatings. |
| Vibration resistance: | Per MIL-STD 202 method 204 |
| Shock: | Per MIL-STD 202 method 207 |

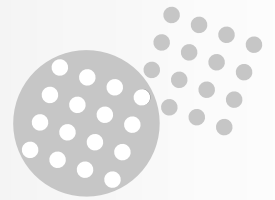
Contact accommodation

- "MS" Cable connectors accept TRIM TRIO size 16 removable snap-lock contacts (see contact section)
- Contacts to be ordered separately

Construction

Connector body: Glass-reinforced Phenolic
Flammability rating : UL94-V0
Cable hoods: Aluminium alloy or Polyamide 6.6
Cable clamps: Stainless steel
Protection Shrouds: Aluminium alloy

V.35 - Interface connectors

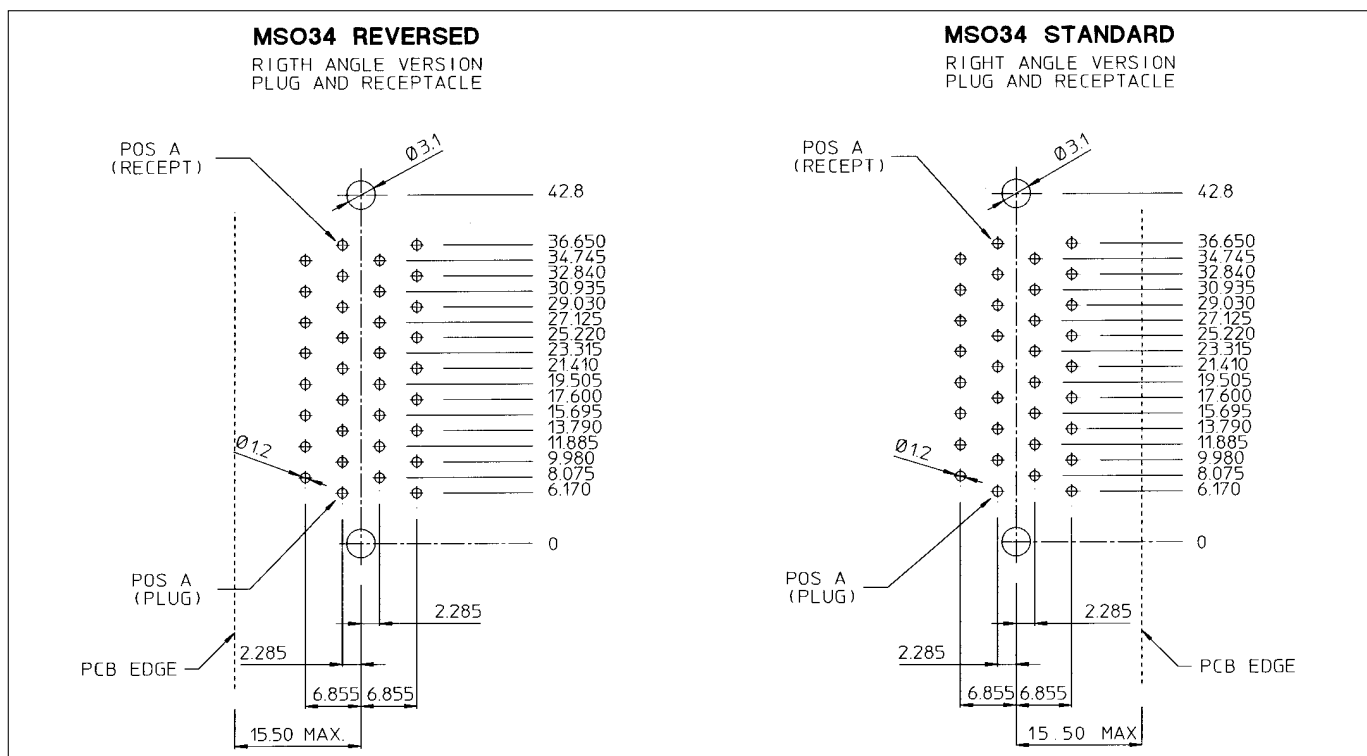


How to order

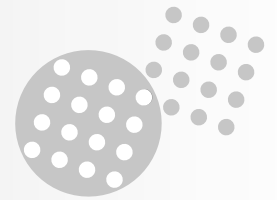
| | | | | | | | | |
|----------------------------|---|-----------|----------|----------|----------|-----------|------------|-----------|
| Connector family | MSO | 34 | M | R | G | 58 | SE1 | K9 |
| Contact arrangement | | | | | | | | |
| N° 16 contacts | | | | | | | | |
| Type of housing | P: Plug body with male contacts R: Receptacle body with female contacts | | | | | | | |
| Contact termination | K: straight dipsolder G: Right angle dipsolder H: Reversed version | | | | | | | |
| Type of hardware | 1: Guide pin and socket 58: Threaded jackscrew pin and socket | | | | | | | |
| Design variation | E1: Solid machined contacts SE1: Stamped and formed contacts SL1: Metal bracket SEH1: Hold down rivets | | | | | | | |
| Plating indication | | | | | | | | |

MSO34 recommended drilling hole pattern

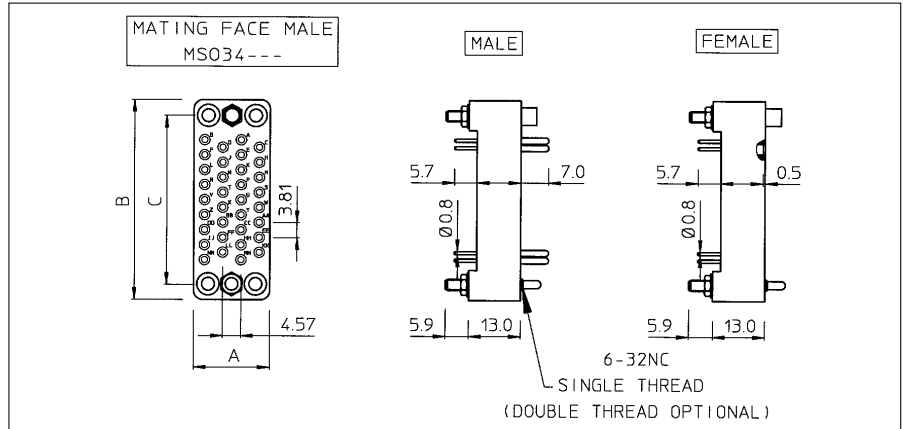
Size 34



V.35 - Interface connectors



MSO34 Straight boardmount connectors



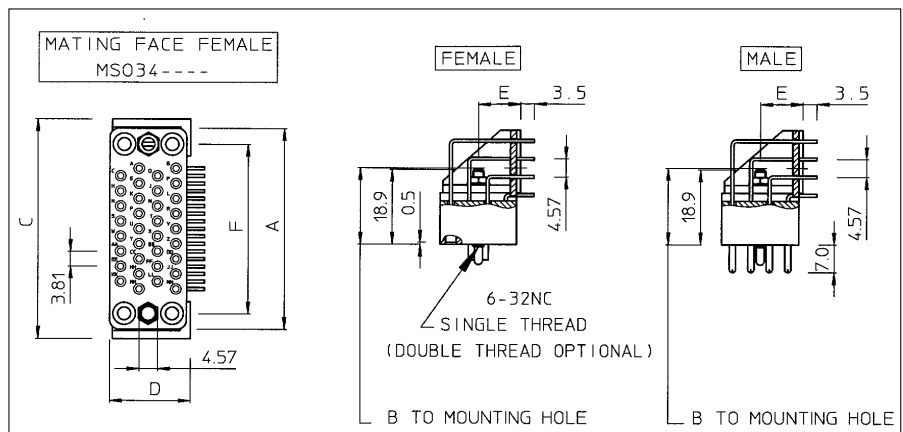
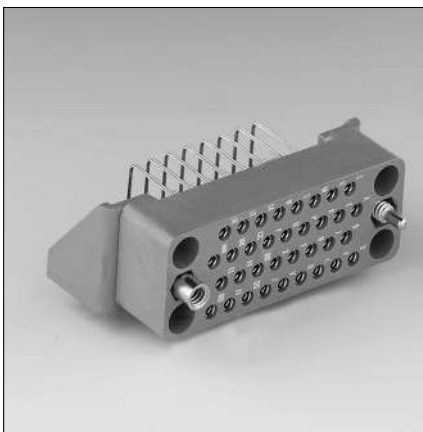
| Part number | | Description |
|--------------------------------------|--|---|
| Version with solid machined contacts | Version with stamped and formed contacts | |
| MSO34MPK1E1 | MSO34MPK1SE1K9 | Guide pin, guide socket and male contacts |
| MSO34MRK1E1 | MSO34MRK1SE1K9 | Guide pin, guide socket and female contacts |
| MSO34MPK58E1 | MSO34MPK58SE1K9 | Jackscrew pin, jackscrew socket and male contacts |
| MSO34MRK58E1 | MSO34MRK58SE1K9 | Jackscrew pin, jackscrew socket and female contacts |

For other platings: See plating table

Other solder tail lengths on request

Selective loading on request

MSO34 Right-angled boardmount connectors



| Part number | | Description |
|--------------------------------------|--|---|
| Version with solid machined contacts | Version with stamped and formed contacts | |
| MSO34MPG1E(*)1 | MSO34MPG1SE(*)1K9 | Guide pin, guide socket and male contacts |
| MSO34MRG1E(*)1 | MSO34MRG1SE(*)1K9 | Guide pin, guide socket and female contacts |
| MSO34MPG58E(*)1 | MSO34MPG58SE(*)1K9 | Jackscrew pin, jackscrew socket and male contacts |
| MSO34MRG58E(*)1 | MSO34MRG58SE(*)1K9 | Jackscrew pin, jackscrew socket and female contacts |

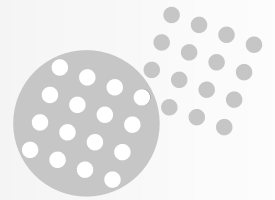
For other platings: See plating table

Other solder tail lengths on request

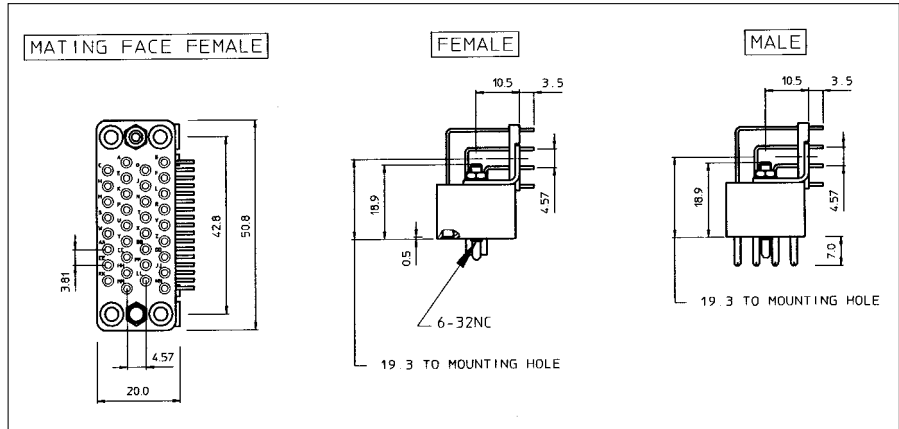
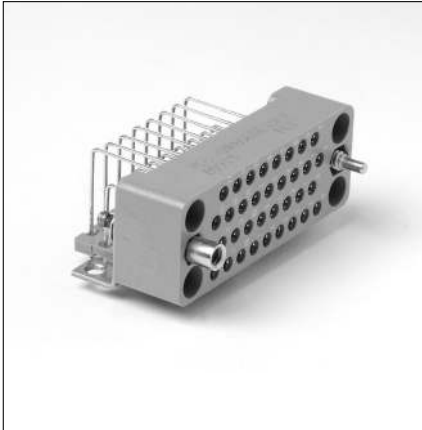
Selective loading on request

(*) Complete part number with "H" for connector with hold down rivets

V.35 - Interface connectors



MSO34 Right-angled boardmount connectors – Standard version with metal brackets



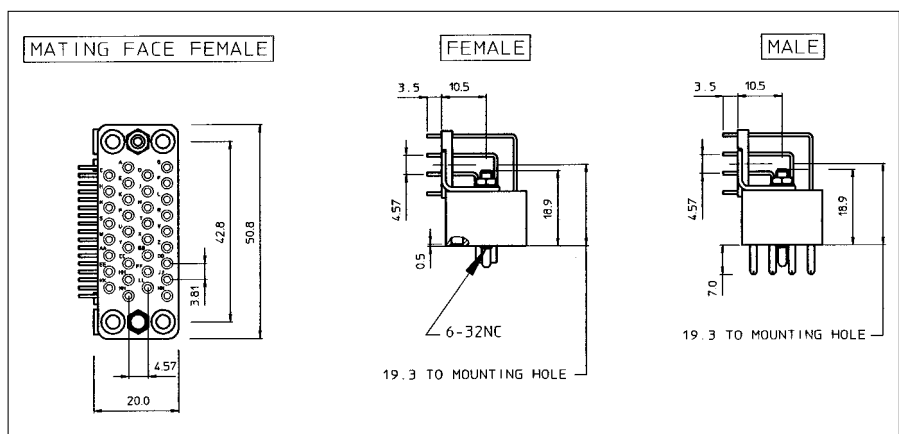
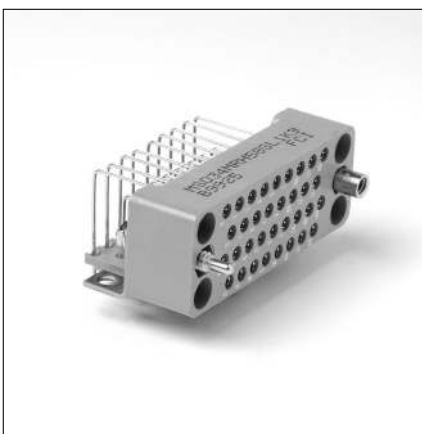
| Part number Version with stamped and formed contacts | Description |
|--|---|
| MSO34MPG1SL1K9 | Guide pin, guide socket and male contacts |
| MSO34MRG1SL1K9 | Guide pin, guide socket and female contacts |
| MSO34MPG58SL1K9 | Jackscrew pin, jackscrew socket and male contacts |
| MSO34MRG58SL1K9 | Jackscrew pin, jackscrew socket and female contacts |

For other platings: See plating table

Other solder tail lengths on request

Selective loading on request

MSO34 Right-angled boardmount connectors – Reversed version with metal brackets



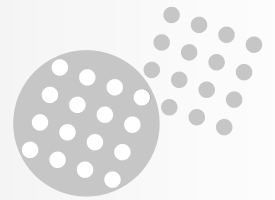
| Part number Version with stamped and formed contacts | Description |
|--|---|
| MSO34MPH1SL1K9 | Guide pin, guide socket and male contacts |
| MSO34MRH1SL1K9 | Guide pin, guide socket and female contacts |
| MSO34MPH58SL1K9 | Jackscrew pin, jackscrew socket and male contacts |
| MSO34MRH58SL1K9 | Jackscrew pin, jackscrew socket and female contacts |

For other platings: See plating table

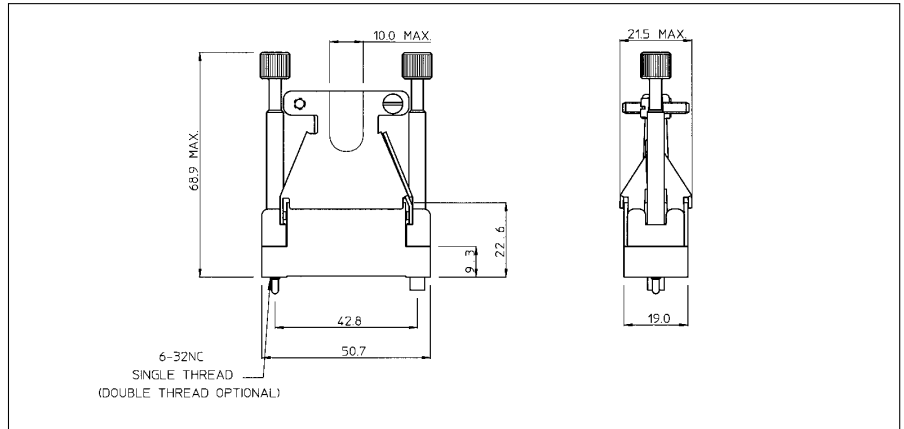
Other solder tail lengths on request

Selective loading on request

V.35 - Interface connectors



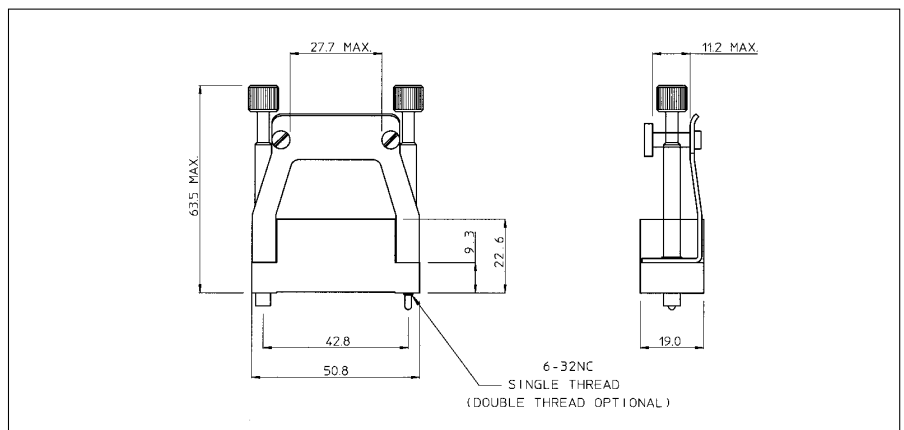
MS34 Cable connectors with metal butterfly hood



| Part number | | Description |
|----------------------------|------------------------------|--|
| Version with male contacts | Version with female contacts | |
| MS34PM120(*)GE00 | MS34RM120(*)GE00 | Guide pin, guide socket and butterfly hood. |
| MS34PM140(*)GE00 | MS34RM140(*)GE00 | Jackscrew pin, jackscrew socket and butterfly hood. |
| MS34PM124(*)GE00 | MS34RM124(*)GE00 | Turnable jackscrew pin, turnable jackscrew socket and butterfly hood. |
| MS34PM1(*)GE00 | MS34RM1(*)GE00 | Guide pin and guide socket. No strain relief hood |
| MS34PM58(*)GE00 | MS34RM58(*)GE00 | Jackscrew pin and jackscrew socket. No strain relief hood. |
| MS34PM007(*)GE00 | MS34RM007(*)GE00 | Turnable jackscrew pin and turnable jackscrew socket. No strain relief hood. |

(*) Complete catalogue number with "S" for connector with protective shroud.

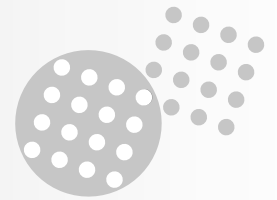
MS34 Cable connectors with cable clamp



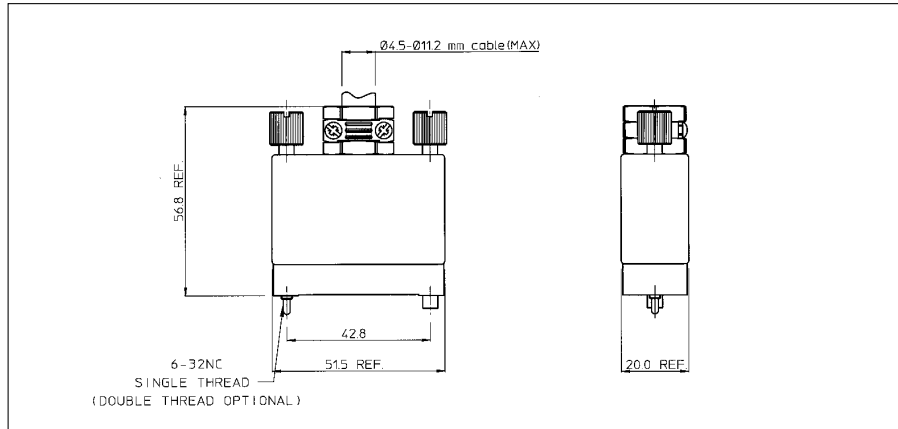
| Part number | | Description |
|----------------------------|------------------------------|--|
| Version with male contacts | Version with female contacts | |
| MS34PM117(*)GE00 | MS34RM117(*)GE00 | Guide pin, guide socket and cable clamp |
| MS34PM127(*)GE00 | MS34RM127(*)GE00 | Jackscrew pin, jackscrew socket and cable clamp |
| MS34PM107(*)GE10 | MS34RM107(*)GE10 | Turnable jackscrew pin, turnable jackscrew socket and cable clamp. |

(*) Complete catalogue number with "S" for connector with protective shroud.

V.35 - Interface connectors



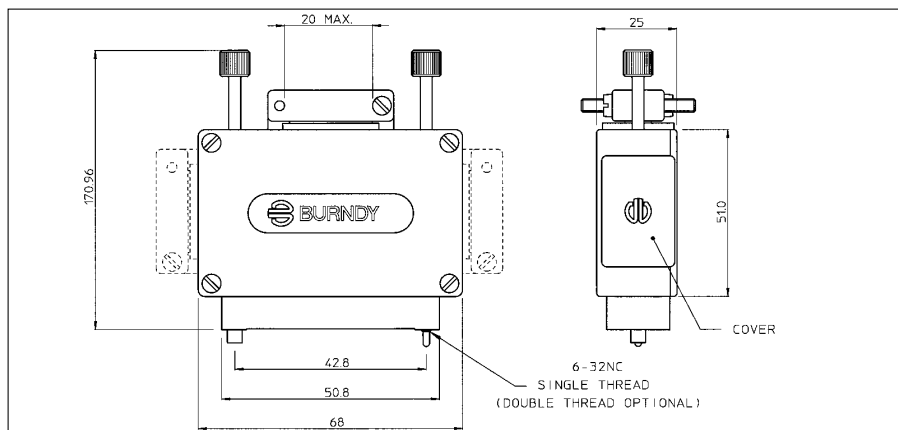
MS34 Cable connectors with metal suitcase hood



| Part number | | Description |
|----------------------------|------------------------------|--|
| Version with male contacts | Version with female contacts | |
| MS34PMEHM(*) | MS34RMEHM(*) | Anodised hood, plastic strain relief and turnable hardware. |
| MS34PMSEHM(*) | MS34RMSEHM(*) | Shielded version with nickel plated hood, metal strain relief and turnable hardware. |
| MS34PMEHMMET1 | MS34RMEHMMET1 | Version with spring loaded jackscrews |

(*) Complete catalogue number with "S" for connector with protective shroud.

MS34 Cable connectors with plastic suitcase hood



| Part number | | Description |
|----------------------------|------------------------------|--|
| Version with male contacts | Version with female contacts | |
| MS34PMEH2(*) | MS34RMEH2(*) | Guide pin, guide socket and plastic suitcase hood. |
| MS34PMEH3(*) | MS34RMEH3(*) | Jackscrew pin, jackscrew socket and plastic suitcase hood. |
| MS34PMEH0(*) | MS34RMEH0(*) | Turnable jackscrew pin, turnable jackscrew socket and plastic suitcase hood. |

(*) Complete catalogue number with "S" for connector with protective shroud.