



## VTD-SC-O

## 100W



### FEATURES

#### Available Inputs

- 12 VDC Nom (DC9~18V)
- 24 VDC Nom(DC 18~36V)
- 48 VDC Nom(DC 38~63V)
- 110 VDC Nom(DC 85~160V)

Oversvoltage 115-140% of rating

#### • 2 Year Warranty

- PART No. Description: VTB\_\_SC\_\_-O

↑                    ↑  
 Output Voltage    Input Voltage (nominal)

**RoHS**

MODEL/CHANNEL		Unit	VTD**SC12-O	VTD**SC24-O	VTD**SC48-O	VTD**SC110-O
INPUT	Nominal Voltage	V	12	24	48	110
	Current Typ	A	15	10	4	1.4
	Inrush Current	VDC	65 (Ta=25°C, Io=100% at cold start) 65 (Ta=25°C, Io=100% at cold start) 65 (Ta=25°C, Io=100% at cold start) 40 (Ta=25°C, Io=100% at cold start)			
	12VDC 24VDC 48VDC 110VDC					

MODEL/CHANNEL		Unit	VTD05SC**-O	VTD12SC**-O	VTD15SC**-O	VTD24SC**-O
OUTPUT	Output Voltage	Vdc	5	12	15	24
	Voltage Range	V	4.95 ~ 5.05	11.88~12.12	14.85~15.15	23.76~24.24
	Current	A	20 18 for VTD05SC110	9	7	4.5
	Total Power	W	90~100	108	105	108
	Line Regulation	mV	25	60	75	120
	Load Regulation	mVp	50	120	150	240
	Efficiency	%	70	75	78	80
	Ripple	mVp-p	50	120	150	240
	Ripple and Noise	mVp-p	100	170	200	290
	OVP	V	5.75~7	13.8-16.8	17.25~21	26.4~33.6
	OCP	A	11~13	4.6~5.5	3.7~4.4	2.8~3.3
	Drift	mV	75	180	225	360
	Rise Time	-	500 max [DC IN 9V Io=100%]			
	Hold Time	-	10 typ [DC IN 9V Io=100%]			





VTD-SC

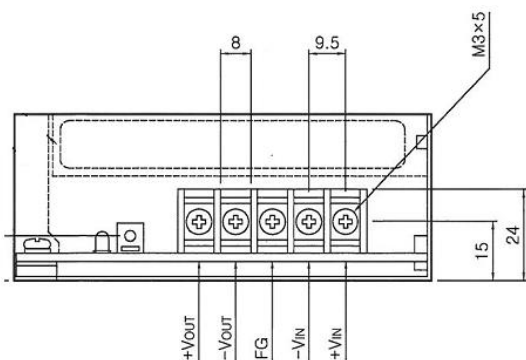
100W

	MODEL/CHANNEL	Unit	
<b>Environment</b>	Operating Temperature	°C	-10 ~ +50°C 20~90% RH(Non condensing)
	Storage Temperature	°C	-20 ~ +75°C 20~90% RH(Non condensing)
	Overvoltage Protection	V	Works at 115-140% of rating
	Overcurrent Protection	A	Works at over 110% of rating and recovers automatically
	Isolation Resistance Input-Output	-	AC 1.5KV 1 min. cut-off: 20mA,/DC 500V 100MΩ
	Isolation Resistance Input-F.G.	-	AC 1.5KV 1 min. cut-off: 20mA,/DC 500V 100MΩ
	Isolation Resistance Output-F.G.	-	AC 500V 1 min. cut-off:100mA, DC 500V 100MΩ
	Vibration	-	10 ~ 55Hz at 1G, 3 minutes period, 30 minutes along X, Y and Z axis
	Cooling	-	Convection
<b>Dimension</b>	Size(WxHxD) / Weight	mm/g	97x54x200/700

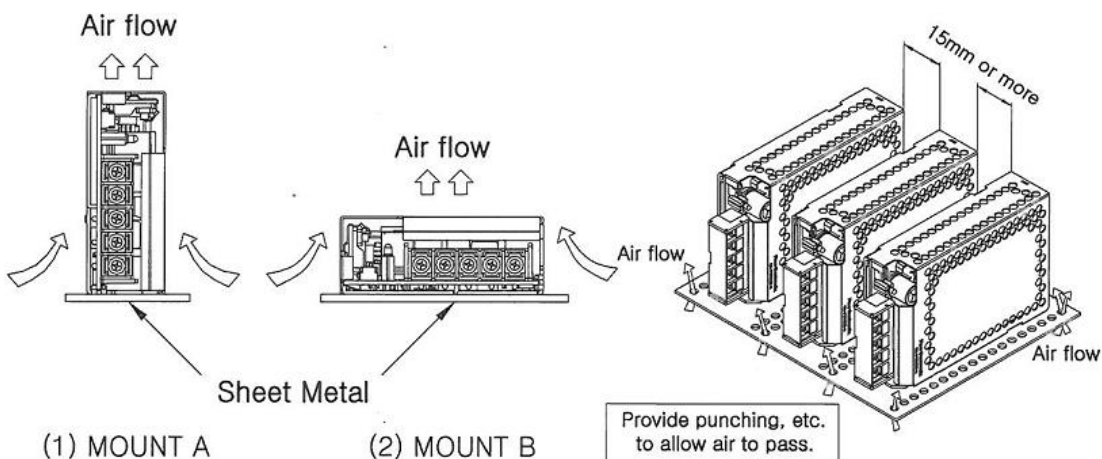




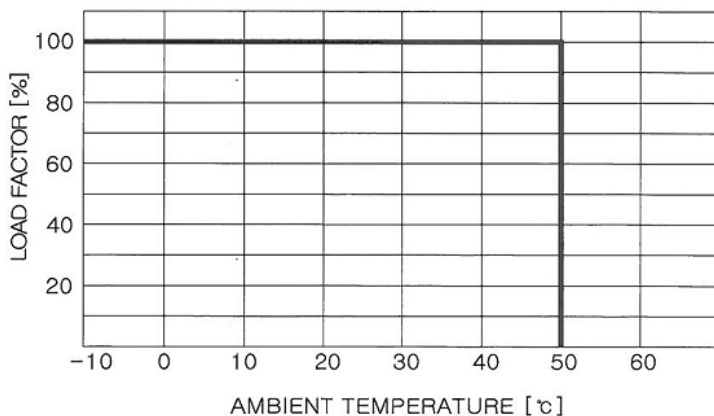
## Terminal Output



Mark	Pin Connection	Function
+Vin	DC Input (+)	DC Input Terminal (+) Fuse In Line
-VIN	DC Output (-)	DC Input Terminal (-)
F.G	Frame Ground	DC Ground Terminal/ Chassis Ground
+V	DC Output (+)	DC Output Terminal (+)
-V	DC Output (-)	DC Output Terminal (-)



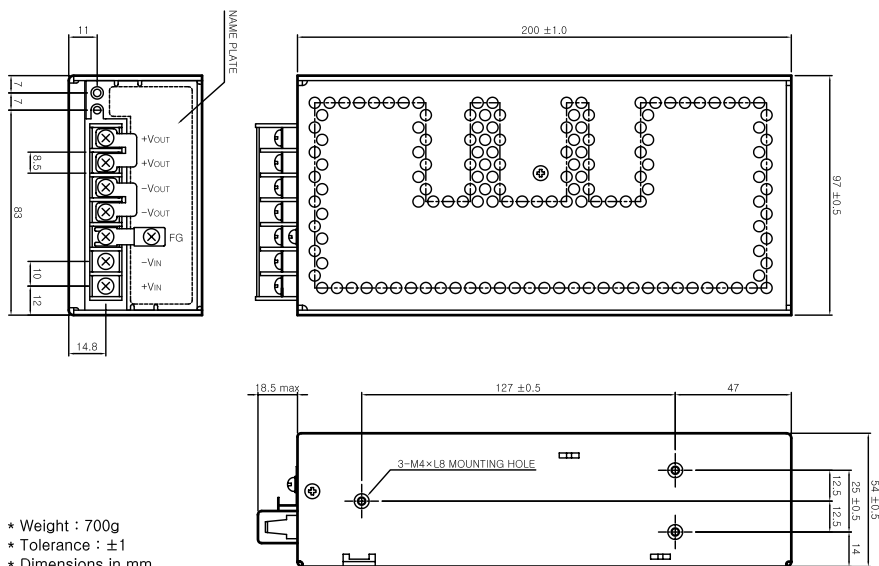
## Efficiency Curve





## Dimension Diagram (mm)

100W



- \* Weight : 700g
- \* Tolerance :  $\pm 1$
- \* Dimensions in mm

## Block Diagram

100W

