

Table with columns: ATLANTIC VERSION TERMINATOR INTERFACE ADAPTER, PART NUMBER, REVISION, DESCRIPTION, FEED TYPE. Includes a diagram of the terminator interface adapter.

APPLICATOR DATA table with columns: CRIMP, SIZE, TYPE. Includes applicator instructions 408-10389 and a reference icon.

Terminal data table with columns: TERMINAL DATA, TE CRIMP SPECIFICATION, WIRE STRIP LENGTH, INSULATION DIAMETER RANGE, TERMINAL APPLICATION SPECIFICATION, TERMINALS APPLIED.

Table with columns: WIRE SIZE, CRIMP HEIGHT mm [INCH], CRIMP HEIGHT REFERENCE SETTING.

- RECOMMENDED SPARE PARTS
GREASE BEARING SURFACES LIGHTLY
3. LUBRICATE DAILY PER THE APPLICATOR INSTRUCTION SHEET SUPPLIED WITH THE APPLICATOR.
4. APPLICATOR SPECIFIC DATA TO BE ENTERED INTO BLANK MEMORY CHIP AT ASSEMBLY...

Table with columns: CONVERT TO, PART NUMBERS REQUIRED. Includes rows for SERVO LATCH PLATE, SMART APPLICATOR, PNEUMATIC FEED, etc.

Table with columns: -77, -7, -6, -5, -2, PART NO, DESCRIPTION, ITEM NO. Includes rows for THREAD BOLT, SHIM PACK, O-RING, etc.

ATLANTIC VERSION
Shown on sheets 1 of 4 & 2 of 4
(Pacific version shown on sheets 3 of 4 & 4 of 4)

Table with columns: SET UP GAUGE, LOC, DIST, REVISIONS. Includes revision history with columns: P, LTR, DESCRIPTION, DATE, DMN, APVD.

Main parts list table with columns: -77, -7, -6, -5, -2, PART NO, DESCRIPTION, ITEM NO. Lists various components like CAM, WASHER, RETAINER, SCR, etc.

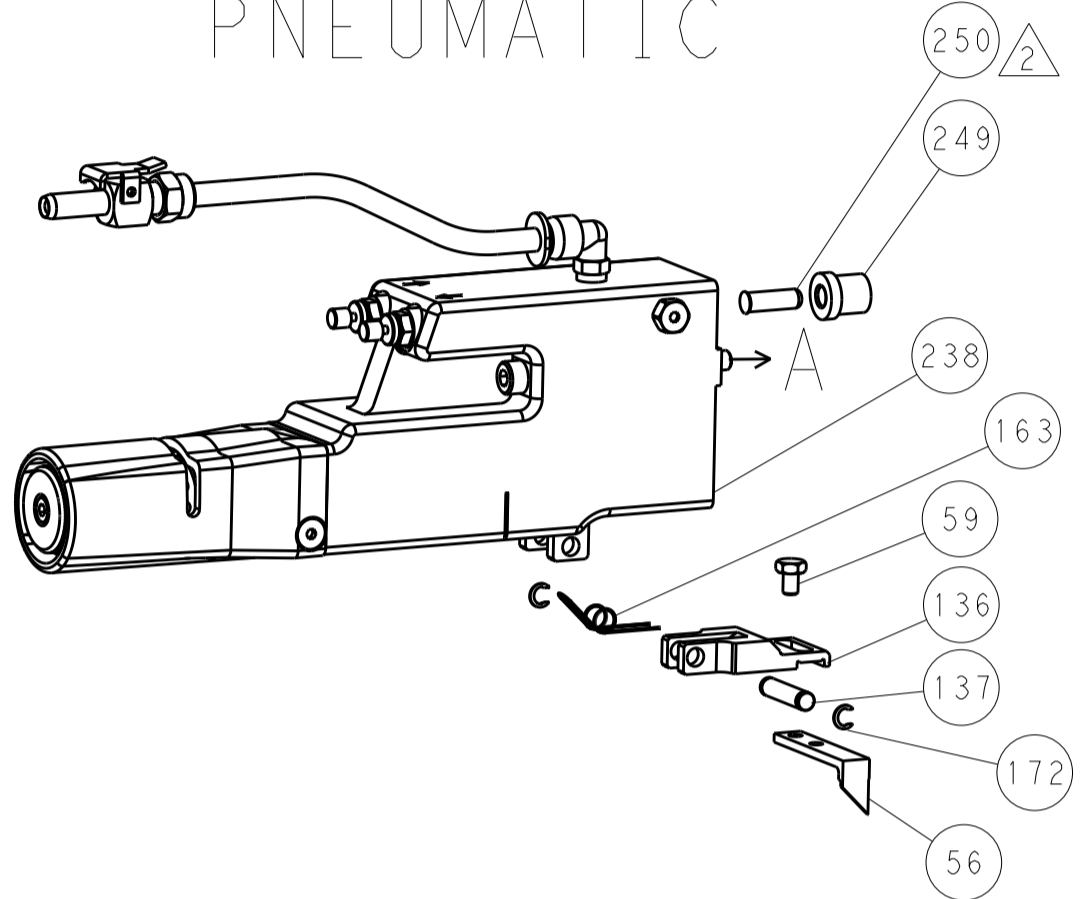
Product information block including dimensions, tolerances, material, and application specifications. Includes a drawing of a crimp and the STE logo.

LOC	DIST	REV	DATE	BY	APPV
A	66				

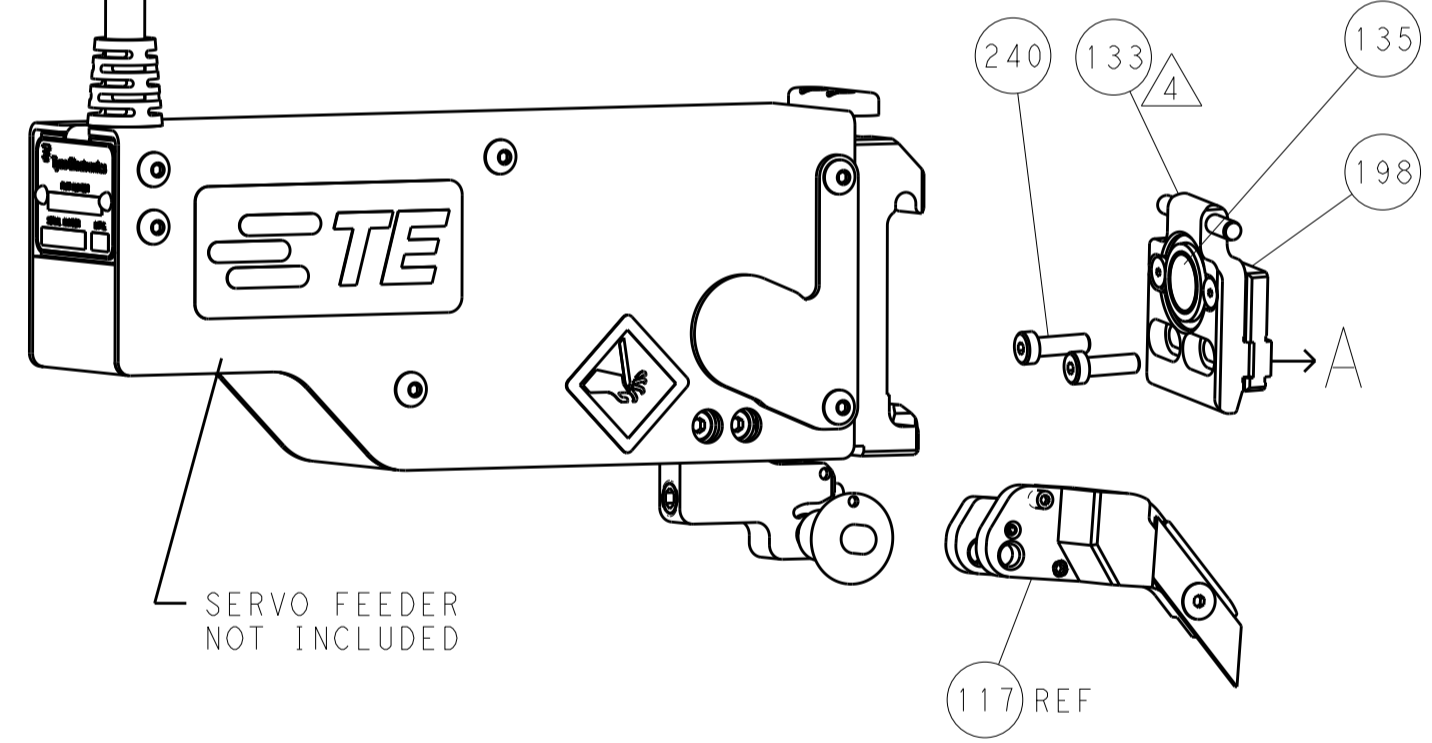
REVISIONS			
REV	DATE	BY	APPV
-	SEE SHEET 1	-	-

FEED TYPE

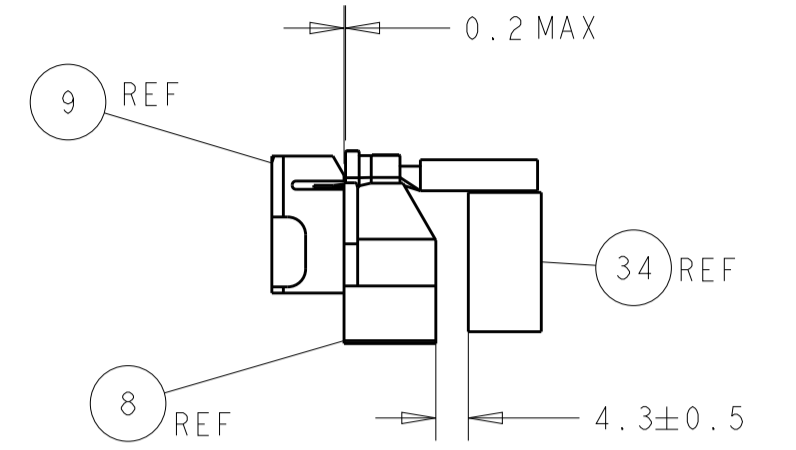
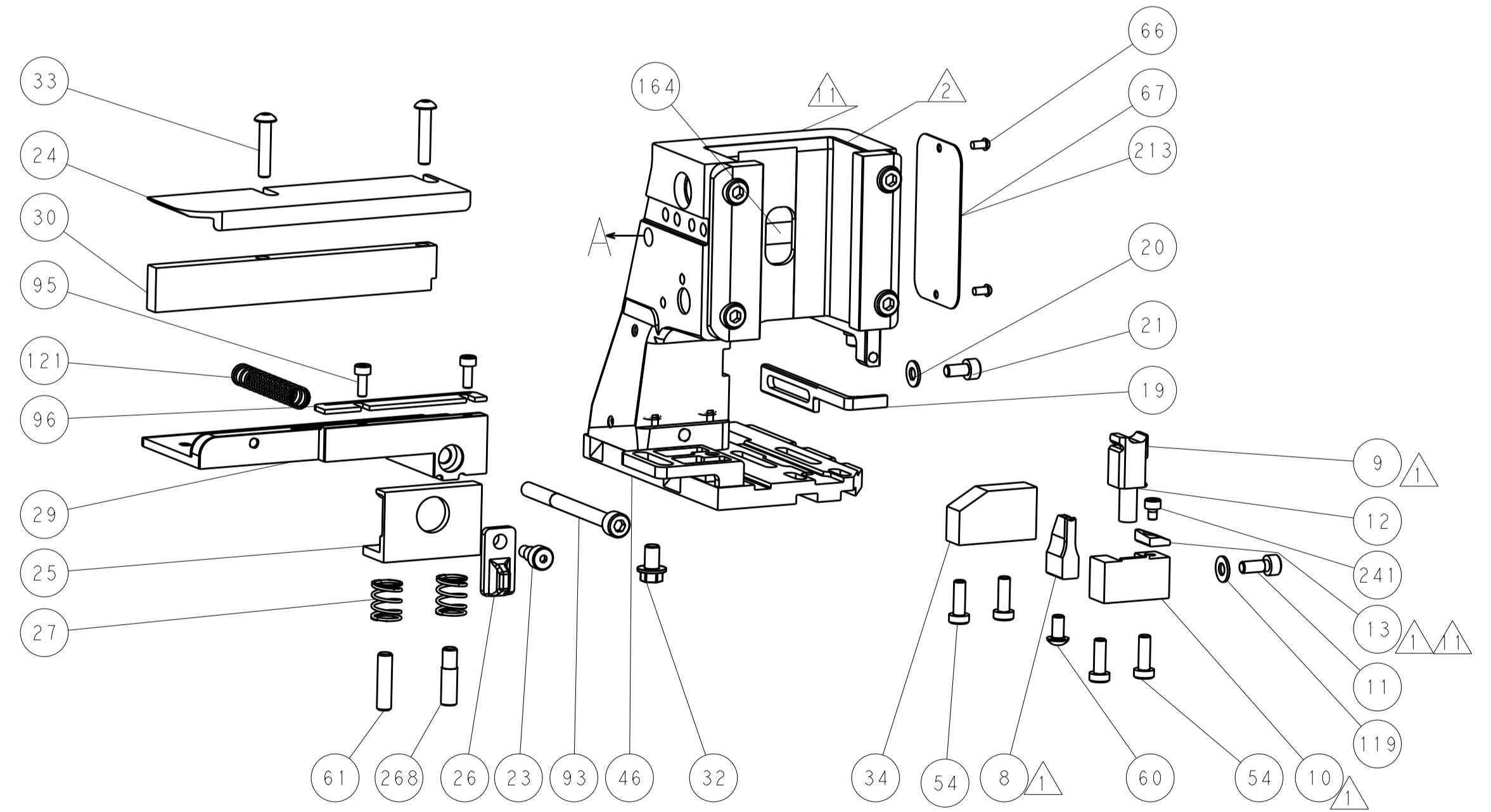
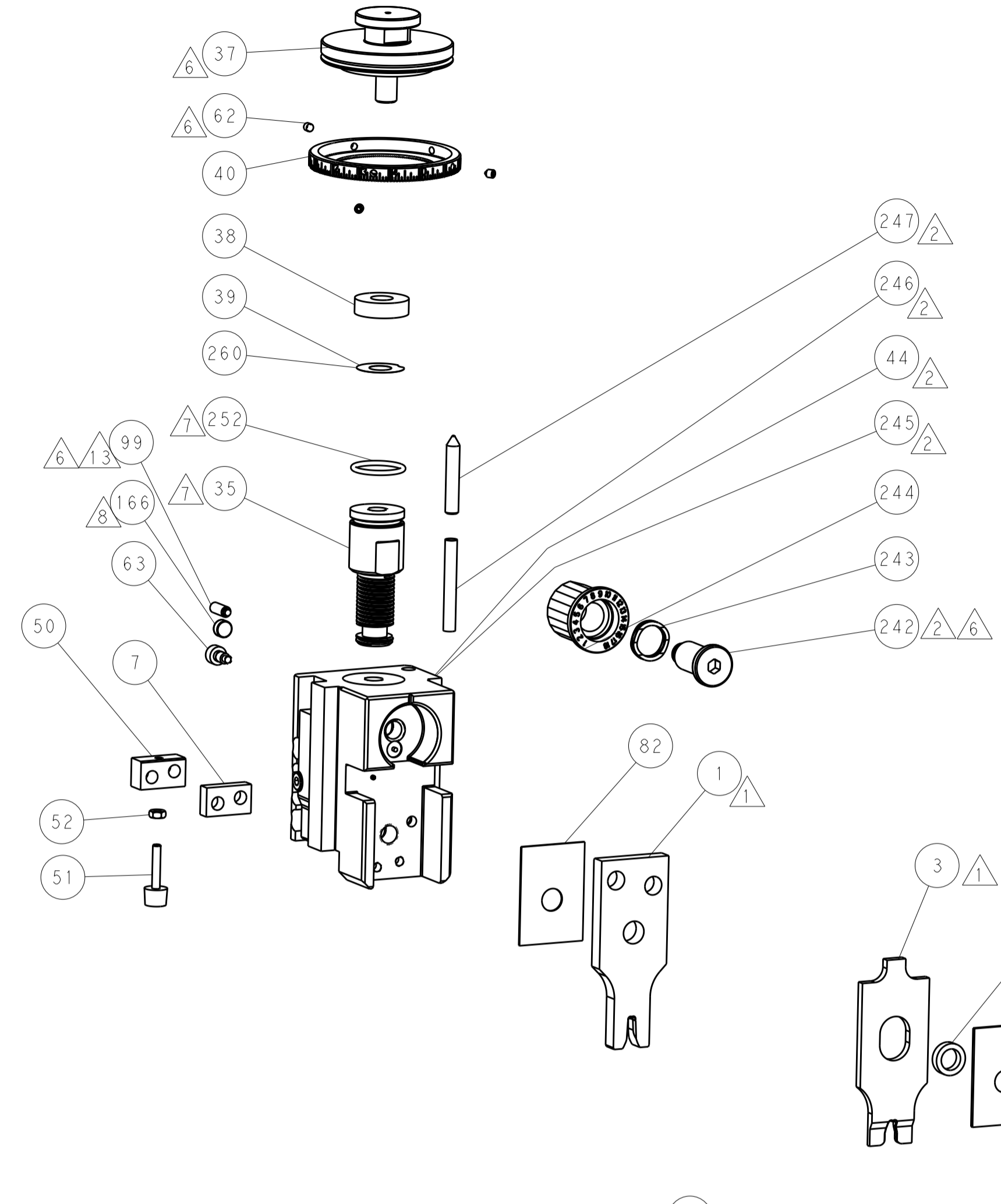
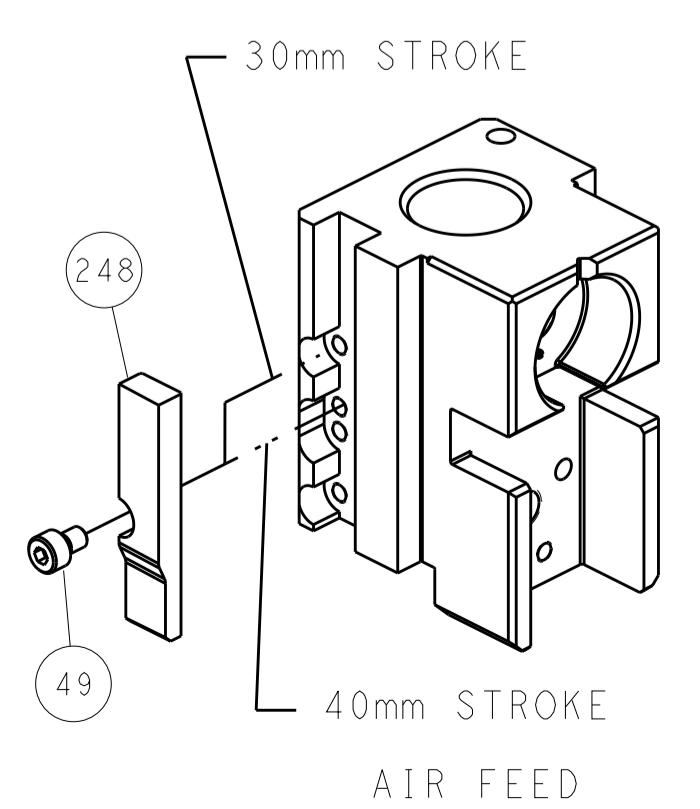
PNEUMATIC



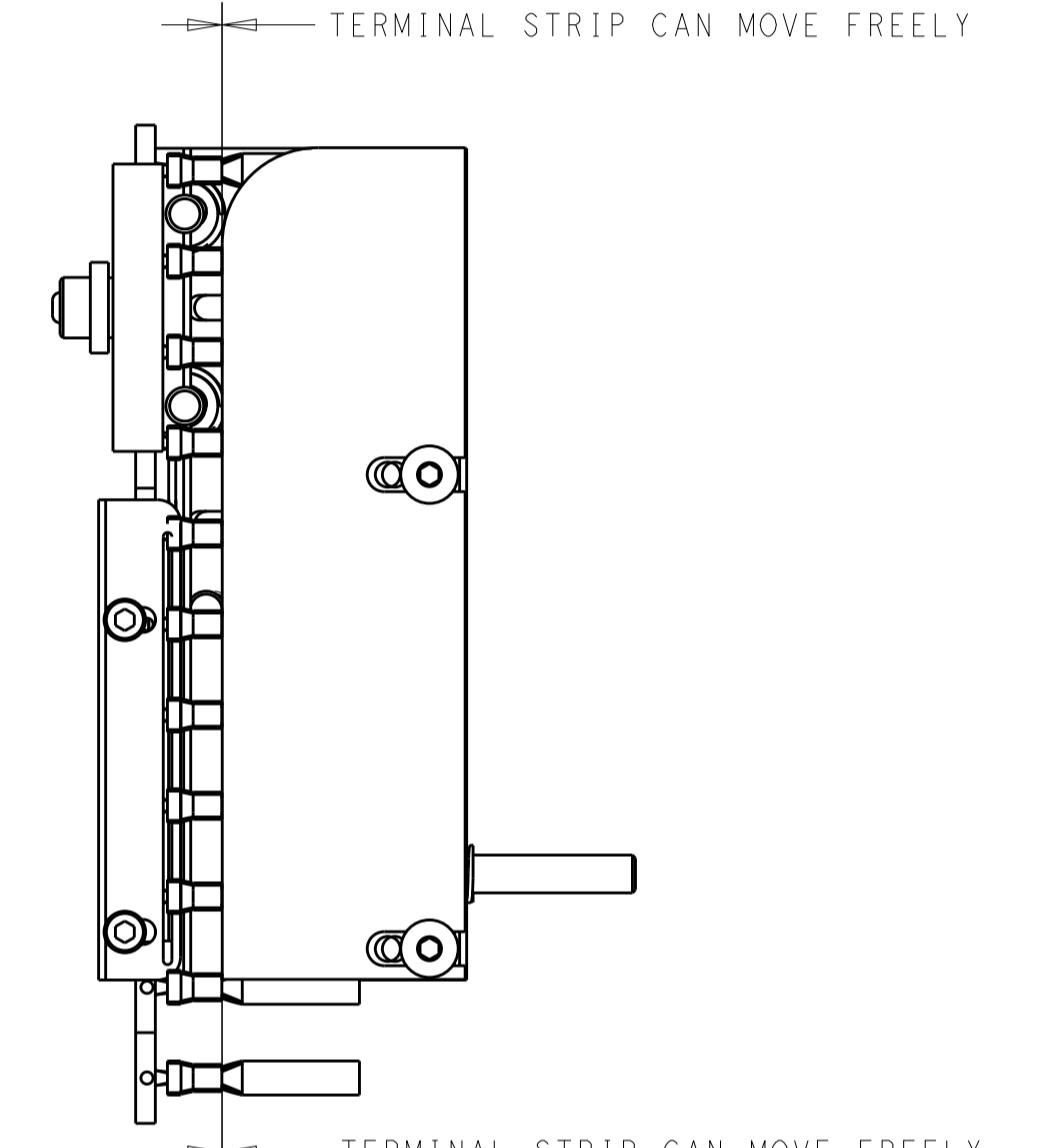
SERVO LATCH PLATE



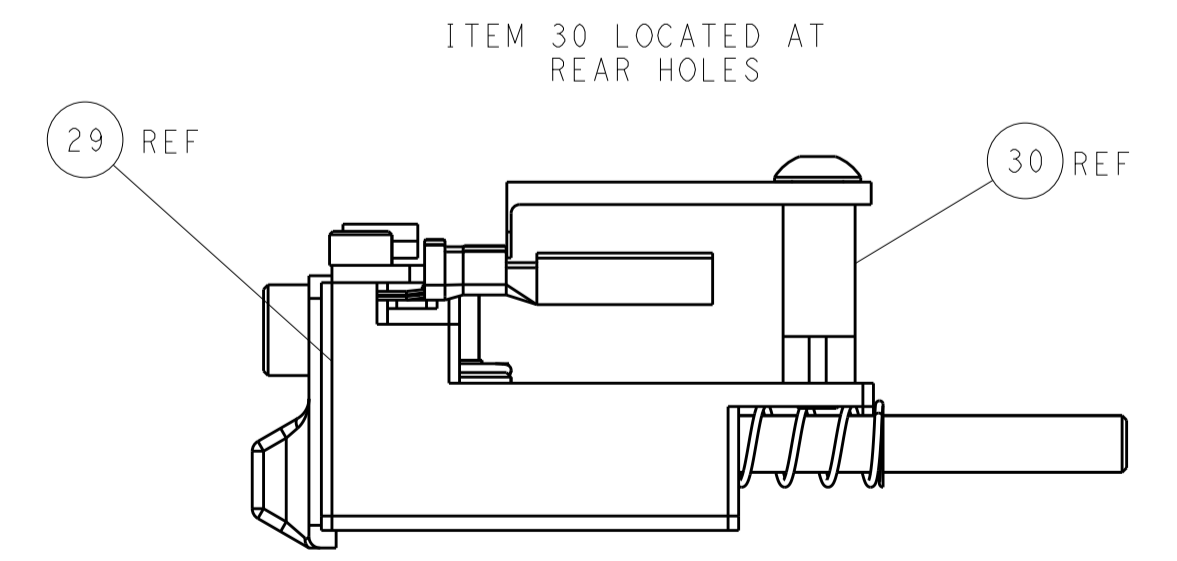
CAM POSITION



TERMINAL SUPPORT LOCATION



TERMINAL STRIP CAN MOVE FREELY WITH A MINIMUM OF SIDE CLEARANCE



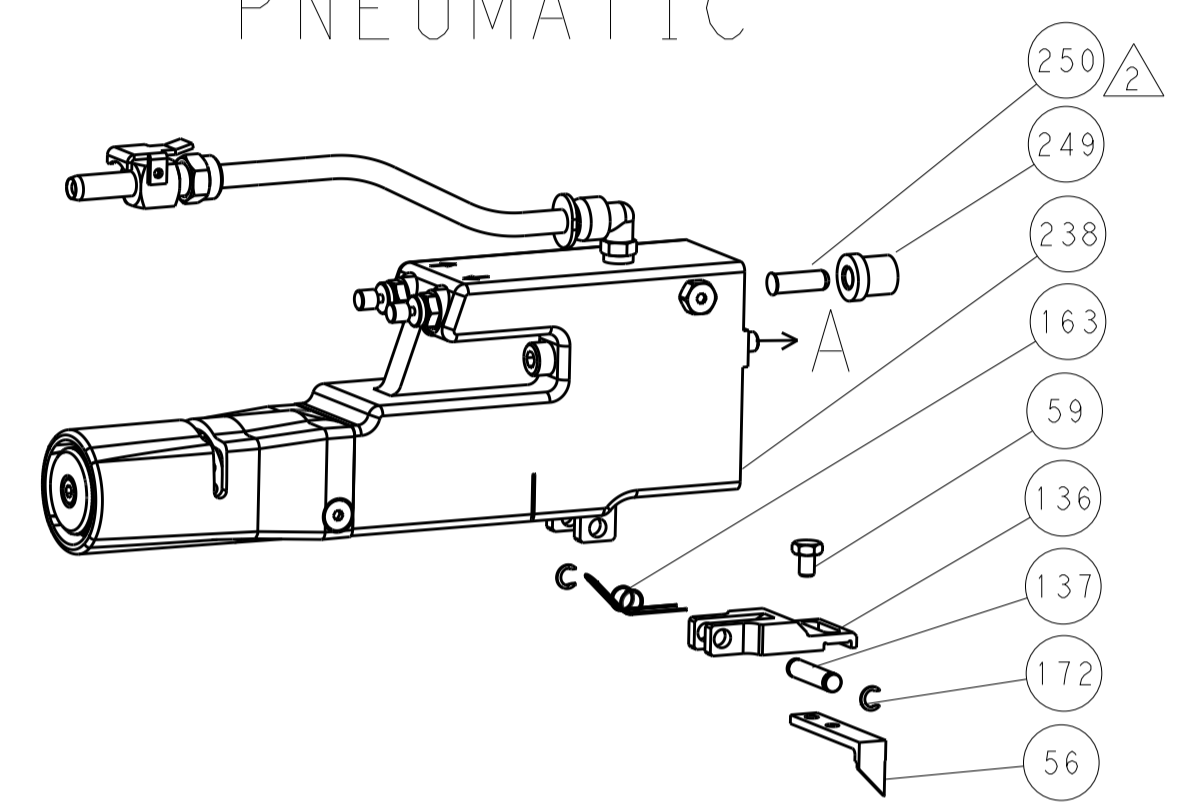
FEED TRACK POSITION GUIDE BY WIRE BARREL

ATLANTIC VERSION
 Shown on sheets 1 of 4 & 2 of 4
 (Pacific version shown on sheets 3 of 4 & 4 of 4)

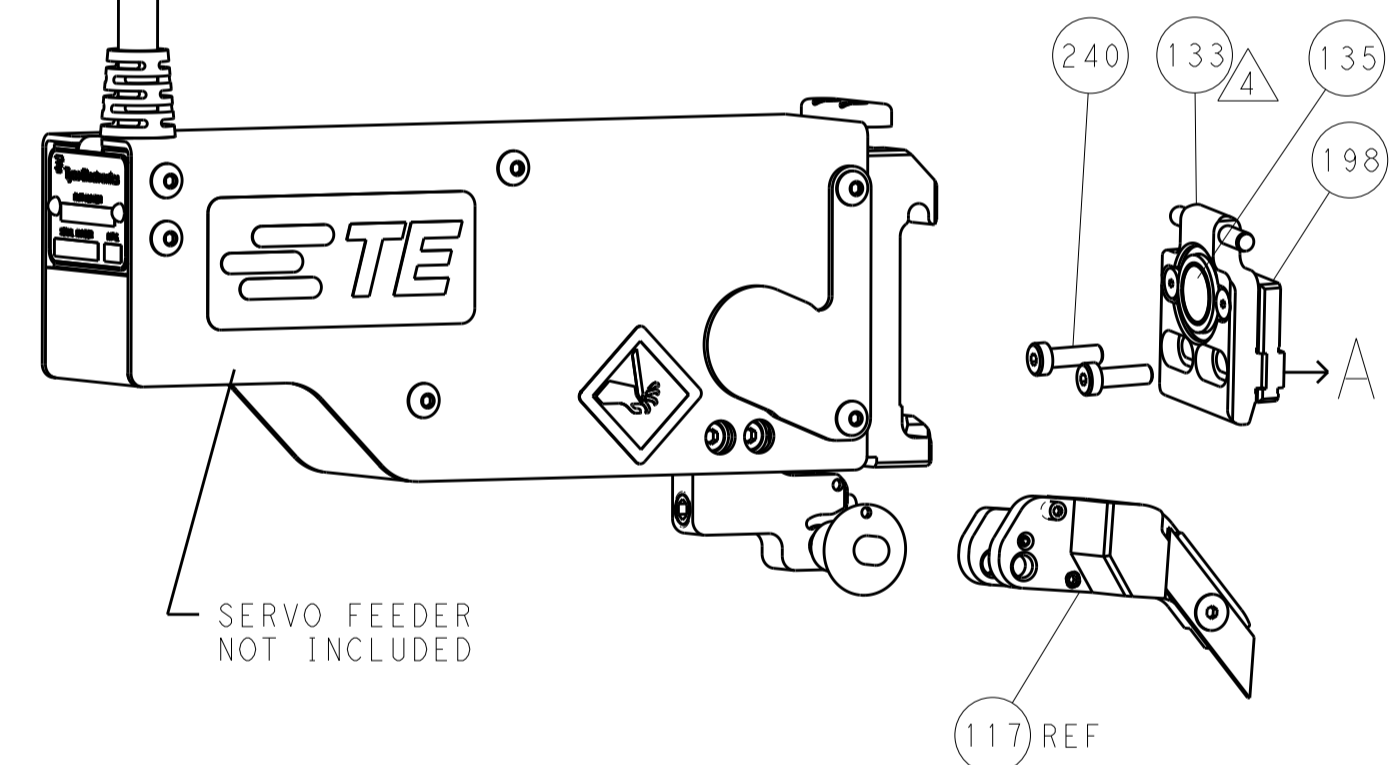
DIMENSIONS:		TOLERANCES UNLESS OTHERWISE SPECIFIED:		DWN: C. CHEN 07FEB2013		TE Connectivity	
mm	0 PLC ±	1 PLC ±	2 PLC ±	3 PLC ±	4 PLC ±	ANGLES ±	TE Connectivity Harrisburg, PA 17105-3608
MATERIAL:	FINISH:	WEIGHT:	SCALE:	SIZE:	CAGE CODE:	DRAWING NO:	RESTRICTED TO:
			1:2	A1	00779	©=2151812	
Customer Accessible Production Drawing				SHEET	2	OF 4	REV F

LOC		DIST		REVISIONS			
A	66	P	LTM	DESCRIPTION	DATE	DMN	APVD
		-		SEE SHEET 1			

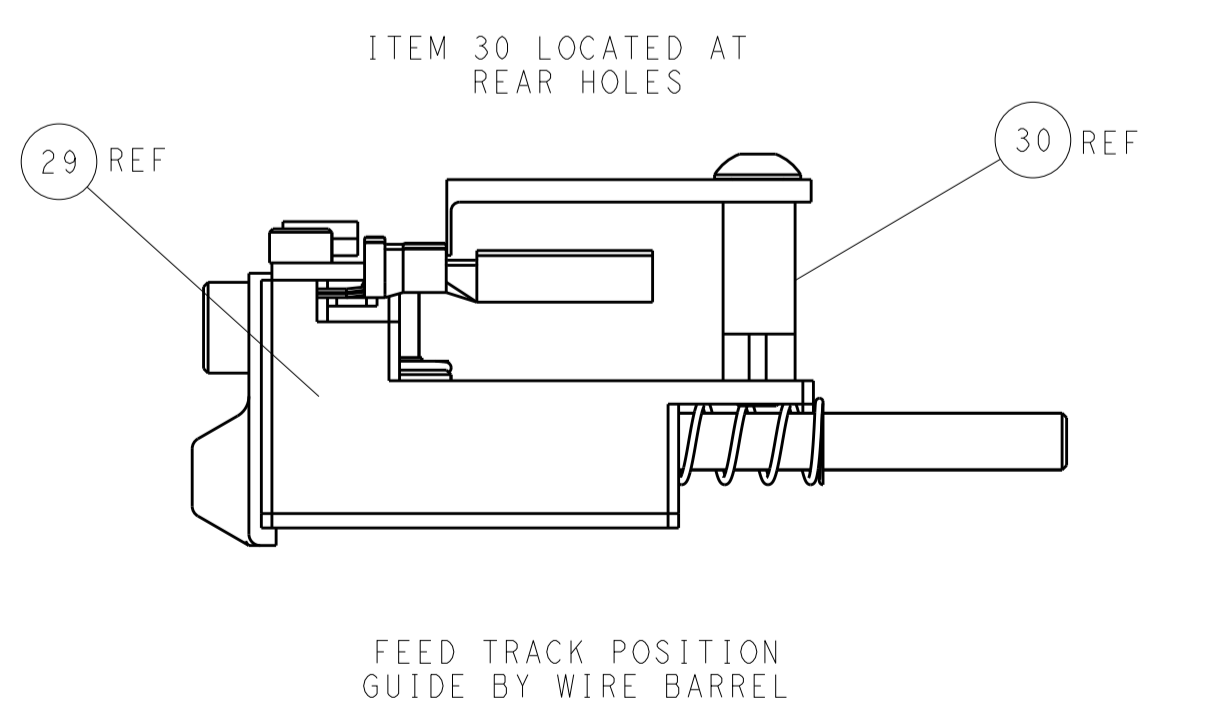
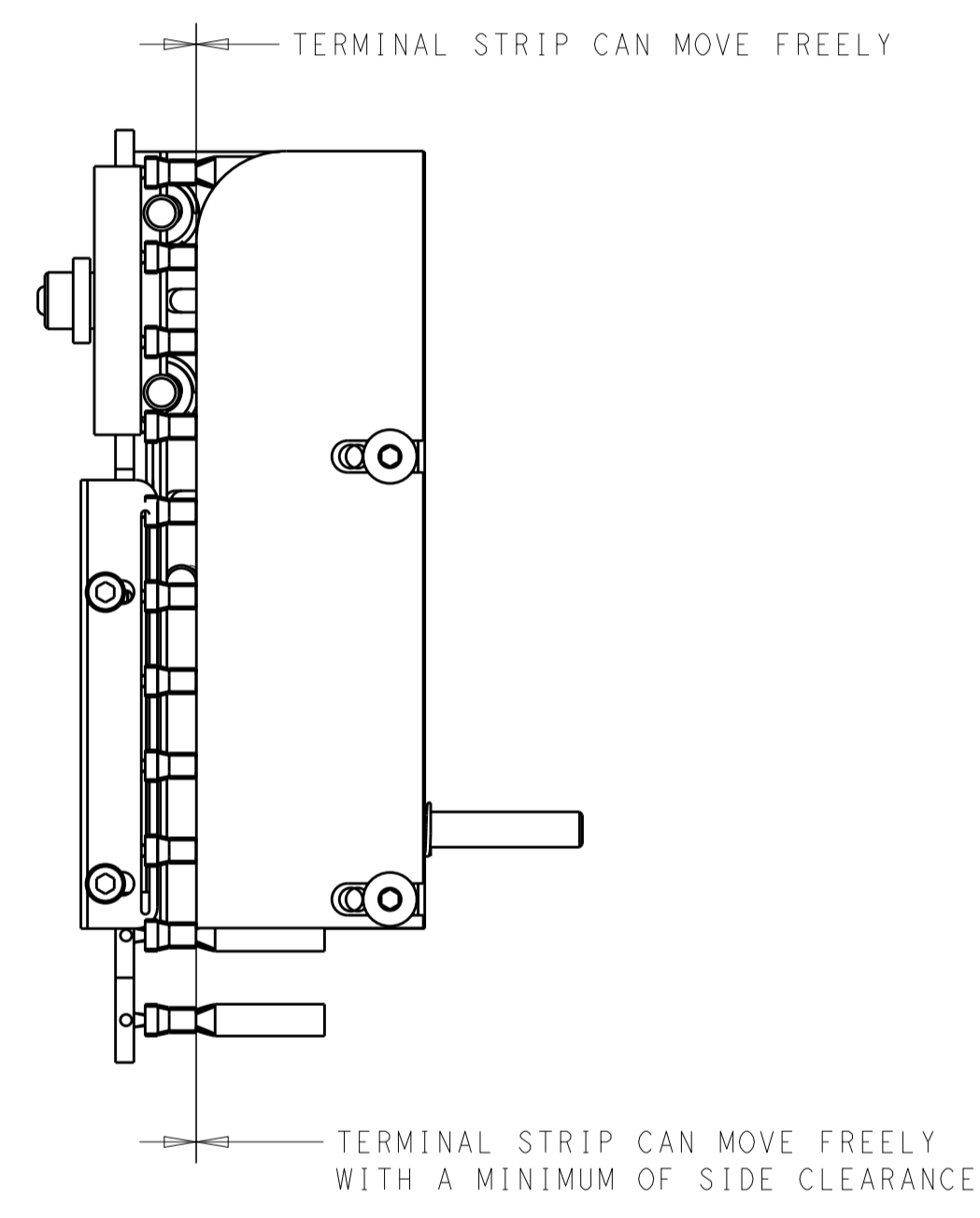
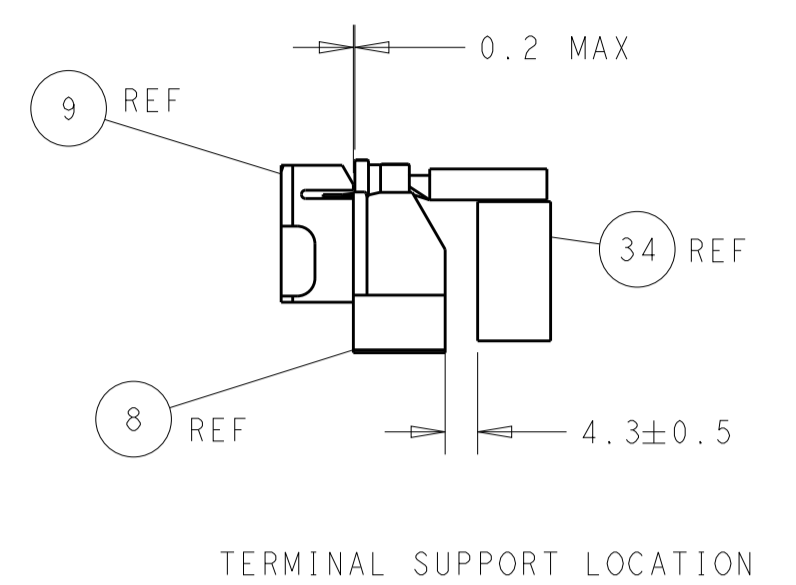
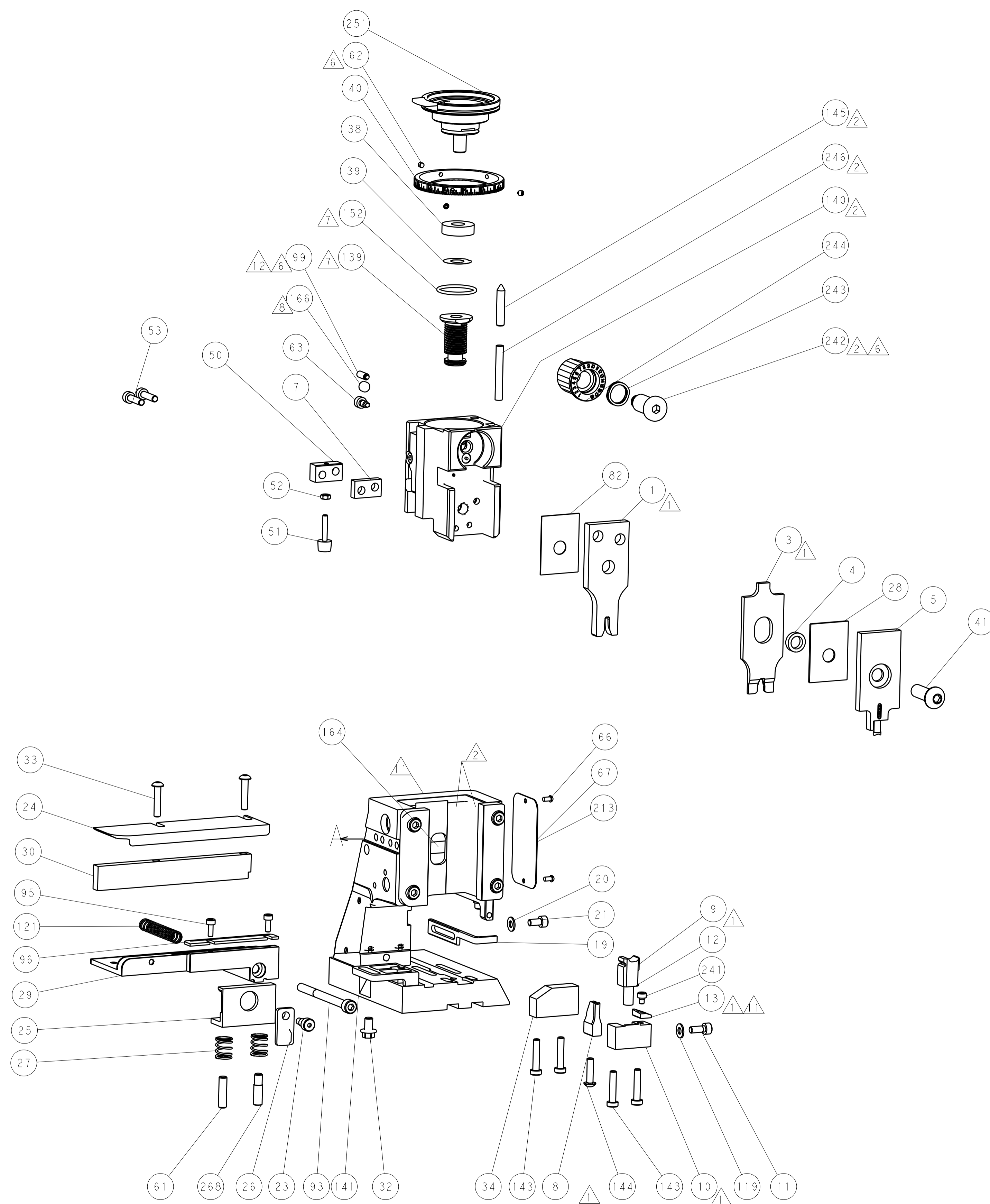
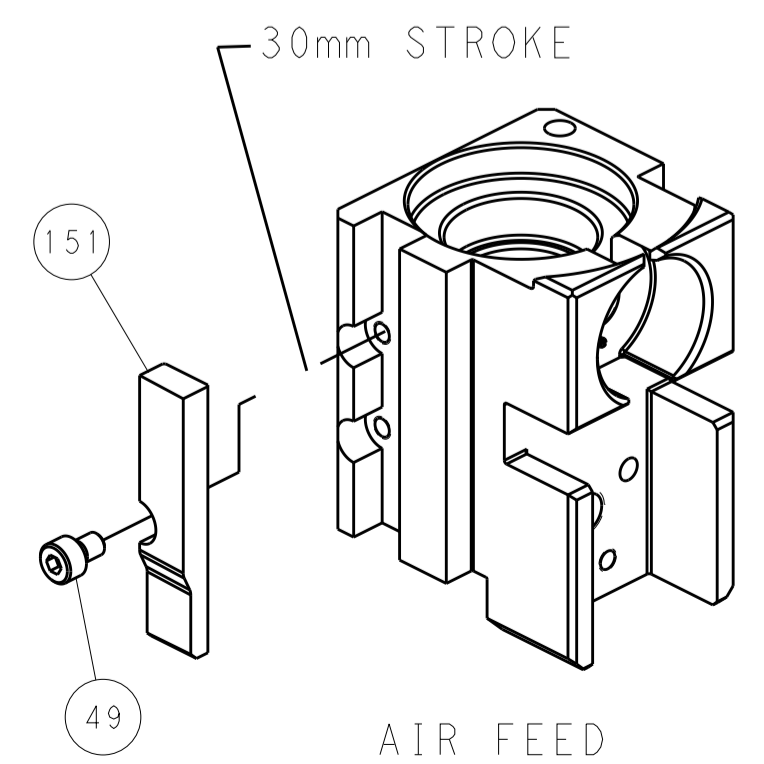
FEED TYPE PNEUMATIC



SERVO LATCH PLATE



CAM POSITION



PACIFIC VERSION
 Shown on sheets 3 of 4 & 4 of 4
 (Atlantic version shown on sheets 1 of 4 & 2 of 4)

<small>THE INFORMATION CONTAINED HEREON IS UNCLASSIFIED EXCEPT WHERE SHOWN OTHERWISE. IT IS SUBJECT TO CHANGE AND WITHOUT WARRANTY OR ENDORSEMENT. ORGANIZATION SHOULD BE CONTACTED FOR THE LATEST VERSION.</small>		DMN: C. CHEN 07FEB2013 CHK: S. XI 07FEB2013 APVD: J. CRUZ 07FEB2013	TE Connectivity Harrisburg, PA 17105-3608
DIMENSIONS: mm 		TOLERANCES UNLESS OTHERWISE SPECIFIED: 0 PLC ± 1 PLC ± 2 PLC ± 3 PLC ± 4 PLC ± ANGLES ±	NAME: Ocean Side Feed Applicator SIZE: A1 CAGE CODE: 00779 DRAWING NO: 2151812 RESTRICTED TO:
MATERIAL:		WEIGHT:	SCALE: 1:2 SHEET: 4 OF 4 REV: F