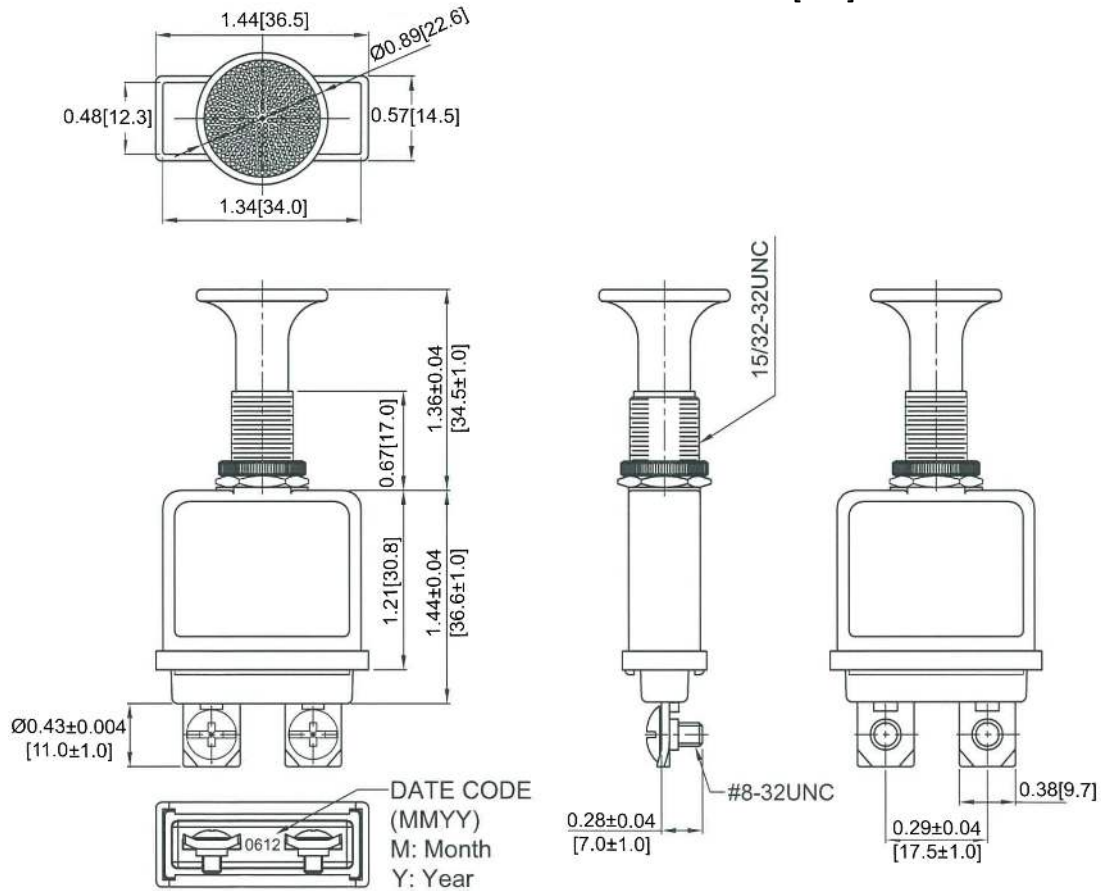


Mechanical Dimensions: Inches [mm]

Tolerances ± 0.012 [0.3] Unless Otherwise Specified

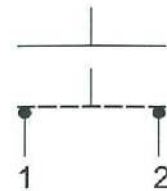


Mounting Hole



Circuit Diagram

2P PUSH-OFF/PULL-ON



Electrical Specifications

Rating	75A, 6-28V DC
Contact Resistance	50m ohm Max.
Insulation Resistance	DC 500V 100M ohm Min
Dielectric Strength	AC 500V 1 minute
Operation Temperature	-25°C ~ 85°C

Material Specifications

Frame	Nickel Plated, Zn Alloy
Actuator	Red Plated, Zn Alloy
Terminals	Copper Alloy. #8-32UNC

Push-Pull Switch

PP-1A-DC-7-R



Rev	Date of issue	Revision Notes	Designed	Approved
A	05-18-2021	Initial Drawing	RC	OF