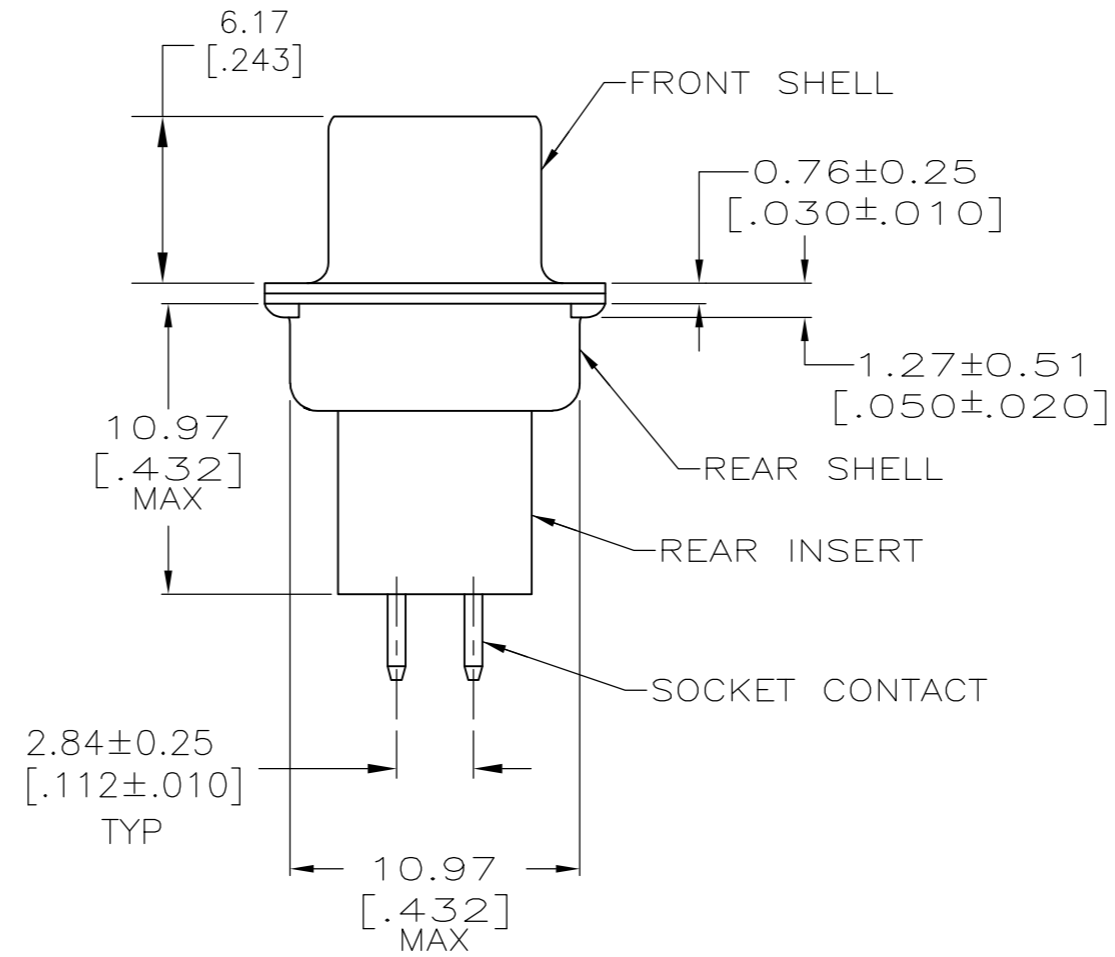
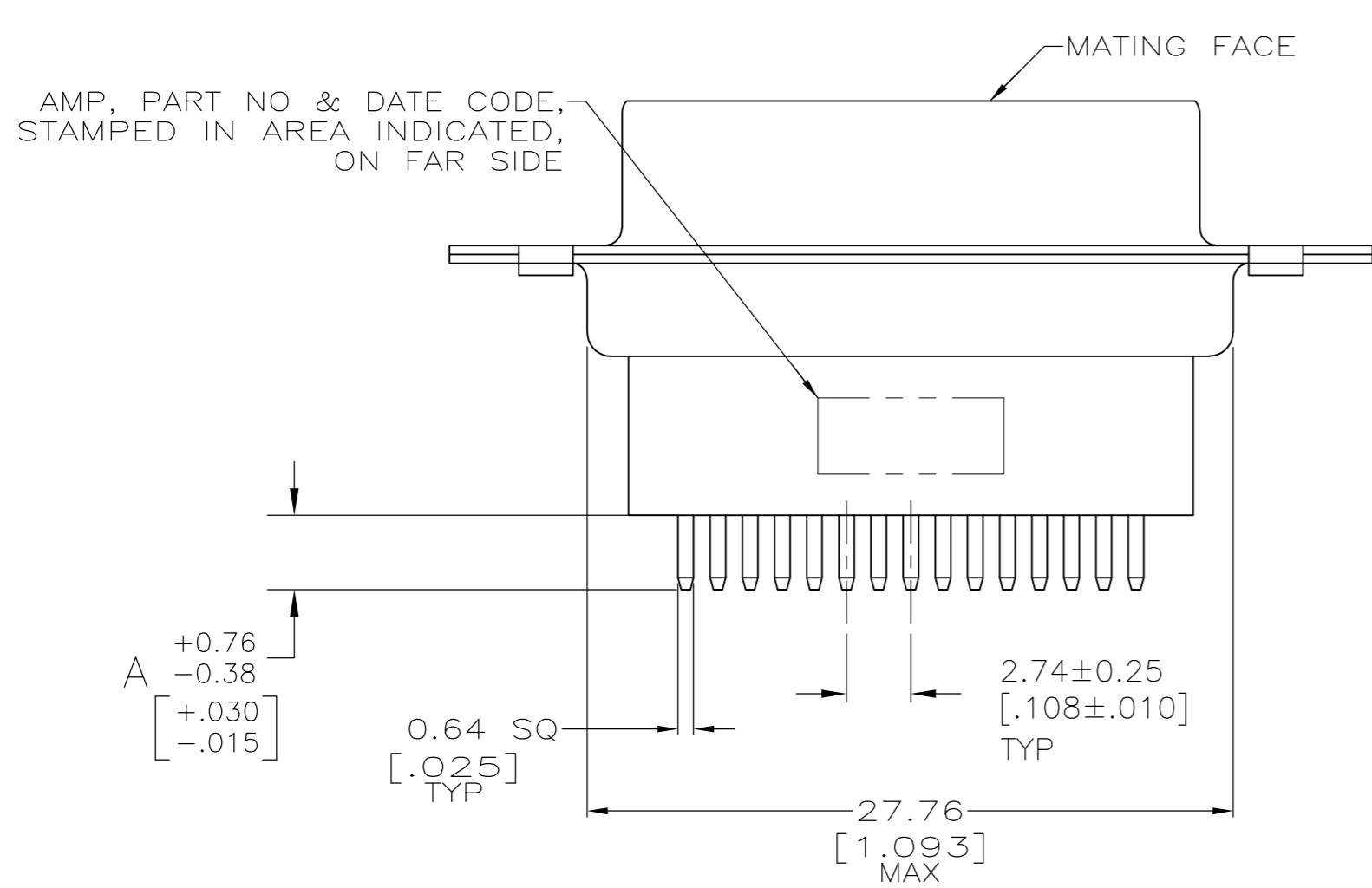
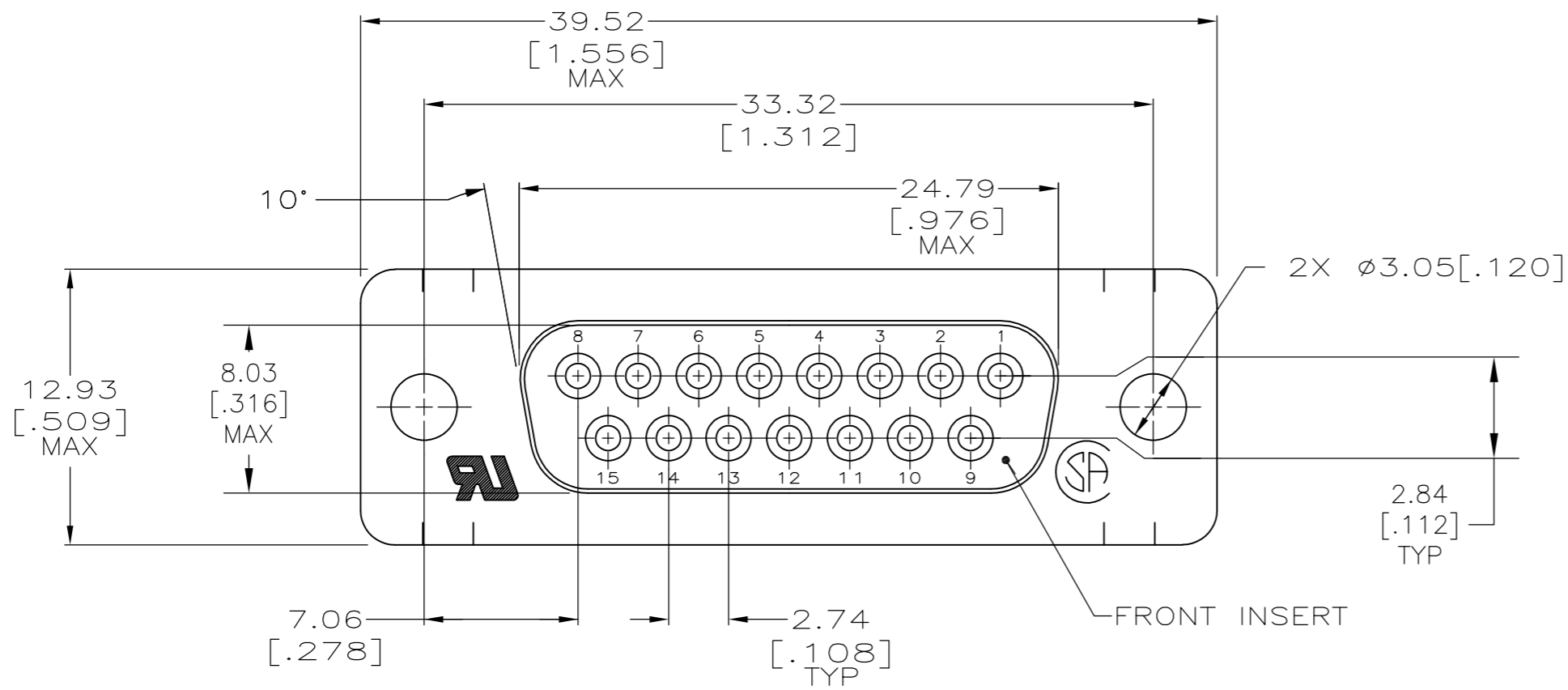


THIS DRAWING IS UNPUBLISHED. RELEASED FOR PUBLICATION
 © COPYRIGHT 2005 By - ALL RIGHTS RESERVED.

LOC	DIST	REVISIONS					
GP	00	P	LTR	DESCRIPTION	DATE	DWN	APVD
		Z		REVISED PER ECO-14-011808	09AUG2014	AP	SB



- 1 MOLDED PARTS: GLASS-FILLED PBT OR GLASS-FILLED NYLON, UL94V-0 RATED. COLOR: BLACK
SHELLS: CARBON STEEL
CONTACTS: PHOS BRONZE
- 2 SHELLS: 5.08µm [.000200] MIN ZINC WITH YELLOW CHROMATE COATING.
CONTACTS: GOLD FLASH ON MATING END, 2.54µm [.000100] MIN TIN-LEAD ON SOLDER END, BOTH OVER 1.27µm [.000050] MIN NICKEL.

- 7 SHELLS: 5.08µm [.000200] MIN ZINC WITH YELLOW CHROMATE COATING.
CONTACTS: 0.76µm [.000030] MIN GOLD IN MATED AREA, 2.54µm [.000100] MIN TIN-LEAD ON SOLDER END, BOTH OVER 1.27µm [.000050] MIN NICKEL. OR GOLD FLASH OVER PALLADIUM-NICKEL 0.76µm [.000030] MIN TOTAL ON MATING AREA, 2.54µm [.000100] MIN TIN-LEAD ON SOLDER END, BOTH OVER 1.27µm [.000050] MIN NICKEL.

- 3. NOTE DELETED.
- 4. NOTE DELETED.
- 5. NOTE DELETED.
- 6. NOTE DELETED.

OBSOLETE	-	-	205736-9
SUPSD BY 205736-7	△2	4.78 [.188]	205736-8
	△7	4.78 [.188]	205736-7
OBSOLETE	△2	16.54 [.651]	205736-6
SUPSD BY 745185-5	△7	16.54 [.651]	205736-5
	△2	10.85 [.427]	205736-4
SUPSD BY 745185-5	△7	10.85 [.427]	205736-3
SUPSD BY 205736-1	△2	3.18 [.125]	205736-2
OBSOLETE	△7	3.18 [.125]	205736-1
		GOLD FINISH	A
			PART NUMBER

THIS DRAWING IS A CONTROLLED DOCUMENT. DIMENSIONING AND TOLERANCING PER ASME Y14.5M-2009		DWN J. POLIGNONE 01FEB07		
DIMENSIONS: mm [INCHES]		CHK E. BRIANT 01FEB07		
TOLERANCES UNLESS OTHERWISE SPECIFIED:		APVD E. BRIANT 01FEB07	NAME	
0 PLC ± -		PRODUCT SPEC		RECEPTACLE ASSY, SIZE 2, 15 POSITION, FOR PCB AMPLIMITE HDP
1 PLC ± -		APPLICATION SPEC		
2 PLC ± 0.13 [.005]		108-40025		SIZE
3 PLC ± -		114-40013		CAGE CODE
4 PLC ± -		WEIGHT		DRAWING NO
ANGLES ± 2°		114-40013		RESTRICTED TO
FINISH		SCALE		SHEET
1		NTS		1 OF 1
2 3		CUSTOMER DRAWING		REV
		C=205736		Z