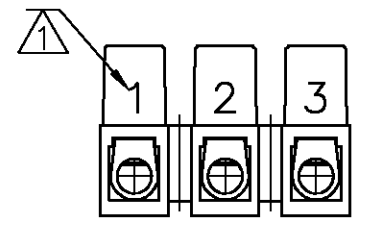
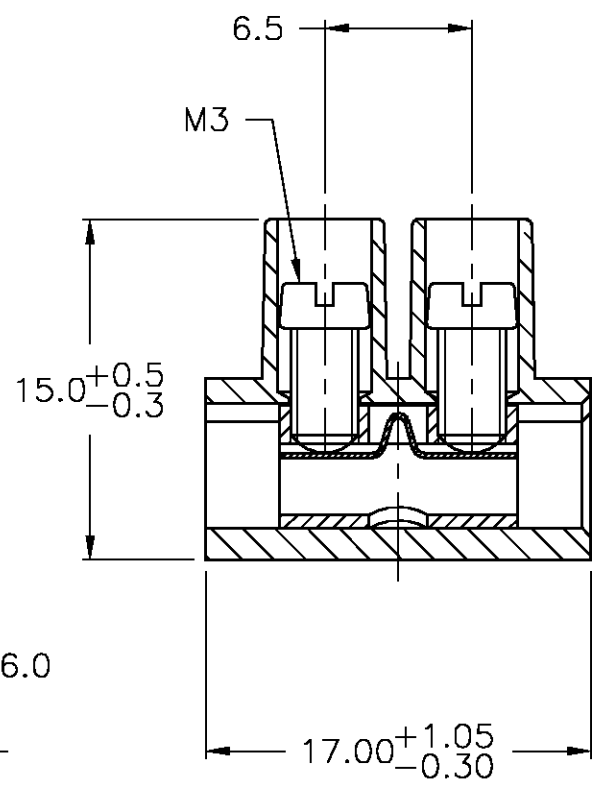
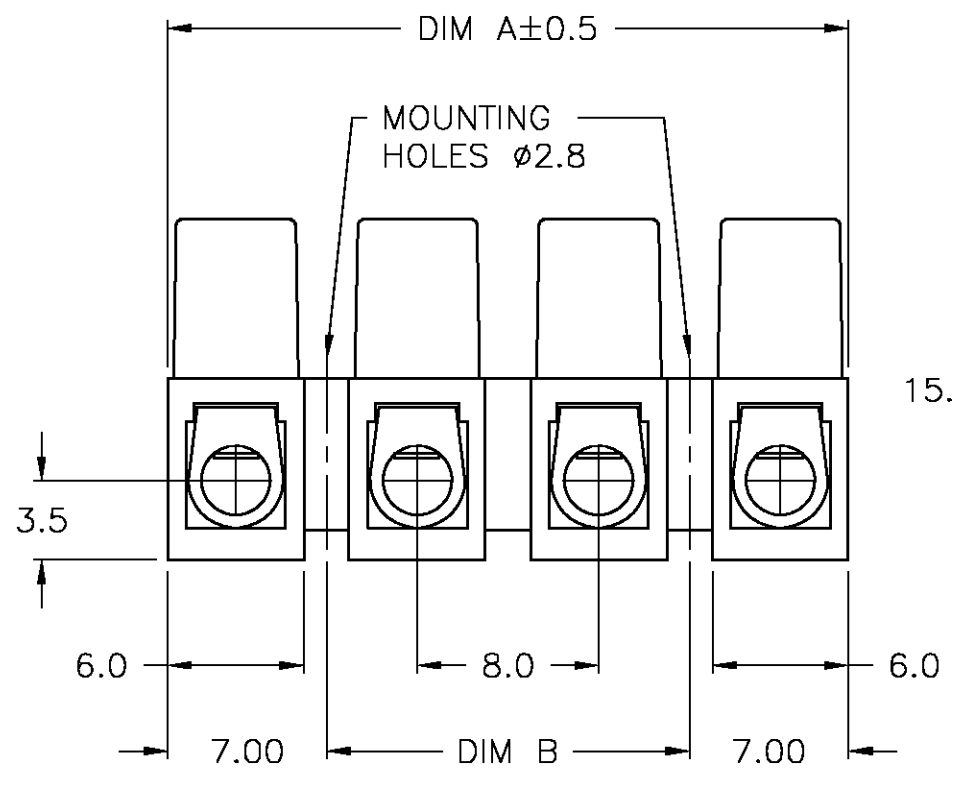


THIS DRAWING IS UNPUBLISHED. RELEASED FOR PUBLICATION
 © COPYRIGHT BY TYCO ELECTRONICS CORPORATION. ALL RIGHTS RESERVED.

LOC	DIST	REVISIONS					
FT	0	P	LTR	DESCRIPTION	DATE	DWN	APVD
			F	REVISED PER 0G3B-1164-04	12/16/04	SS	CR

NOTES:
MATERIAL:
 HOUSING: POLYIMIDE 6/6 UL94V-0
 COLOR: BROWN
 TUBULAR CONTACT: BRASS, TIN PLATED
 M3 SCREW: STEEL, ZINC PLATED
 WIRE PROTECTOR: STAINLESS STEEL

ELECTRICAL:
 CURRENT RATING: 30A, 250V
 WIRE RANGE: 12-26 AWG
 ⚠ MARKED WITH PERMANENT INK.



1-796921-2

8.0	22.0	-	1-796621-2
80.0	94.0	TSB23012DSHT	1437388-4
72.0	86.0	TSB23011DSHT	1-796921-1
64.0	78.0	TSB23010DSHT	1-796921-0
56.0	70.0	TSB23009DSHT	796921-9
48.0	62.0	TSB23008DSHT	796921-8
40.0	54.0	TSB23007DSHT	796921-7
32.0	46.0	TSB23006DSHT	796921-6
24.0	38.0	TSB23005DSHT	796921-5
16.0	30.0	TSB23004DSHT	796921-4
8.0	22.0	TSB23003DSHT	796921-3
-	14.0	TSB23002DSHT	796921-2
-	6.0	TSB23001DSHT	796921-1
DIM B	DIM A	CATALOG NUMBER	TYCO PART NUMBER

THIS DRAWING IS A CONTROLLED DOCUMENT.		DWN S. SCHLEGEL 22MAY02	Tyco Electronics Corporation Harrisburg, Pa 17105-3608	
DIMENSIONS: mm		CHK D. BIEVENOUR 5/23/02		
TOLERANCES UNLESS OTHERWISE SPECIFIED:		APVD D. BIEVENOUR 5/23/02	NAME EUROPA TERMINAL BLOCK W/WIRE PROTECTOR MOUNTING HOLES 2.8 DIA., 8.0mm PITCH HIGH TEMP	
0 PLC ± - 1 PLC ± .3 2 PLC ± .25 3 PLC ± - 4 PLC ± - ANGLES ± 2		PRODUCT SPEC -	SIZE A3	
MATERIAL -		FINISH -	CAGE CODE 00779	DRAWING NO C-796921
		WEIGHT -	RESTRICTED TO -	
		CUSTOMER DRAWING		SCALE NTS
		SHEET 1 OF 1		REV F