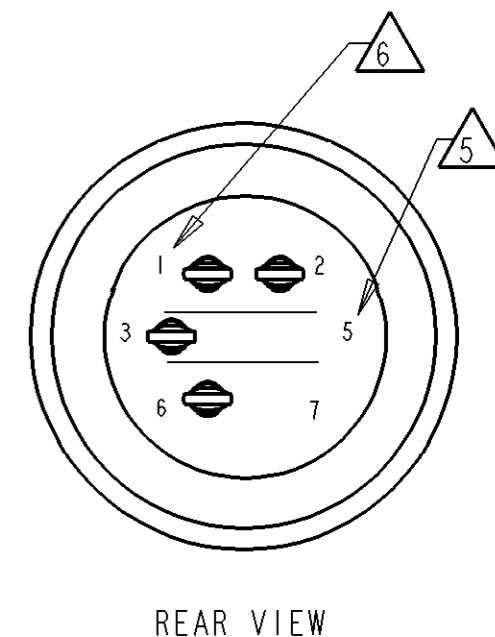
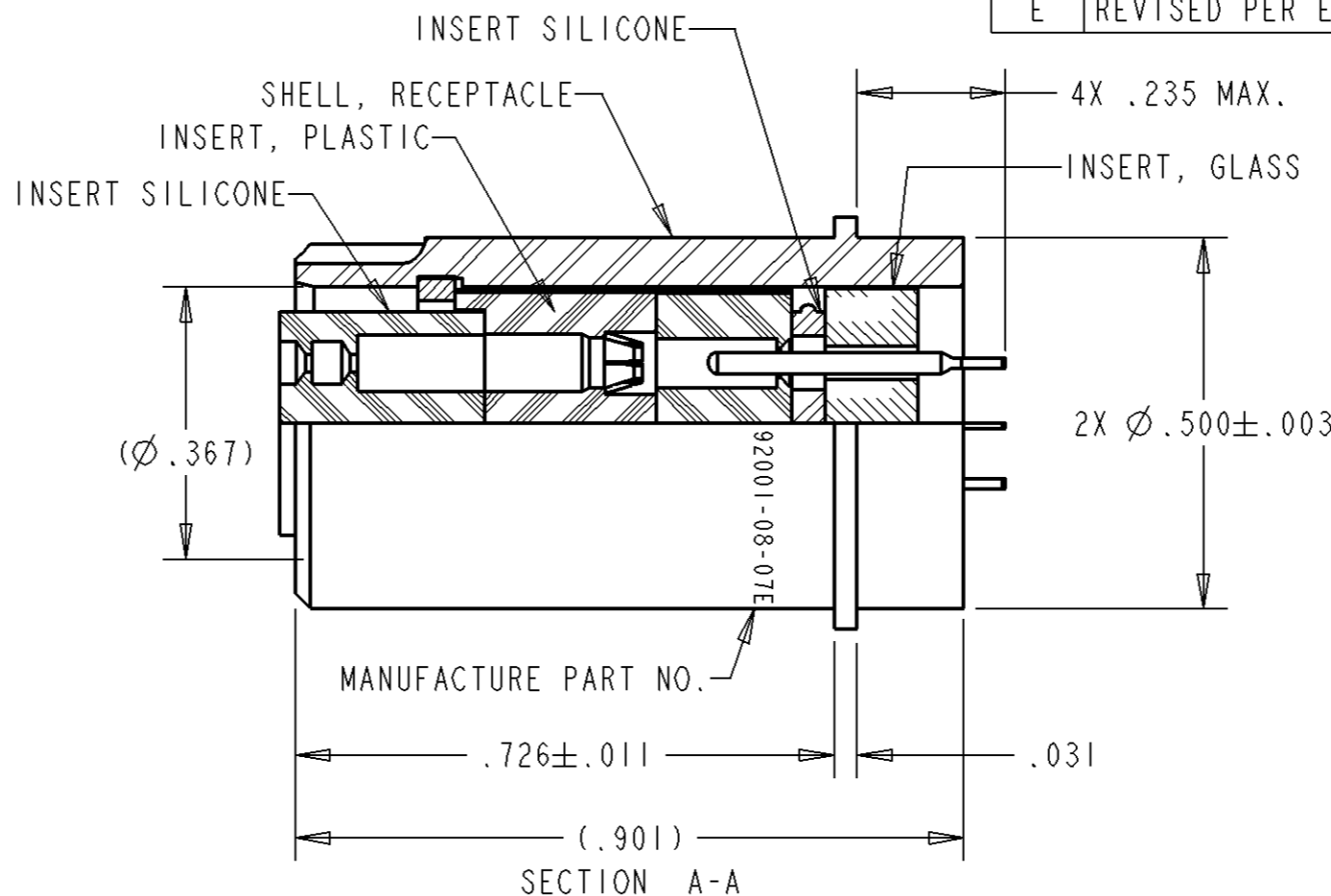
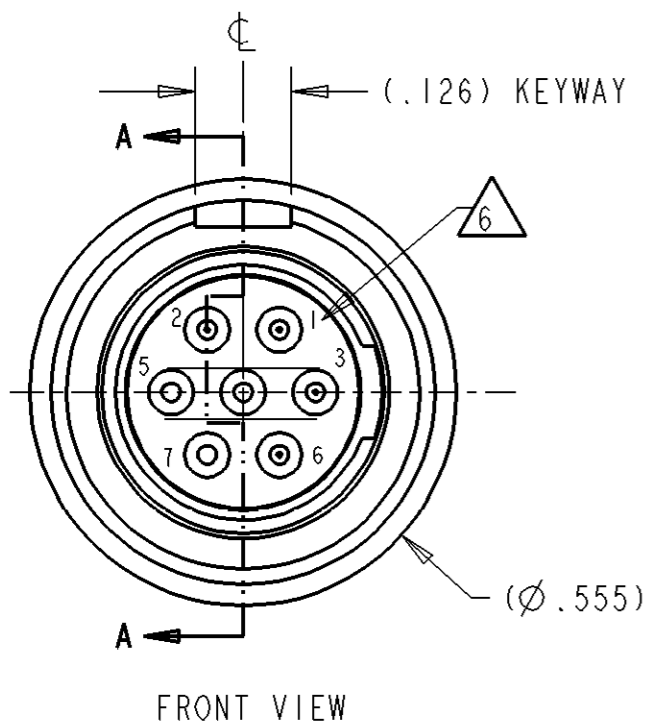


REV	DESCRIPTIONS	DATE	APPROVED
C	REVISED PER E.O.H4416	3/11/08	M.A.
D	REVISED PER E.O.H4432	4/25/08	M.A.
E	REVISED PER E.O.H4466	11/24/08	M.A.



- MATERIAL: SHELL - 304L SST  
PIN CONTACTS - HIGH NICKEL IRON ALLOY  
INSERT - HIGH COMPRESSION GLASS  
- HIGH GRADE PLASTIC  
- ELASTOMER SILICONE
- FINISH: SHELL - ELECTRO-POLISH  
PIN CONTACTS - GOLD OVER NICKEL PLATING
- LEAK RATE: < 1E-8 cc/sec He @ 1 atm.
- INSULATION RESISTANCE: > 1000 MEGOHM @ 500 VDC  
DIELECTRIC WITHSTANDING VOLTAGE: NO BREAK DOWN AT 750 VAC.


- PINS 4, 5, & 7 ARE NOT TO BE INSTALLED.
  - CAVITY IDENTIFICATION LOCATION SHOWN FOR REFERENCE ONLY. EXACT POSITION MAY VARY.
  - DIMENSIONS ARE IN INCHES UNLESS OTHERWISE NOTED.
  - STANDARD POSITION INDICATOR IS NOT PAINTED REF.
  - THE FOLLOWING ITEMS ARE NOT SUPPLIED: SOCKET CONTACTS, INSERTION/REMOVAL TOOL AND CRIMP TOOL.
  - INSERT ARRANGEMENT MUST ALIGN WITHIN ±5° OF KEYWAY  $\phi$ .
- NOTE(S):

CONTACT SIZE	SOCKET CONTACT	INSERTION/REMOVAL TOOL	CRIMP TOOL	CRIMP TOOL POSITIONER	WIRE GAUGE
22	CTS-S22/22 M39029/22-22-22	M81969/14-01	M22520/7-01	M22520/7-11	22 THRU 26

FILE: 92001-08-07E-ENV

	SIGNATURE & DATE
DR	L.STOLLE 12-2-98
CHK	S.LUI 12-2-98
PE	J.AGUILERA 12-2-98
APPD	J.AGUILERA 12-2-98
SCALE:	

SHELL, RECEPTACLE  
WELD MOUNT  
HERMETIC  
SHELL SIZE 8  
SIZE 22 EYELET CONTACTS  
SERIES, CTH22 TYPE  
ENVELOPE

CP	MATL CODE 76
<b>DEUTSCH</b> ENGINEERED INTERCONNECT SOLUTIONS  250 Eddie Jones Way Oceanside, CA 92058	
<b>B</b>	92001-08-07E
DWG SIZE	CAGE CODE 11139
	SHEET 1 OF 1