



### SPECIFICATIONS

Model	Stroke mm	Max Energy Absorption J(kgf·m)	Max Equiv. Mass kg(kgf)	Range of Impact Rate m/s	Orifice Type
FWM-S2016EBD-C	16	29.4(3.0)	200(200)	0.3~2	Multiple-varying orifice type

### COMMON SPECIFICATIONS

Max Drag N(kgf)	Max Cycle Rate cycle/min	Max Energy Absorption per min. J/min(kgf·m/min)	Extension Force N(kgf)	Operating Temp. C°	Mass g
3,528(360)	60	343(35)	18.1(1.84) or lower	-5~70	202

### PRECAUTIONS FOR USE

- Do not use this product in places where it may come in contact with oil as it does not have a liquid-proof structure.
- Please contact our sales department when the use of optional parts is planned.
- Although the dimensions are identical to those of the FA series standard products (adjustable), the FWM-S2016 series has a longer overall length.

### ADJUSTMENT METHOD

- Please peruse the operation manual carefully before use.
- Do not operate without sufficient mounting strength.
- Do not operate without an external stopper.
- Note that Products specification might be changed without notice.

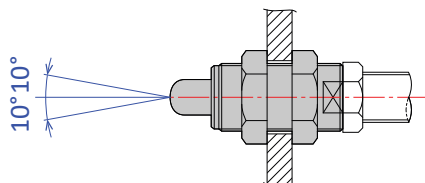
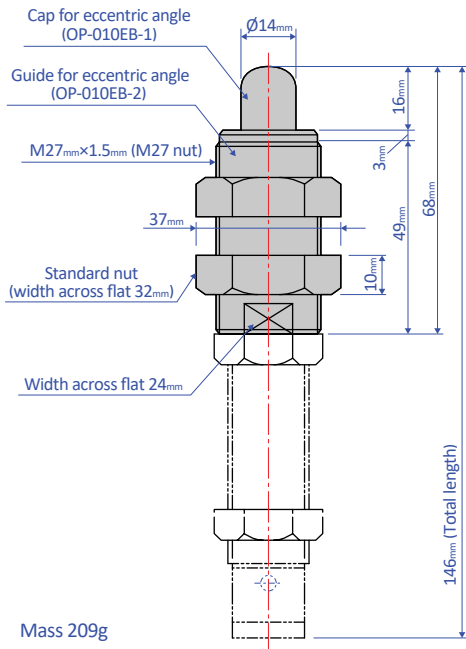
### ABSORPTION CHARACTERISTICS

Orifice type	Multiple-orifice type	<b>Absorption characteristics</b> 
Model number	FWM-S2016EBD Series	
Application	For medium speed, in particular with a pneumatic cylinder	

## OPTIONAL PARTS

### Eccentric angle adaptor OP-010EB

- Screw the eccentric angle adaptor into the main unit until the cap for the eccentric angle and the piston rod form a tight connection. While maintaining this position, fasten the main unit's nut until it is secured.
- Use the eccentric angle adaptor when the eccentric angle is  $2.5^\circ$  or larger.
- The main unit can also be used as a stopper.
- Use it with a capless soft absorber.
- The maximum operating eccentric angle with an eccentric angle adaptor is  $\pm 10^\circ$ .
- The caps and the guides for inclined use are not unbundled.

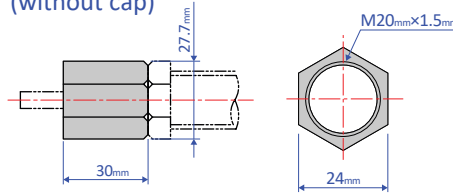


Note: Material of cap for eccentric angle: Metal

### Stopper nut OP-020EB

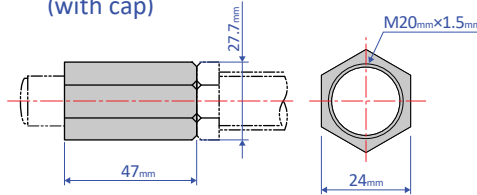
- Adjust so that it stops 1 mm before the stroke end, and fasten with the main unit's nut until secured.

#### OP-020EB-S (without cap)



Mass 46g

#### OP-020EB-C (with cap)



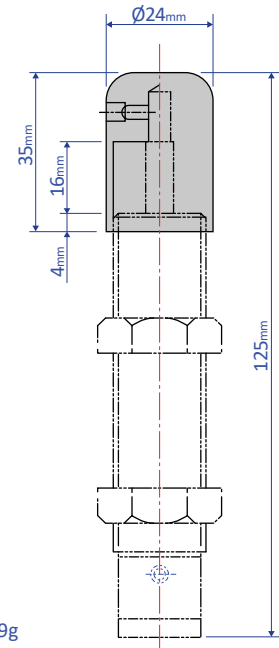
Mass 68g

Note: When attaching, make sure that the side without a bearing chamfer is the impact surface.

Standard nuts are sold separately as well - M20 Nut

### Liquid-proof cap FWM-2016EBD-C-060

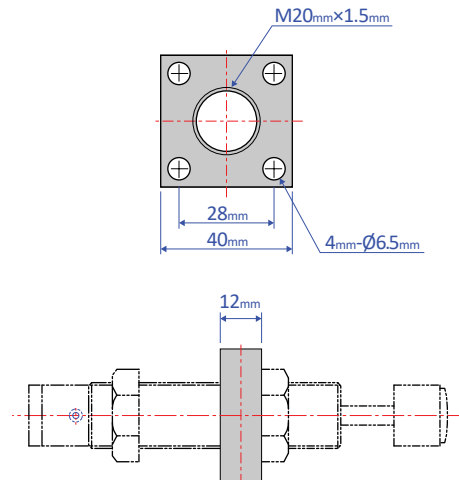
- A drip proof cap is fitted on the unit on delivery.
- Liquid-proof caps are not sold separately.
- Ensure that the cap is facing upward. If the cap is facing sideways or downward, it cannot provide an effective means for liquid proofing.



Mass 59g

### Square flange OP-040EB

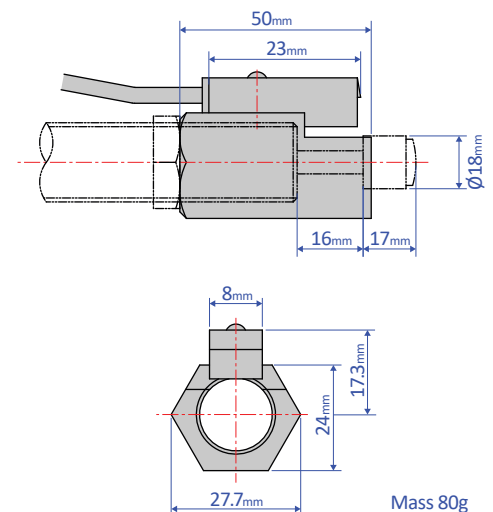
- Once the attachment site is determined, use the main unit's nut to securely fasten in place.



Mass 109g

### Holder with a switch OP-030EB-2

- Although a holder with a switch can be ordered on its own, we strongly recommend ordering one with the main unit. Please include the main unit's model number when placing an order.



Mass 80g