



AMP

TE Internal #: 1218687-3

Rack & Panel Contacts, Pin, Size 8 Contact Size, Coax, Gold, Wire & Cable

[View on TE.com >](#)

Connectors > PCB Connectors > Backplane Connectors > Rack & Panel Backplane > Rack & Panel Contacts



Contact Type: **Pin**

Contact Size: **Size 8**

Rack & Panel Connector Contact Style: **Coax**

Contact Mating Area Plating Material: **Gold**

Connector & Contact Terminates To: **Wire & Cable**

Features

Product Type Features

Compatible With RF Cable Type	RG 188, RG 316
Connector & Contact Terminates To	Wire & Cable

Body Features

Contact Shell Base Material	Brass
Contact Removal Style	Rear Release/Rear Remove
Shell Plating Material	Gold

Contact Features

	50 µin
Contact Orientation	Straight
Ferrule Plating Material	Gold
Ferrule Material	Brass
Contact Base Material	Brass
Contact Type	Pin
Contact Size	Size 8
Rack & Panel Connector Contact Style	Coax
Contact Mating Area Plating Material	Gold

Termination Features

Termination Method to Wire & Cable	Crimp
------------------------------------	-------

Mechanical Attachment



Contact Retention Type Within Housing	Press-Fit
---------------------------------------	-----------

Identification Marking

Contact Color Code	None
--------------------	------

Packaging Features

Packaging Method	Package
------------------	---------

Other

Connector Contacts Comment	Long engagement
----------------------------	-----------------

Dielectric Material	PTFE
---------------------	------

Product Compliance

[For compliance documentation, visit the product page on TE.com>](#)

EU RoHS Directive 2011/65/EU	Compliant with Exemptions
------------------------------	---------------------------

EU ELV Directive 2000/53/EC	Compliant with Exemptions
-----------------------------	---------------------------

China RoHS 2 Directive MIIT Order No 32, 2016	Restricted Materials Above Threshold
---	--------------------------------------

EU REACH Regulation (EC) No. 1907/2006	<p>Current ECHA Candidate List: JUNE 2023 (235)</p> <p>Candidate List Declared Against: JAN 2023 (233)</p> <p>SVHC > Threshold:</p> <p>Pb (2.5% in Component Part)</p> <p>Article Safe Usage Statements: Do not eat, drink or smoke when using this product. Wash thoroughly after handling. Recycle if possible and dispose of the article by following all applicable governmental regulations relevant to your geographic location.</p>
--	--

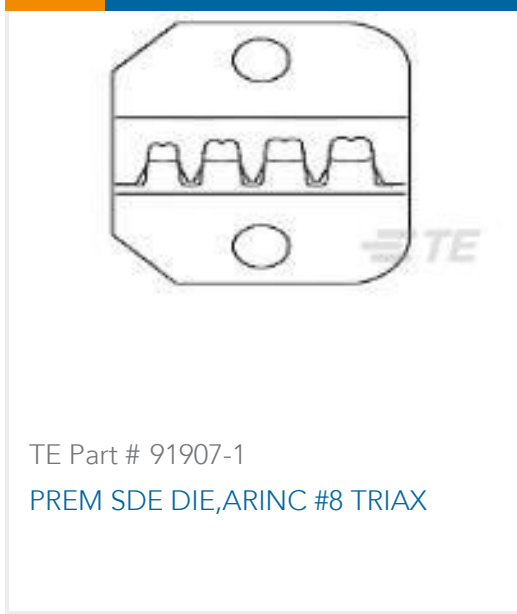
Halogen Content	Low Halogen - Br, Cl, F, I < 900 ppm per homogenous material. Also BFR/CFR/PVC Free
-----------------	---

Solder Process Capability	Not applicable for solder process capability
---------------------------	--

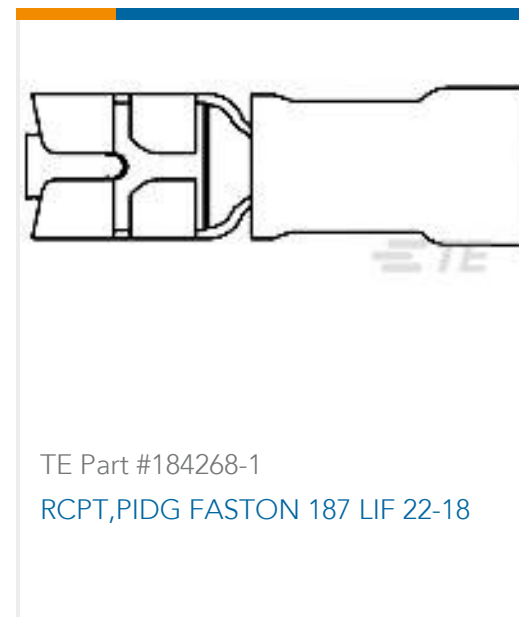
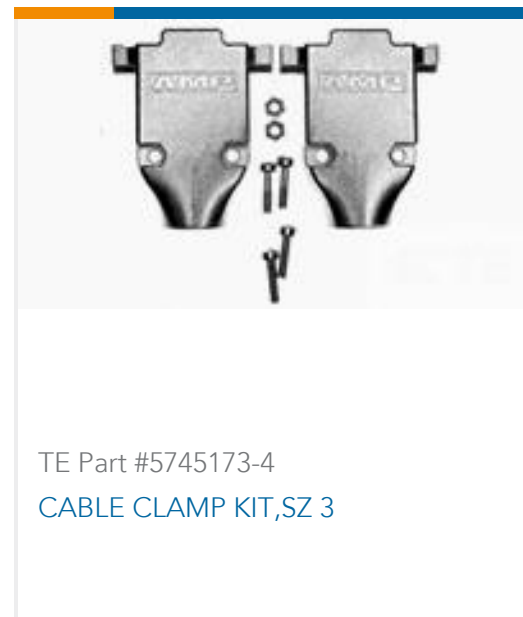
Product Compliance Disclaimer

This information is provided based on reasonable inquiry of our suppliers and represents our current actual knowledge based on the information they provided. This information is subject to change. The part numbers that TE has identified as EU RoHS compliant have a maximum concentration of 0.1% by weight in homogenous materials for lead, hexavalent chromium, mercury, PBB, PBDE, DBP, BBP, DEHP, DIBP, and 0.01% for cadmium, or qualify for an exemption to these limits as defined in the Annexes of Directive 2011/65/EU (RoHS2). Finished electrical and electronic equipment products will be CE marked as required by Directive 2011/65/EU. Components may not be CE marked. Additionally, the part numbers that TE has identified as EU ELV compliant have a maximum concentration of 0.1% by weight in homogenous materials for lead, hexavalent chromium, and mercury, and 0.01% for cadmium, or qualify for an exemption to these limits as defined in the Annexes of Directive 2000/53/EC (ELV). Regarding the REACH Regulation, the information TE provides on SVHC in articles for this part number is based on the latest European Chemicals Agency (ECHA) 'Guidance on requirements for substances in articles' posted at this URL: <https://echa.europa.eu/guidance-documents/guidance-on-reach>

Compatible Parts



Customers Also Bought



Documents

Product Drawings

[SZ 8 COAX PIN, A600, RG316, RR/RR](#)

English

CAD Files

[3D PDF](#)

[3D](#)



Customer View Model

[ENG_CVM_CVM_1218687-3_D.2d_dxf.zip](#)

English

Customer View Model

[ENG_CVM_CVM_1218687-3_D.3d_igs.zip](#)

English

Customer View Model

[ENG_CVM_CVM_1218687-3_D.3d_stp.zip](#)

English

By downloading the CAD file I accept and agree to the [Terms and Conditions](#) of use.

Datasheets & Catalog Pages

[ARINC 600 Next Generation Receptacle Connector](#)

English