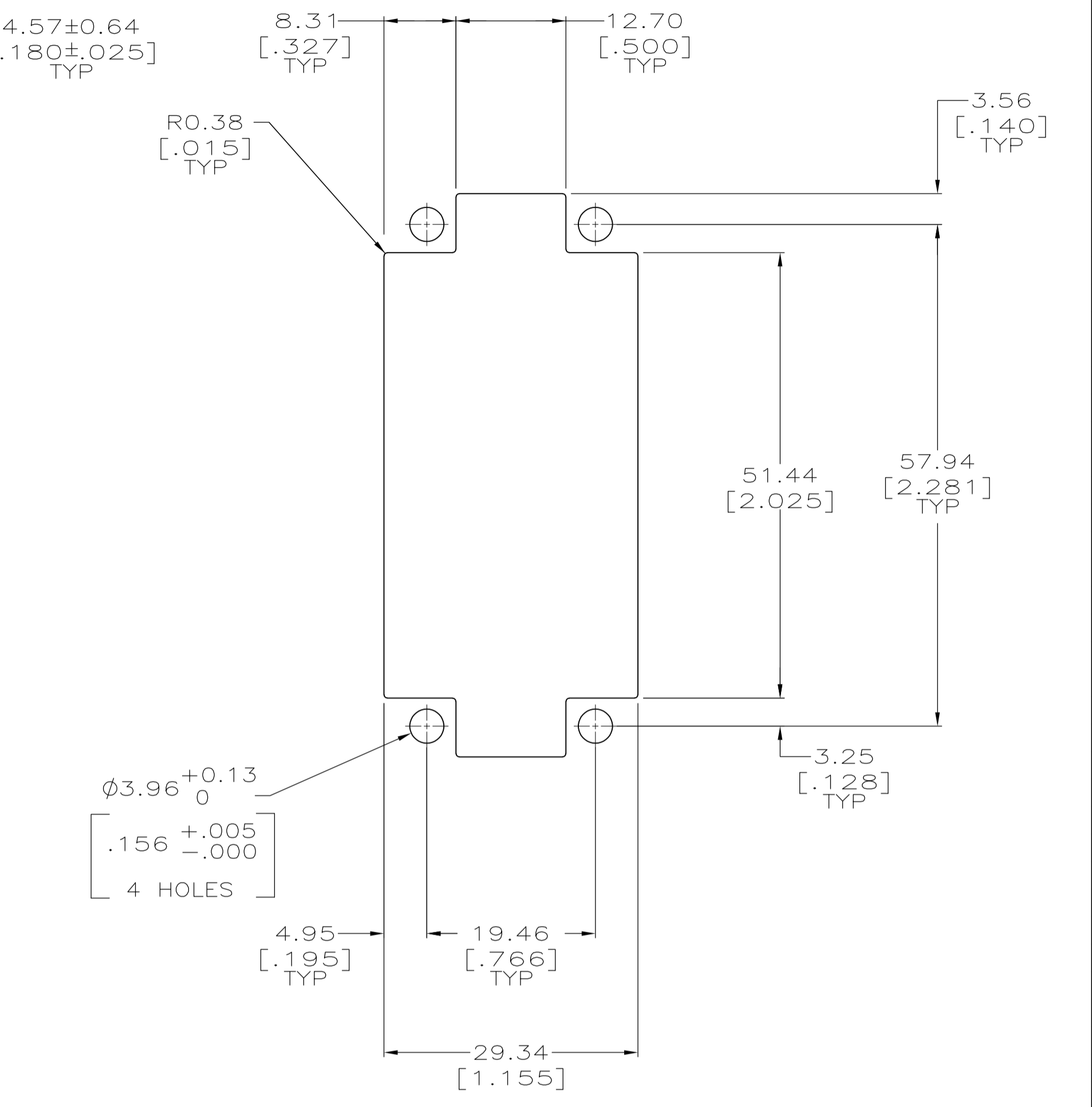
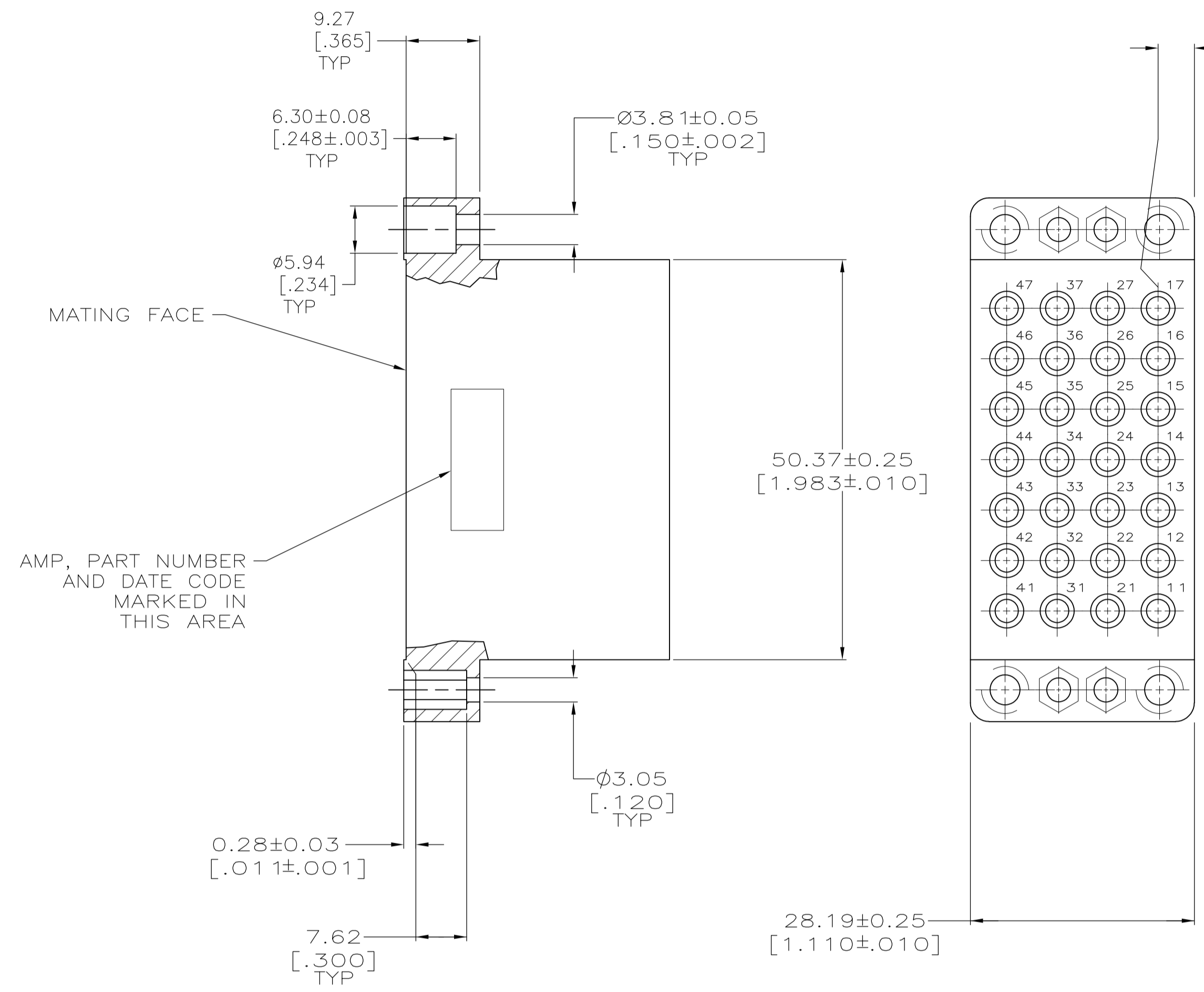
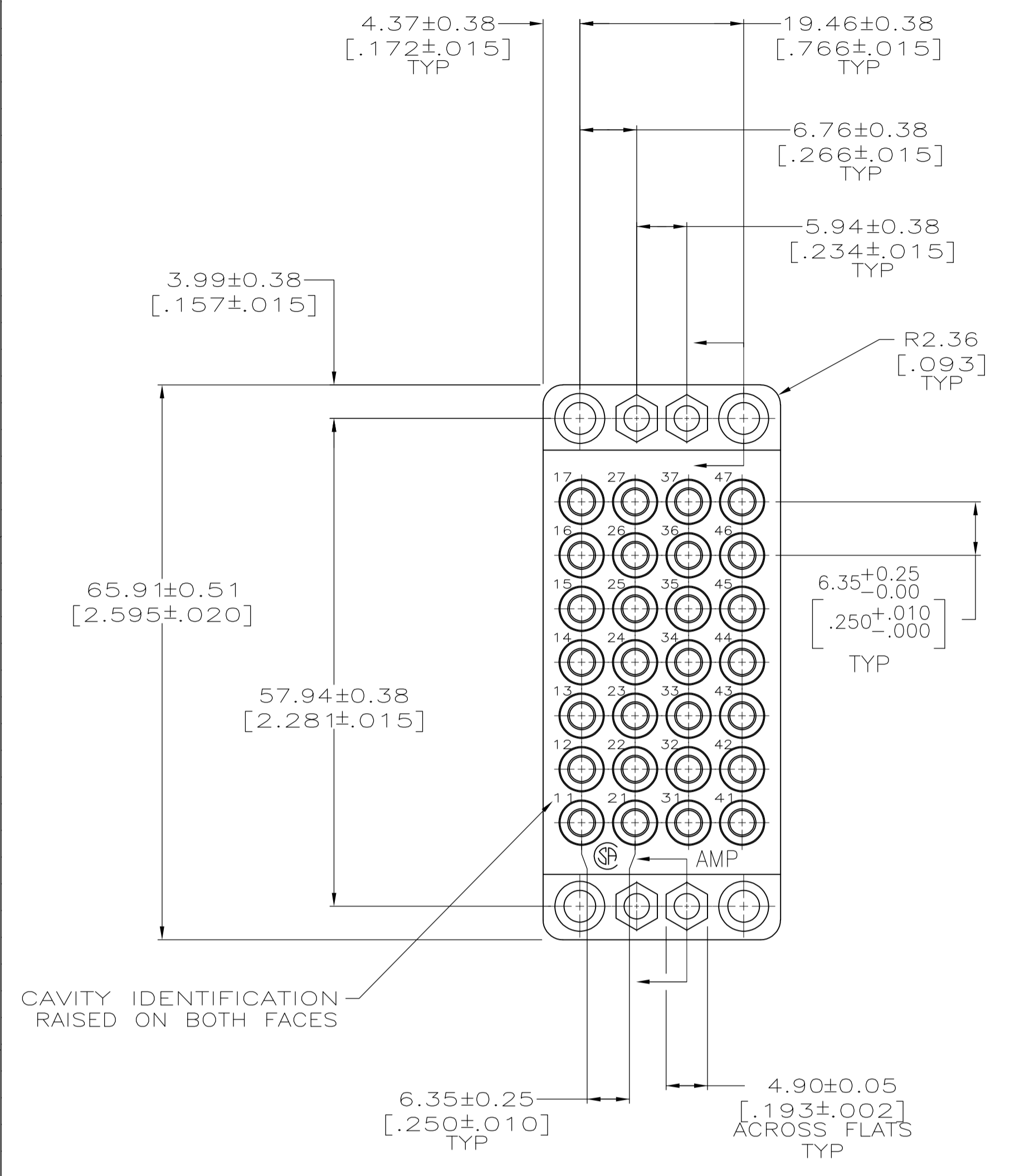


LOC		DIST		REVISIONS			
P	LTR	DESCRIPTION	DATE	DWN	APVD		
F		REVISED PER ECO-07-029096	12/13/07	SS	GS		



RECOMMENDED
PANEL CUTOUT

△ PHENOLIC, BLACK PER MIL-M-14, TYPE CFG.

205689-2
PART NUMBER

THIS DRAWING IS A CONTROLLED DOCUMENT.		DIN C. OBERMAN 23 MAY 97	Tyco Electronics Corporation Harrisburg, PA 17105-3608	
DIMENSIONS: mm [INCHES]		CHK R. STONE 29 MAY 97	NAME BLOCK, PIN, 28 POSITION, SPECIAL, M SERIES	
TOLERANCES UNLESS OTHERWISE SPECIFIED:		APVD G. STEINHÄUER 02 SEP 97	RESTRICTED TO	
0. PLC ± -	1. PLC ± -	PRODUCT SPEC	SIZE A1	CAGE CODE 00779
2. PLC ± 0.13 [.005]	3. PLC ± -	APPLICATION SPEC	DRAWING NO. 205689	REV F
4. PLC ± -	ANGLES ± -	WEIGHT	SCALE 2:1	SHEET 1 of 1
MATERIAL 1	FINISH -	CUSTOMER DRAWING		