



\* TABLE 1 : PARTS-LIST

NO.	DESCRIPTION	ENGINEERING NO.	MATERIALS	FINISHES
1	mSD-CONTACT TERMINAL	49932-8031	PHOS.-BRONZE	Selective-Au over Ni
2	S-CONTACT TERMINAL	49814-8031	COPPER-ALLOY (C)	Selective-Au over Ni
3	mSD-METAL SHELL	49933-5003	STAINLESS STEEL	Ni OVERALL
4	S-METAL SHELL	49934-5003	STAINLESS STEEL	Ni OVERALL
5	HOUSING	49448-1691	LIQUID CRYSTAL POLYMER	UL94V-0
6	HEART CAM	49363-0001	LIQUID CRYSTAL POLYMER	UL94V-0
7	SWITCH TERMINAL 1	49820-8031	PHOS.-BRONZE	Selective-Au over Ni
8	SWITCH TERMINAL 2	49821-8031	PHOS.-BRONZE	Selective-Au over Ni
9	FITTING NAIL	49819-8003	PHOS.-BRONZE	PURE-Sn over Ni
10	PIN ROD	49225-9002	STAINLESS STEEL	
11	SPRING	49362-9001	STAINLESS STEEL	

\* TABLE 2 : REFERENCE

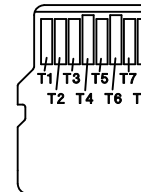
[ SIM CARD-8P PIN-MAP ]

PIN NUMBER	DESCRIPTION
S1	Vcc(Voltage)
S2	Vcc(Reset)
S3	CLK
S4	Reserved
S5	GND
S6	Vpp
S7	I/O
S8	Reserved

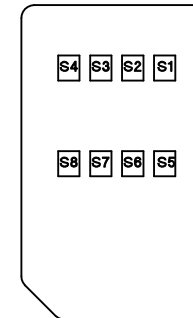
[ microSD CARD PIN-MAP ]

PIN NUMBER	DESCRIPTION
T1	DAT2
T2	CD/DAT3 <sup>2</sup>
T3	CMD
T4	V <sub>DD</sub>
T5	CLK
T6	V <sub>SS</sub> <sup>2</sup>
T7	DAT0
T8	DAT1

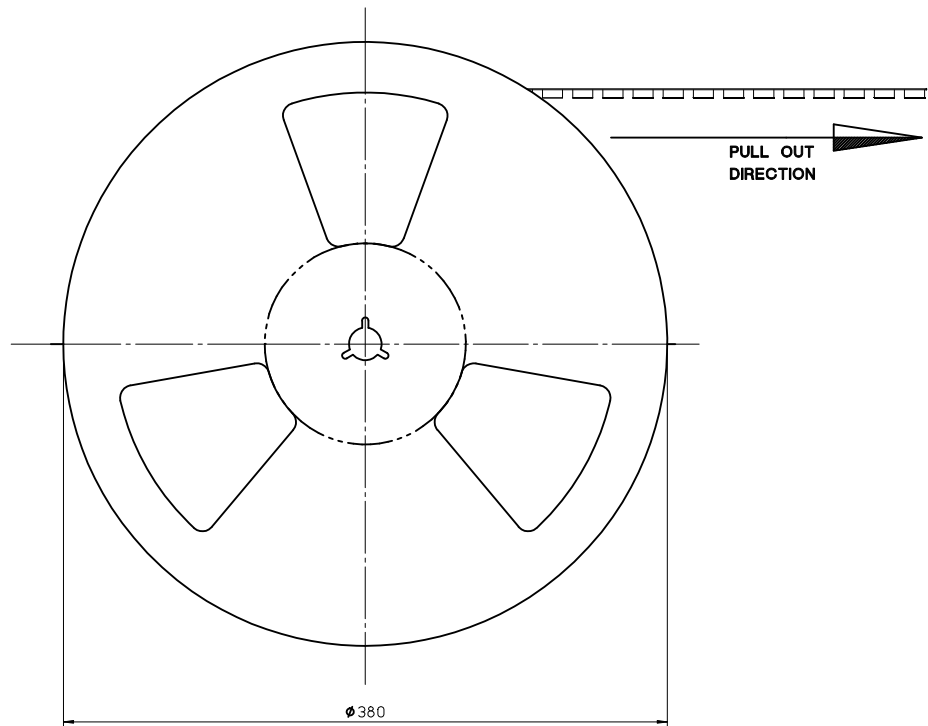
microSD CARD



SIM CARD-8P

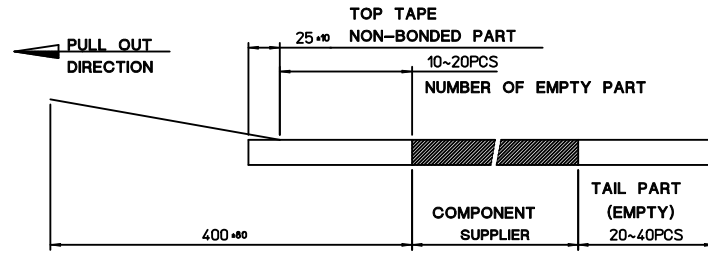


REVISED IEC NO: KOR2012-0006 DRWN: HYU CHKD: APPR: YUNS IKK IM 2011/07/14 2011/07/14 REV DESCRIPTION	QUALITY SYMBOLS	GENERAL TOLERANCES (UNLESS SPECIFIED)	DIMENSION STYLE	SCALE	DESIGN UNITS	THIRD ANGLE PROJECTION	
	▽=0 ◻=0	mm INCH 4 PLACES ± --- ± --- 3 PLACES ± --- ± --- 2 PLACES ± 0.1 ± --- 1 PLACE ± 0.15 ± --- ANGULAR ± 1 °	MM ONLY	5:1	METRIC		
		DRAFT WHERE APPLICABLE MUST REMAIN WITHIN DIMENSIONS	DRAWN BY DATE S. H. CHU 2008/10/20 CHECKED BY DATE S. J. SEH 2008/10/20 APPROVED BY DATE E. H. JUNG 2008/10/20 MATERIAL NO.	TITLE			
			SEE TABLE	M-SD/SIM COMBO SOCKET FOR 8P/8P (BERYLLIUM FREE) MOLEX INCORPORATED DOCUMENT NO. SD-49448-001		SHEET NO. 2 OF 3	

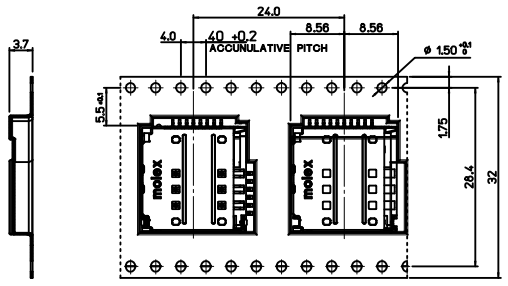
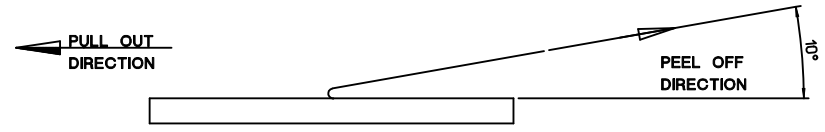


**NOTES**

- 1. QUANTITY OF CONNECTORS : 1,000PCS/REEL
- 2. LEAD LENGTH



- 3. PEELING OFF FORCE OF COVER TAPE : 0.1N~0.59N(10.2GF~60GF)  
(PEELING DIRECTION AS SHOW IN FOLLOW FIG.)
- PEELING OFF SPEED : 300mm/Min.(Ref.)



35902-0011	35908-1003	49362-9901	49448-1611	494481611	49448-1611	8P/8P
COVER TAPE	REEL	EMBOSSED TAPE	CONNECTOR	MATERIAL NO.	ENG. NO.	CKTS

REVISED EC NO: KOR2012-0006 DRWN: IHYOU 2011/07/14 CHKD: APPR: YUNS IKKIM 2011/07/14	REV DESCRIPTION	QUALITY SYMBOLS	GENERAL TOLERANCES (UNLESS SPECIFIED)	DIMENSION STYLE	SCALE	DESIGN UNITS	THIRD ANGLE PROJECTION
		▼=0 ▽=0	mm    INCH 4 PLACES ± --- ± --- 3 PLACES ± --- ± --- 2 PLACES ± 0.1 ± --- 1 PLACE ± 0.15 ± --- ANGULAR ± 1 °	MM ONLY	5:1	METRIC	
		DRAFT WHERE APPLICABLE MUST REMAIN WITHIN DIMENSIONS	DRAWN BY: S.H.CHU    DATE: 2008/10/20 CHECKED BY:            DATE: APPROVED BY: S.J.SEH    DATE: 2008/10/20 E.H.JUNG    2008/10/20 MATERIAL NO.            DOCUMENT NO.	TITLE	M-SD/SIM COMBO SOCKET FOR 8P/8P (BERYLLIUM FREE)		
		SEE TABLE	MOLEX INCORPORATED SD-49448-001			SHEET NO.	3 OF 3