

MATERIALS AND FINISHES

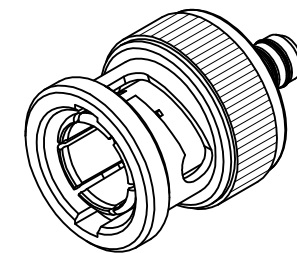
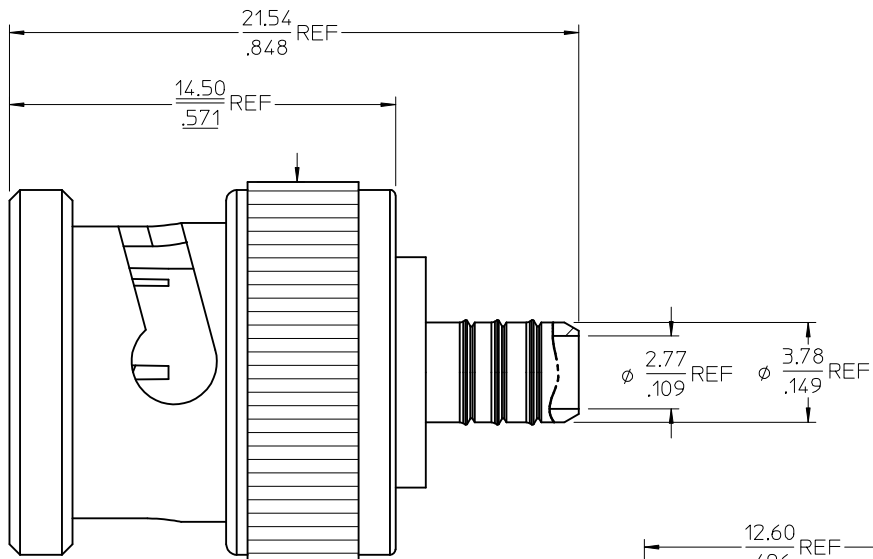
BODY BRASS  
PLATED NICKEL (70 MICROINCHES MIN)

CENTER CONTACT BRASS  
PLATED GOLD (30 MICROINCHES MIN)

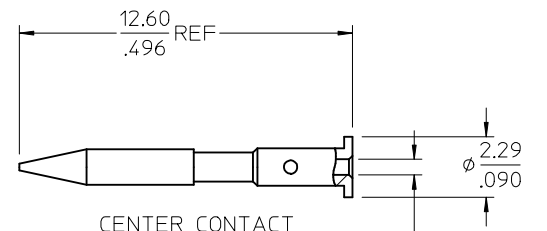
INSULATOR TEFLON

COUPLING NUT: ZINC  
PLATED: NICKEL (70 MICROINCHES MIN)

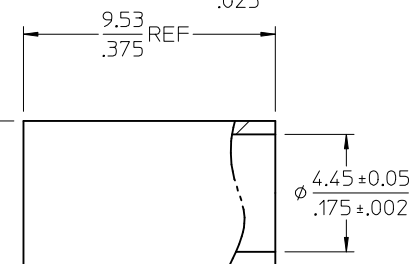
CRIMP TUBE: BRASS  
PLATED: NICKEL (100 MICROINCHES MIN)



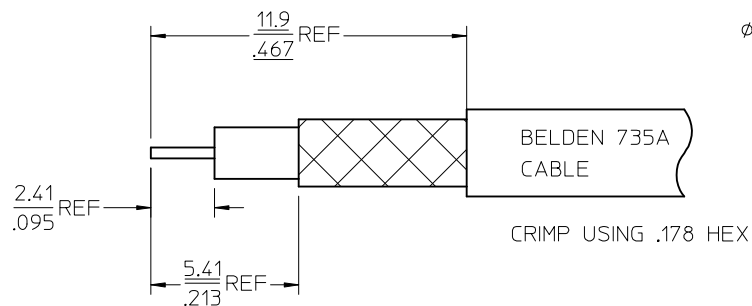
BNC ASSEMBLY



CENTER CONTACT



CRIMP TUBE



CRIMP USING .178 HEX

PART # 73171-1190

SAME AS 73171-1310  
WITHOUT SLEEVE

AS-89678-7900	CABLE ASSEMBLY INSTR.
MIL-STD-348A, FIG. 301.1	INTERFACE
SPECIFICATION	DESCRIPTION

<b>CHG: UPDATED BORDER</b> EC NO: URF2007-0195 DRWN: TELAHERY 2006/11/06 CHKD: SSHAH 2006/11/06 APPR: IWENER 2006/11/06	QUALITY SYMBOLS ▽=0 ▽=0	GENERAL TOLERANCES (UNLESS SPECIFIED)	DIMENSION STYLE MM/IN	SCALE DESIGN UNITS METRIC	THIRD ANGLE PROJECTION
		4 PLACES ± --- ± --- 3 PLACES ± --- ± --- 2 PLACES ± --- ± --- 1 PLACE ± --- ± --- ANGULAR ± 2 °	DRAWN BY DATE TEF 2001/06/29 CHECKED BY DATE SSS 2001/06/29 APPROVED BY DATE GMH 2001/06/29	TITLE BNC PLUG, STRIAIGHT, 75 OHM FOR 735A CABLE BNC-PC	MOLEX INCORPORATED
DRAFT WHERE APPLICABLE MUST REMAIN WITHIN DIMENSIONS		MATERIAL NO. 731711190	DOCUMENT NO. SD-73171-119	THIS DRAWING CONTAINS INFORMATION THAT IS PROPRIETARY TO MOLEX INCORPORATED AND SHOULD NOT BE USED WITHOUT WRITTEN PERMISSION	