


SACC-EC-M12MS-8CON-PG9/0,5

Order No.: 1513787

<http://eshop.phoenixcontact.de/phoenix/treeViewClick.do?UID=1513787>

Sensor/Actuator flush-type plug, 8-pos., M12, A-coded, front/screw mounting with PG9 thread, can be positioned, with 0.5 m TPE litz wire, 8 x 0.25 mm²

Commercial data

GTIN (EAN)	
sales group	D125
Pack	1 pcs.
Customs tariff	85444290
Catalog page information	Page 25 (PC-2009)

Product notes

WEEE/RoHS-compliant since:
05/29/2006



<http://www.download.phoenixcontact.com>
Please note that the data given here has been taken from the online catalog. For comprehensive information and data, please refer to the user documentation. The General Terms and Conditions of Use apply to Internet downloads.

Technical data**General data**

Rated current at 40°C	2 A
Rated voltage	30 V
Number of positions	8
Volume resistance	≤ 3 mΩ

Insulation resistance	≥ 100 MΩ
Length of cable	0.5 m
Ambient temperature (operation)	-25 °C ... 85 °C (Male connector / female connector)

General characteristics

Standards/regulations	M12 connector IEC 61076-2-101
Coding	A - standard
Surge voltage category	II
Pollution degree	3
Degree of protection	IP67
Contact material	CuZn
Contact surface material	Au
Contact carrier material	PA66 GF
Material, knurls	Zinc die-cast, (nickel-plated)
Sealing material	NBR
Mounting type	Front mounting Pg9 With locking nut
Type of connection	Individual wires
Status display	No

Conductor data

Cable type	TPE litz wire
Conductor cross section	0.25 mm ²
AWG signal line	24
Conductor structure signal line	14x 0.15 mm
Core diameter including insulation	1.15 mm ±0.07 mm
Thickness, insulation	0.21 mm
Wire colors	Brown, blue, white, gray, pink, green, yellow, red
Insulation resistance	≥ 20 MΩ*km
Conductor resistance	≤ 80 mΩ/m
Nominal voltage, conductor	300 V
Test voltage, conductor	2000 V AC
Material conductor insulation	TPE
Conductor material	Tin-plated Cu litz wires
Ambient temperature (operation)	-25 °C ... 90 °C (cable, fixed installation)

Certificates / Approvals



Certification

UL

Accessories

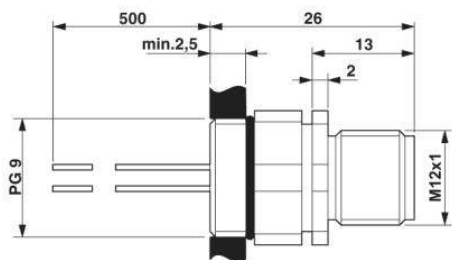
Item	Designation	Description
------	-------------	-------------

Assembly

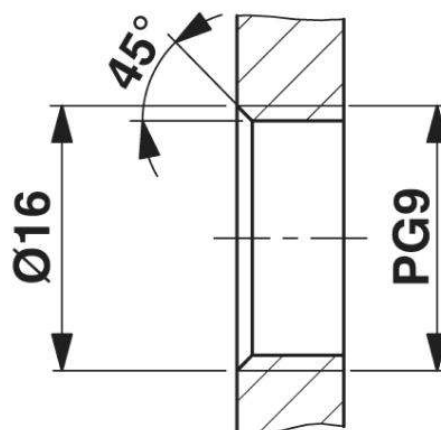
1504084	SACC-E-MU-PG9	Flat nut with Pg9 thread
---------	---------------	--------------------------

Diagrams/Drawings

Dimensioned drawing

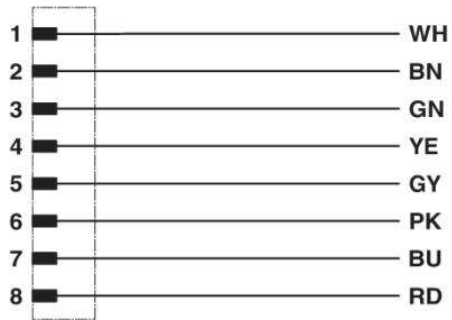


M12 flush-type connector, can be positioned



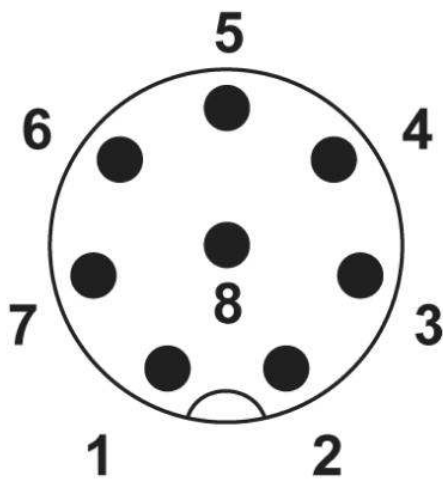
Housing cutout for Pg9 fastening thread, mounting panel with thread

Circuit diagram



Contact assignment of the M12 plug and the M12 socket

Schematic diagram



Pin assignment M12 plug, 8-pos., view plug side

Address

PHOENIX CONTACT Inc., USA
586 Fulling Mill Road
Middletown, PA 17057, USA
Phone (800) 888-7388
Fax (717) 944-1625
<http://www.phoenixcon.com>



© 2010 Phoenix Contact
Technical modifications reserved;