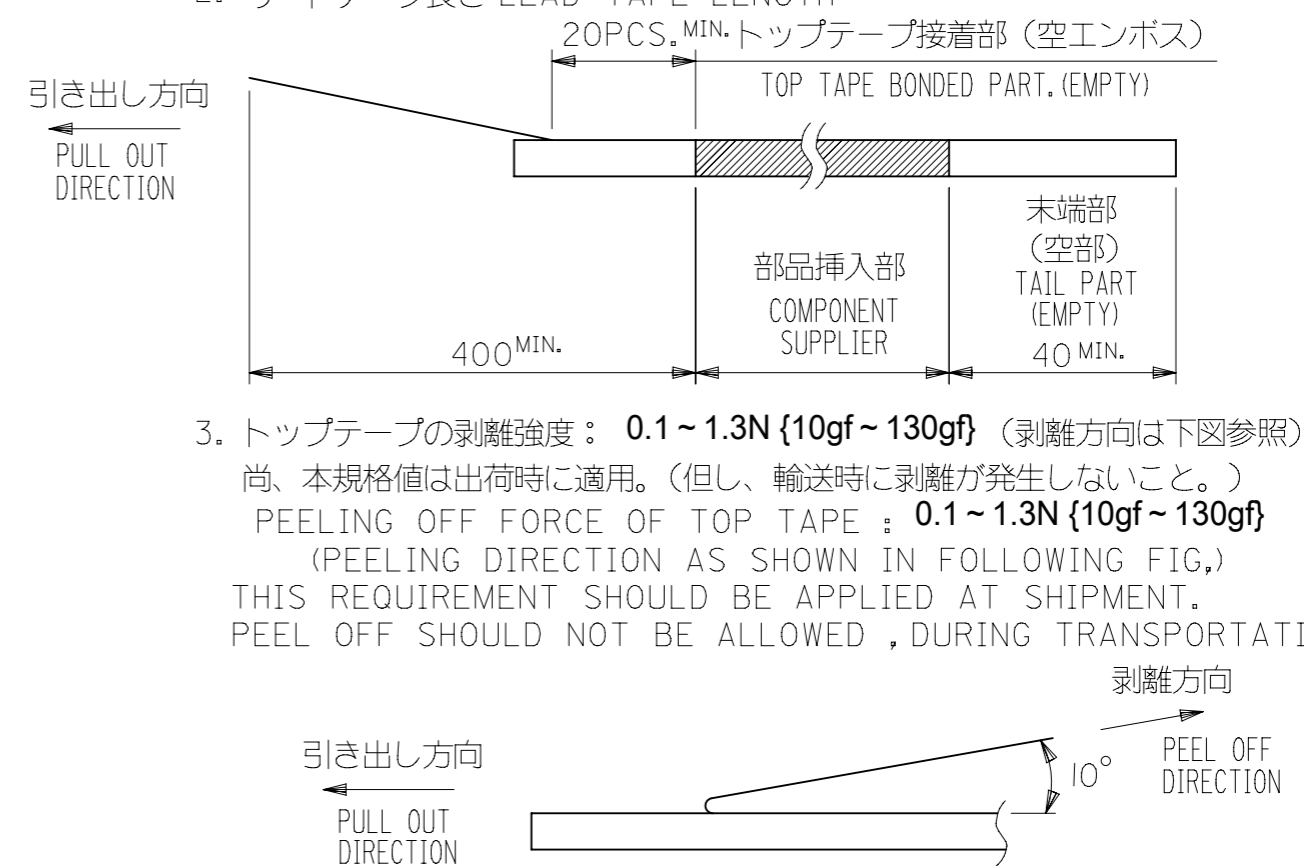


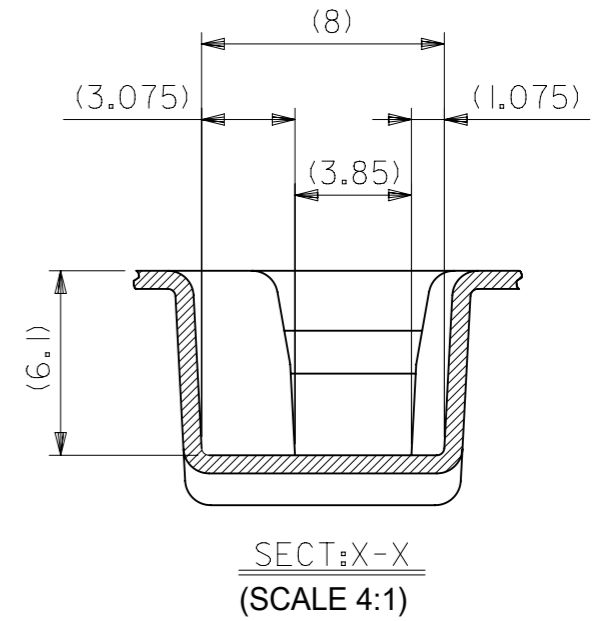
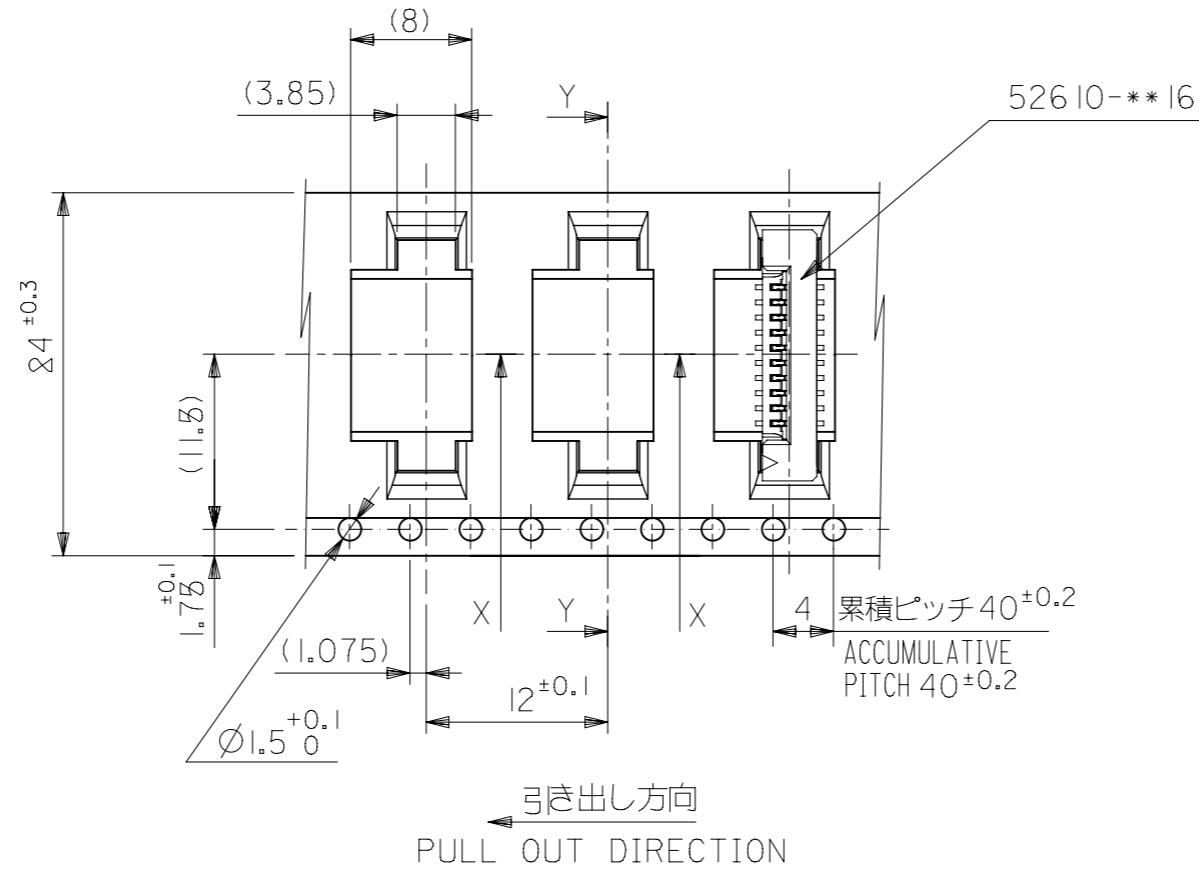
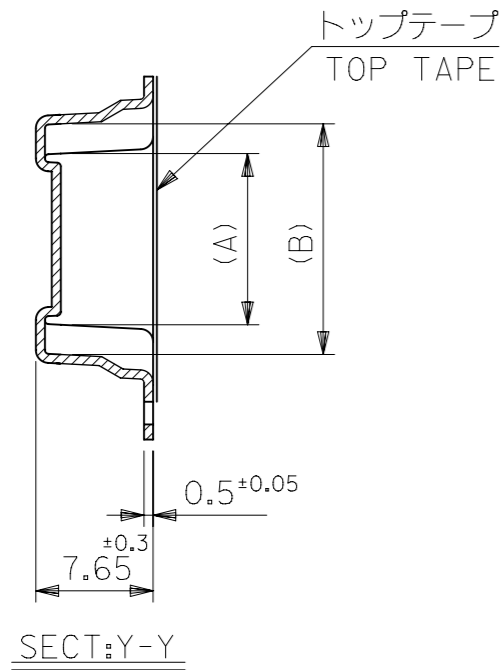
NOTES

- 梱包数量：1000個/リール  
NUMBER OF CONNECTORS : 1000PCS/REEL
- リードテープ長さ LEAD TAPE LENGTH  
20PCS. MIN. トップテープ接着部 (空エンボス)  
TOP TAPE BONDED PART. (EMPTY)  
部品挿入部  
COMPONENT SUPPLIER  
末端部 (空部)  
TAIL PART (EMPTY)  
40 MIN.
- トップテープの剥離強度：0.1~1.3N {10gf~130gf} (剥離方向は下図参照)  
尚、本規格値は出荷時に適用。(但し、輸送時に剥離が発生しないこと。)  
PEELING OFF FORCE OF TOP TAPE : 0.1~1.3N {10gf~130gf}  
(PEELING DIRECTION AS SHOWN IN FOLLOWING FIG.)  
THIS REQUIREMENT SHOULD BE APPLIED AT SHIPMENT.  
PEEL OFF SHOULD NOT BE ALLOWED , DURING TRANSPORTATION.
- 52610-\*\*-16のアクチュエータはハウジング内に押し下げた状態とする。  
詳細寸法については 製品単体図面 を参照下さい。  
ACTUATOR OF PART NO. 52610-\*\*-16 SHOULD BE LOCKED.  
RE DETAILED DIMENSIONS , SEE SALES DRAWING FOR CONNECTOR.
- 材料(MATERIAL)  
キャリアテープ(CARRIER TAPE) : ポリプロピレン(POLYPROPYLENE)  
トップテープ(TOPTAPE) : PET , PE , PEF  
リール(REEL) : ポリスチレン (PS) <リサイクル材を含む>  
POLYSTYREN(PS) <RECYCLE MATERIAL CONTAINED>
- 本製品は 52610-\*\*-90 の鉛フリー品です
- 本製品は乾燥剤入り、ハイバリア梱包仕様である。  
THIS PRODUCT IS HIGH BARRIER PACKAGE WITH DESICCANT.



| GENERAL TOLERANCES (UNLESS SPECIFIED)  |       |
|--|-------|
| 10 <sup>UNDER</sup>                    | ±0.2  |
| 10 <sup>OVER</sup> 30 <sup>UNDER</sup> | ±0.25 |
| 30 <sup>OVER</sup>                     | ±0.3  |
| ANGULAR                                | ±3°   |

|   |       |  |  |                 |  |
|---|-------|--|--|-----------------|--|
| THIS DRAWING CONTAINS INFORMATION THAT IS PROPRIETARY TO MOLEX ELECTRONIC TECHNOLOGIES, LLC AND SHOULD NOT BE USED WITHOUT WRITTEN PERMISSION |       | 52610-**71                                     |  | MODEL NO.       |  |
| DIMENSION UNITS   | SCALE | CURRENT REV DESC:                              |  |                 |  |
| mm  | NTS   | molex  |  |                 |  |
| GENERAL TOLERANCES (UNLESS SPECIFIED)   |       | 1.0 FPC CONN SMT<br>ZIF EMBSTP PKG -LEAD FREE- |  |                 |  |
| ANGULAR TOL ±   |       | PRODUCT CUSTOMER DRAWING                       |  |                 |  |
| 4 PLACES  | ±     | EC NO: 719890                                  |  | DOCUMENT NUMBER |  |
| 3 PLACES  | ±     | DRWN: DGONDO 2022/09/01                        |  | SD-52610-038    |  |
| 2 PLACES  | ±     | CHK'D: SMARUYAMA 2022/09/05                    |  | DOC TYPE        |  |
| 1 PLACE   | ±     | APPR: YNAITO 2022/09/05                        |  | PSD             |  |
| 0 PLACES  | ±     | INITIAL REVISION:                              |  | DOC PART        |  |
| DRAFT WHERE APPLICABLE MUST REMAIN WITHIN DIMENSIONS  |       | DRWN: NAIDA 2005/08/08                         |  | 001             |  |
| THIRD ANGLE PROJECTION  |       | APPR: NUKITA 2005/08/22                        |  | D               |  |
| DRAWING   |       | SERIES   |  | SHEET NUMBER    |  |
| A3-SIZE   |       | 52610  |  | 1 OF 5          |  |
| MATERIAL NUMBER   |       | CUSTOMER                                       |  |                 |  |
| SEE TABLE   |       | GENERAL MARKET                                 |  |                 |  |

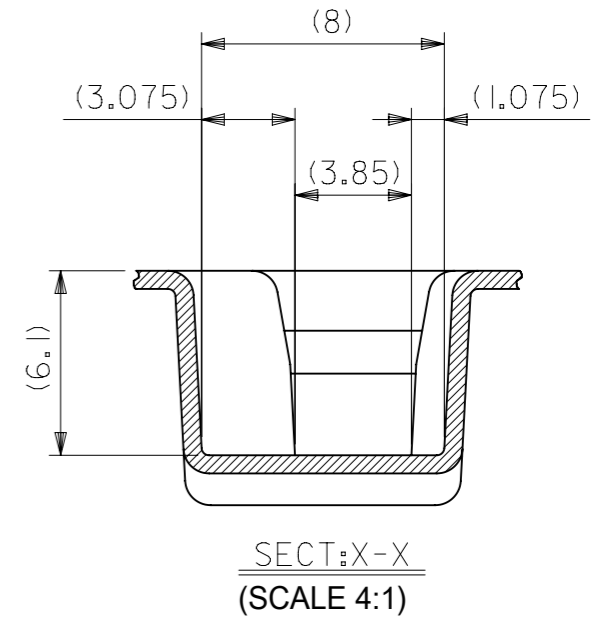
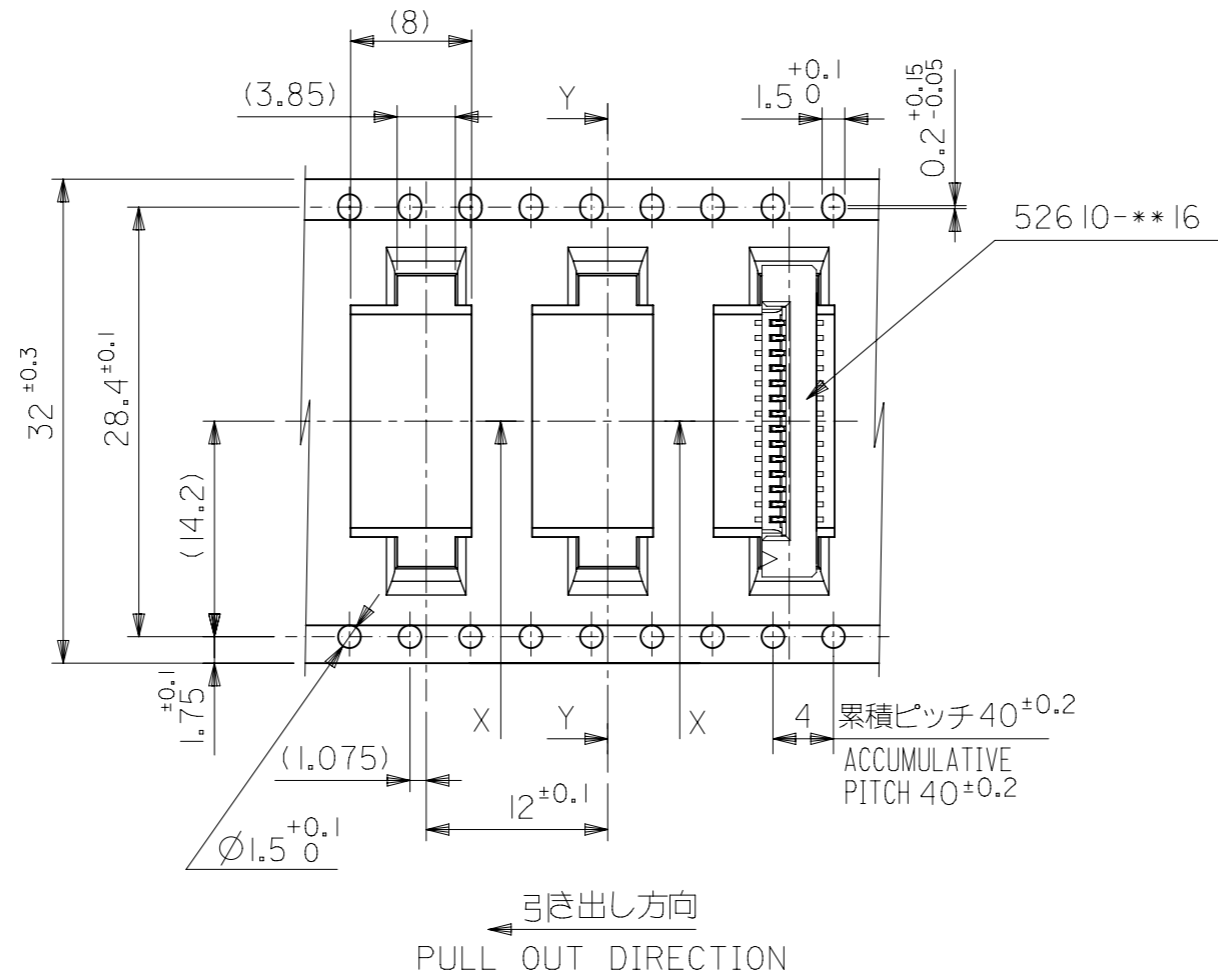
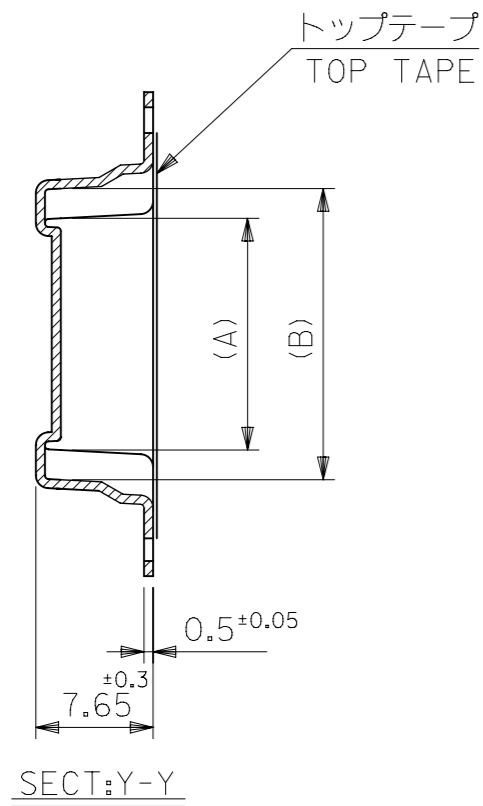


|                                |      |      |       |       |              |            |
|--------------------------------|------|------|-------|-------|--------------|------------|
| 24                             | 29.4 | 25.4 | 15.25 | 11.32 | 52610-1071   | 10         |
|                                |      |      | 14.25 | 10.32 | 52610-0971   | 9          |
|                                |      |      | 13.25 | 9.32  | 52610-0871   | 8          |
|                                |      |      | 12.25 | 8.32  | 52610-0771   | 7          |
|                                |      |      | 11.25 | 7.32  | 52610-0671   | 6          |
|                                |      |      | 10.25 | 6.32  | 52610-0571   | 5          |
| キャリアテープ幅<br>CARRIER TAPE WIDTH | D    | C    | (B)   | (A)   | MATERIAL NO. | 極数<br>CKT. |

52610-\*\*-71 MODEL NO.

|   |  |       |  |  |  |         |  |           |  |                 |  |
|---|--|-------|--|--|--|---------|--|-----------|--|-----------------|--|
| THIS DRAWING CONTAINS INFORMATION THAT IS PROPRIETARY TO MOLEX ELECTRONIC TECHNOLOGIES, LLC AND SHOULD NOT BE USED WITHOUT WRITTEN PERMISSION |  |       |  |  |  |         |  |           |  |                 |  |
| DIMENSION UNITS   |  | SCALE |  | CURRENT REV DESC:  |  |         |  |           |  |                 |  |
| mm  |  | NTS   |  | <b>molex</b><br>1.0 FPC CONN SMT<br>ZIF EMBSTP PKG -LEAD FREE-<br>PRODUCT CUSTOMER DRAWING<br>EC NO: 719890<br>DRWN: DGONDO 2022/09/01<br>CHK'D: SMARUYAMA 2022/09/05<br>APPR: YNAITO 2022/09/05<br>INITIAL REVISION:<br>DRWN: NAIDA 2005/08/08<br>APPR: NUKITA 2005/08/22<br>DOCUMENT NUMBER: SD-52610-038<br>DOC TYPE: PSD<br>DOC PART: 001<br>REVISION: D<br>MATERIAL NUMBER: SEE TABLE<br>CUSTOMER: GENERAL MARKET<br>SHEET NUMBER: 2 OF 5 |  |         |  |           |  |                 |  |
| GENERAL TOLERANCES (UNLESS SPECIFIED)   |  |       |  |  |  |         |  |           |  |                 |  |
| ANGULAR TOL ±   |  |       |  |  |  |         |  |           |  |                 |  |
| 4 PLACES ±  |  |       |  |  |  |         |  |           |  |                 |  |
| 3 PLACES ±  |  |       |  |  |  |         |  |           |  |                 |  |
| 2 PLACES ±  |  |       |  |  |  |         |  |           |  |                 |  |
| 1 PLACE ±   |  |       |  |  |  |         |  |           |  |                 |  |
| 0 PLACES ±  |  |       |  |  |  |         |  |           |  |                 |  |
| DRAFT WHERE APPLICABLE MUST REMAIN WITHIN DIMENSIONS  |  |       |  | THIRD ANGLE PROJECTION   |  | DRAWING |  | SERIES    |  | MATERIAL NUMBER |  |
|   |  |       |  | A3-SIZE  |  | 52610   |  | SEE TABLE |  | GENERAL MARKET  |  |

|  |       |
|--|-------|
| GENERAL TOLERANCES (UNLESS SPECIFIED)  |       |
| 10 <sup>UNDER</sup>                    | ±0.2  |
| 10 <sup>OVER</sup> 30 <sup>UNDER</sup> | ±0.25 |
| 30 <sup>OVER</sup>                     | ±0.3  |
| ANGULAR                                | ±3°   |

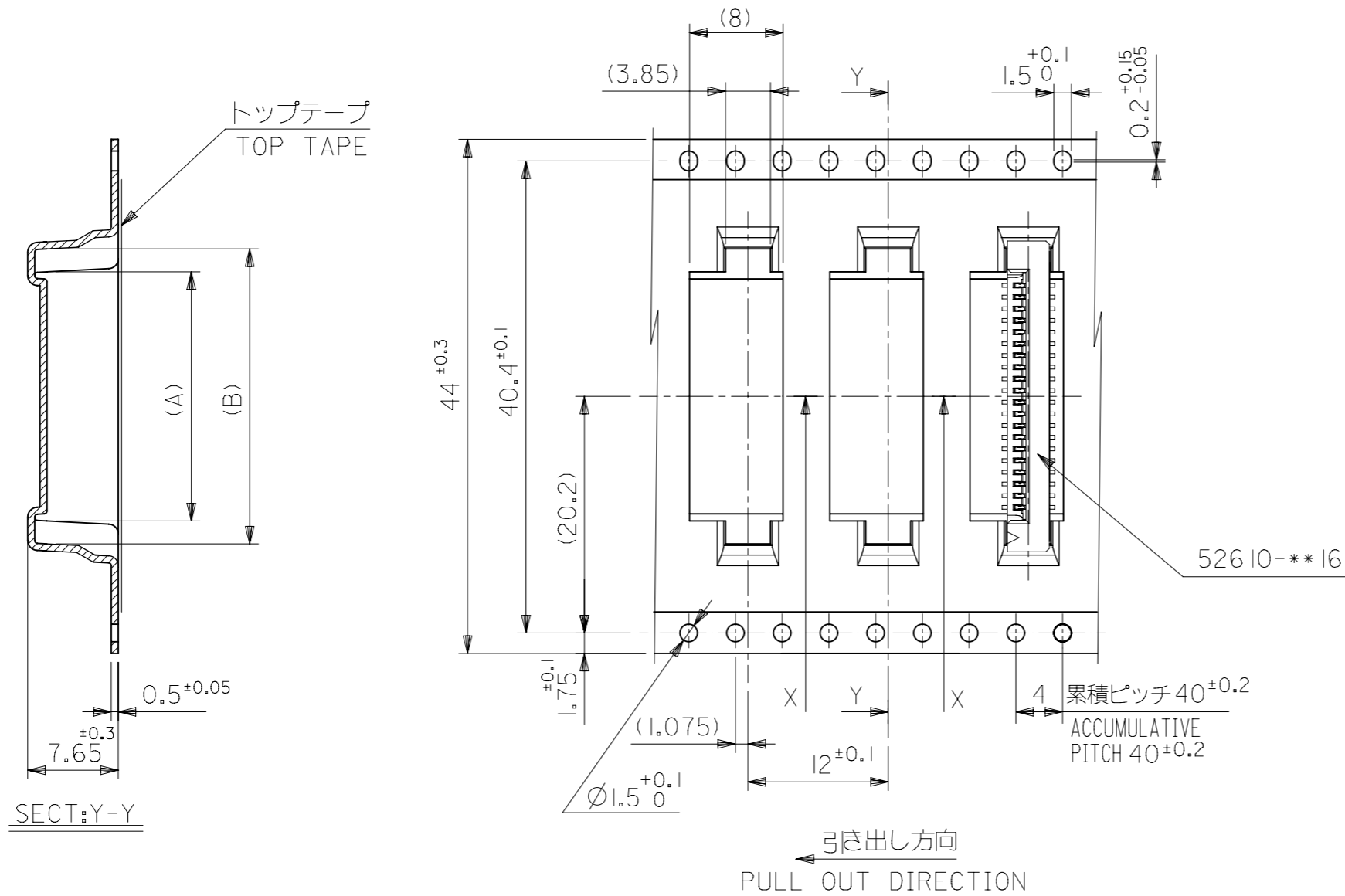


|                                |      |      |       |       |              |            |
|--------------------------------|------|------|-------|-------|--------------|------------|
| 32                             | 37.4 | 33.4 | 20.25 | 16.32 | 52610-1571   | 15         |
|                                |      |      | 19.25 | 15.32 | 52610-1471   | 14         |
|                                |      |      | 18.25 | 14.32 | 52610-1371   | 13         |
|                                |      |      | 17.25 | 13.32 | 52610-1271   | 12         |
|                                |      |      | 16.25 | 12.32 | 52610-1171   | 11         |
| キャリアテープ幅<br>CARRIER TAPE WIDTH | D    | C    | (B)   | (A)   | MATERIAL NO. | 極数<br>CKT. |

52610-\*\*71 MODEL NO.

|   |  |       |  |  |  |            |  |                 |  |                            |  |
|---|--|-------|--|--|--|------------|--|-----------------|--|----------------------------|--|
| THIS DRAWING CONTAINS INFORMATION THAT IS PROPRIETARY TO MOLEX ELECTRONIC TECHNOLOGIES, LLC AND SHOULD NOT BE USED WITHOUT WRITTEN PERMISSION |  |       |  |  |  |            |  |                 |  |                            |  |
| DIMENSION UNITS   |  | SCALE |  | CURRENT REV DESC:  |  |            |  |                 |  |                            |  |
| mm  |  | NTS   |  | <b>molex</b><br>1.0 FPC CONN SMT<br>ZIF EMBSTP PKG -LEAD FREE-<br>PRODUCT CUSTOMER DRAWING |  |            |  |                 |  |                            |  |
| GENERAL TOLERANCES (UNLESS SPECIFIED)   |  |       |  |  |  |            |  |                 |  |                            |  |
| ANGULAR TOL ±   |  |       |  |  |  |            |  |                 |  |                            |  |
| 4 PLACES ±  |  |       |  |  |  |            |  |                 |  |                            |  |
| 3 PLACES ±  |  |       |  |  |  |            |  |                 |  |                            |  |
| 2 PLACES ±  |  |       |  | EC NO: 719890  |  | 2022/09/01 |  | DOCUMENT NUMBER |  | DOC TYPE DOC PART REVISION |  |
| 1 PLACE ±   |  |       |  | DRWN: NAIDA  |  | 2005/08/08 |  | SD-52610-038    |  | PSD 001 D                  |  |
| 0 PLACES ±  |  |       |  | APPR: NUKITA   |  | 2005/08/22 |  | MATERIAL NUMBER |  | CUSTOMER                   |  |
| DRAFT WHERE APPLICABLE MUST REMAIN WITHIN DIMENSIONS  |  |       |  | THIRD ANGLE PROJECTION   |  | DRAWING    |  | SERIES          |  | SHEET NUMBER               |  |
|   |  |       |  | A3-SIZE  |  | 52610      |  | SEE TABLE       |  | GENERAL MARKET 3 OF 5      |  |

| GENERAL TOLERANCES (UNLESS SPECIFIED)  |       |
|--|-------|
| 10 <sup>UNDER</sup>                    | ±0.2  |
| 10 <sup>OVER</sup> 30 <sup>UNDER</sup> | ±0.25 |
| 30 <sup>OVER</sup>                     | ±0.3  |
| ANGULAR                                | ±3°   |

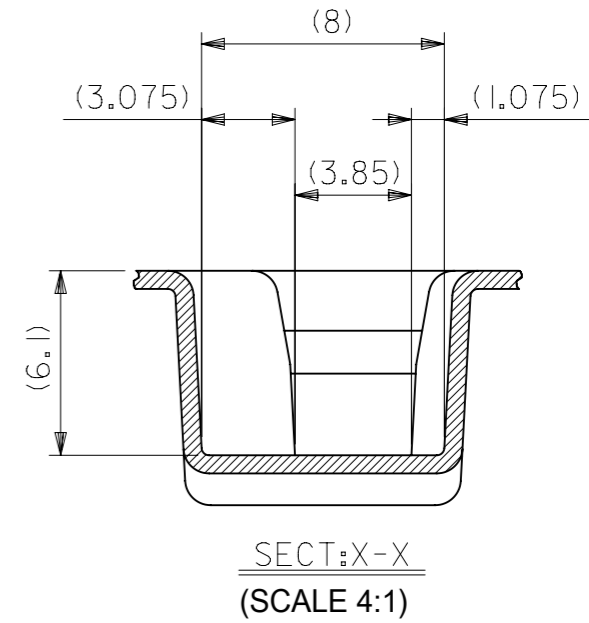
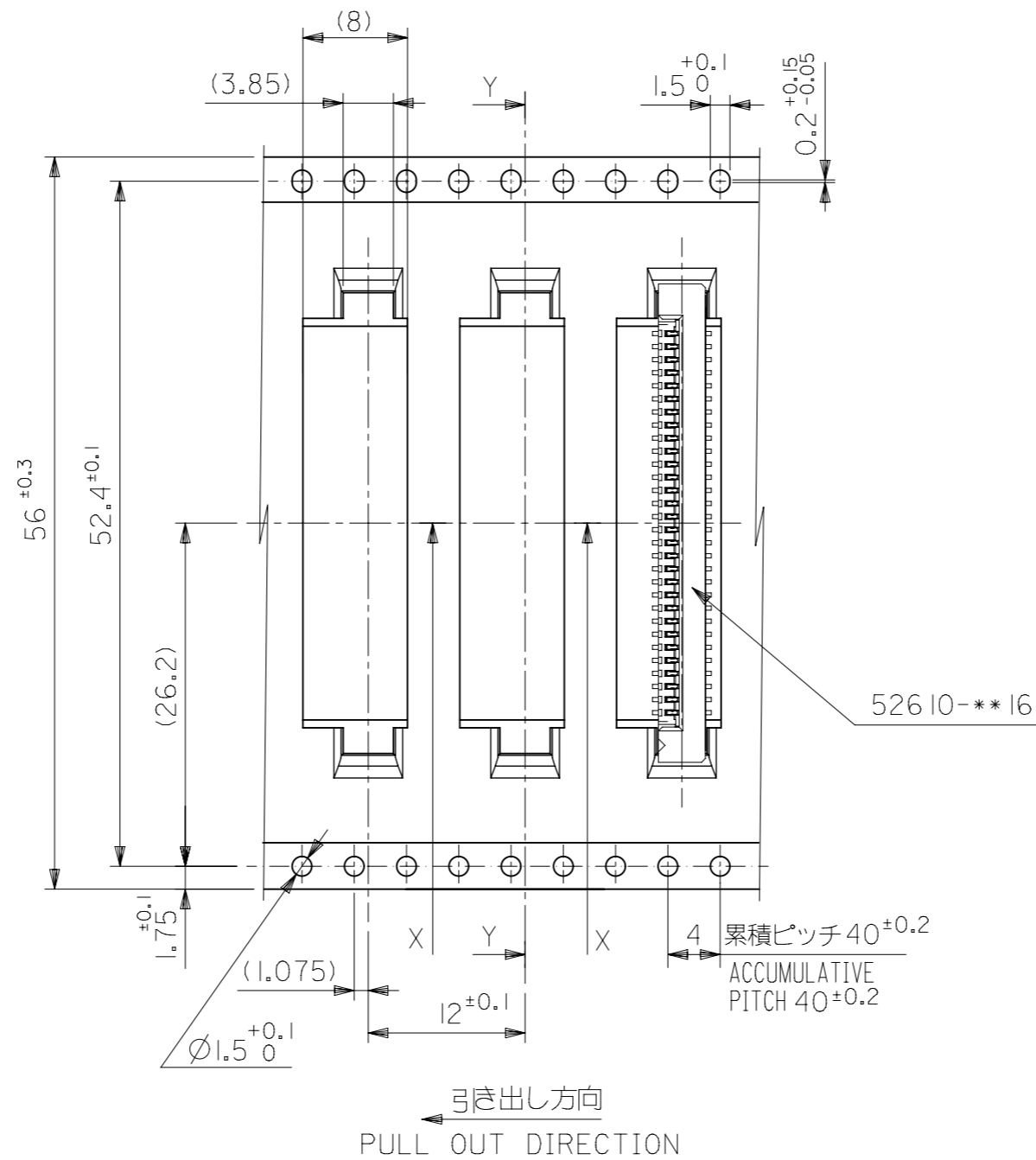
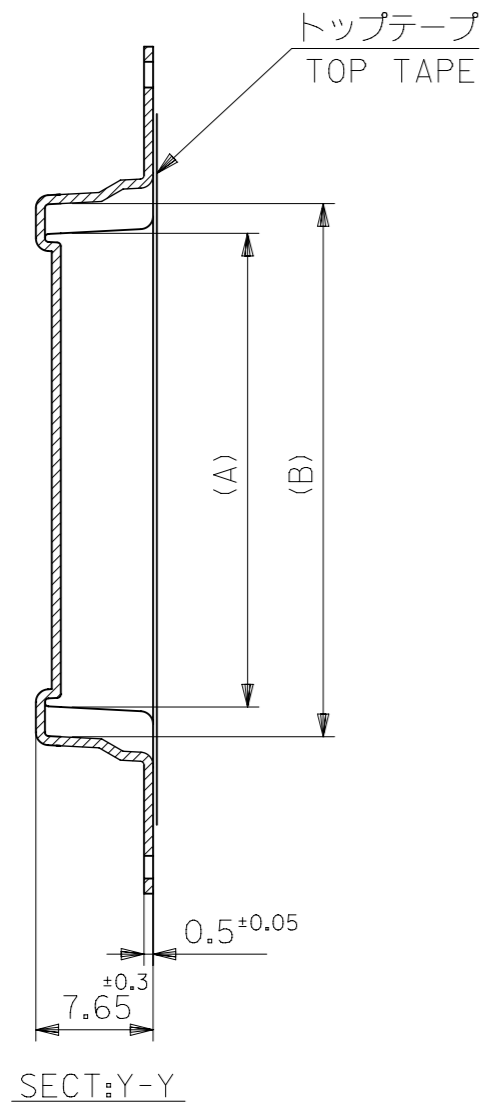


|                                |      |      |       |       |              |            |
|--------------------------------|------|------|-------|-------|--------------|------------|
| 44                             | 49.4 | 45.4 | 31.25 | 27.32 | 52610-2671   | 26         |
|                                |      |      | 30.25 | 26.32 | 52610-2571   | 25         |
|                                |      |      | 29.25 | 25.32 | 52610-2471   | 24         |
|                                |      |      | 28.25 | 24.32 | 52610-2371   | 23         |
|                                |      |      | 27.25 | 23.32 | 52610-2271   | 22         |
|                                |      |      | 26.25 | 22.32 | 52610-2171   | 21         |
|                                |      |      | 25.25 | 21.32 | 52610-2071   | 20         |
|                                |      |      | 24.25 | 20.32 | 52610-1971   | 19         |
|                                |      |      | 23.25 | 19.32 | 52610-1871   | 18         |
|                                |      |      | 22.25 | 18.32 | 52610-1771   | 17         |
|                                |      |      | 21.25 | 17.32 | 52610-1671   | 16         |
| キャリアテープ幅<br>CARRIER TAPE WIDTH | D    | C    | (B)   | (A)   | MATERIAL NO. | 極数<br>CKT. |

52610-\*\*71 MODEL NO.

|   |  |       |  |  |  |         |  |           |  |                 |  |
|---|--|-------|--|--|--|---------|--|-----------|--|-----------------|--|
| THIS DRAWING CONTAINS INFORMATION THAT IS PROPRIETARY TO MOLEX ELECTRONIC TECHNOLOGIES, LLC AND SHOULD NOT BE USED WITHOUT WRITTEN PERMISSION |  |       |  |  |  |         |  |           |  |                 |  |
| DIMENSION UNITS   |  | SCALE |  | CURRENT REV DESC:  |  |         |  |           |  |                 |  |
| mm  |  | NTS   |  | <b>molex</b><br>1.0 FPC CONN SMT<br>ZIF EMBSTP PKG -LEAD FREE-<br>PRODUCT CUSTOMER DRAWING<br>EC NO: 719890<br>DRWN: DGONDO 2022/09/01<br>CHK'D: SMARUYAMA 2022/09/05<br>APPR: YNAITO 2022/09/05<br>INITIAL REVISION:<br>DRWN: NAIDA 2005/08/08<br>APPR: NUKITA 2005/08/22<br>DOCUMENT NUMBER: SD-52610-038<br>DOC TYPE: PSD DOC PART: 001 REVISION: D<br>MATERIAL NUMBER: SEE TABLE CUSTOMER: GENERAL MARKET SHEET NUMBER: 4 OF 5 |  |         |  |           |  |                 |  |
| GENERAL TOLERANCES (UNLESS SPECIFIED)   |  |       |  |  |  |         |  |           |  |                 |  |
| ANGULAR TOL ± °   |  |       |  |  |  |         |  |           |  |                 |  |
| 4 PLACES ±  |  |       |  |  |  |         |  |           |  |                 |  |
| 3 PLACES ±  |  |       |  |  |  |         |  |           |  |                 |  |
| 2 PLACES ±  |  |       |  |  |  |         |  |           |  |                 |  |
| 1 PLACE ±   |  |       |  |  |  |         |  |           |  |                 |  |
| 0 PLACES ±  |  |       |  |  |  |         |  |           |  |                 |  |
| DRAFT WHERE APPLICABLE MUST REMAIN WITHIN DIMENSIONS  |  |       |  | THIRD ANGLE PROJECTION   |  | DRAWING |  | SERIES    |  | MATERIAL NUMBER |  |
|   |  |       |  | A3-SIZE  |  | 52610   |  | SEE TABLE |  | GENERAL MARKET  |  |

|  |       |
|--|-------|
| GENERAL TOLERANCES (UNLESS SPECIFIED)  |       |
| 10 <sup>UNDER</sup>                    | ±0.2  |
| 10 <sup>OVER</sup> 30 <sup>UNDER</sup> | ±0.25 |
| 30 <sup>OVER</sup>                     | ±0.3  |
| ANGULAR                                | ±3 °  |

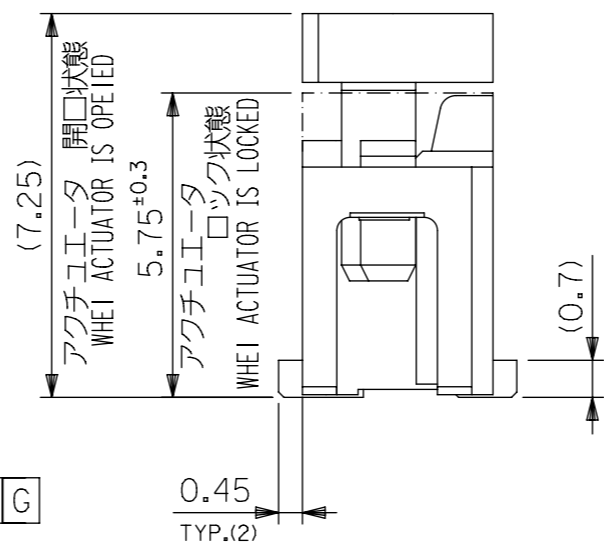
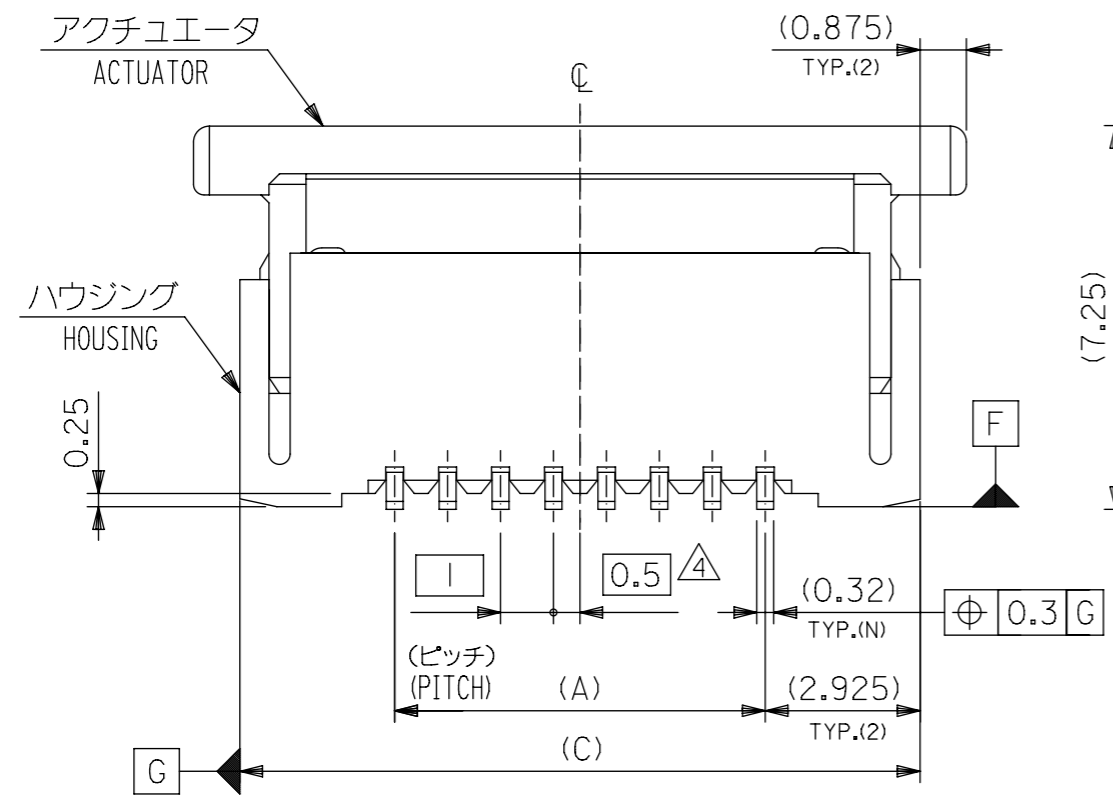
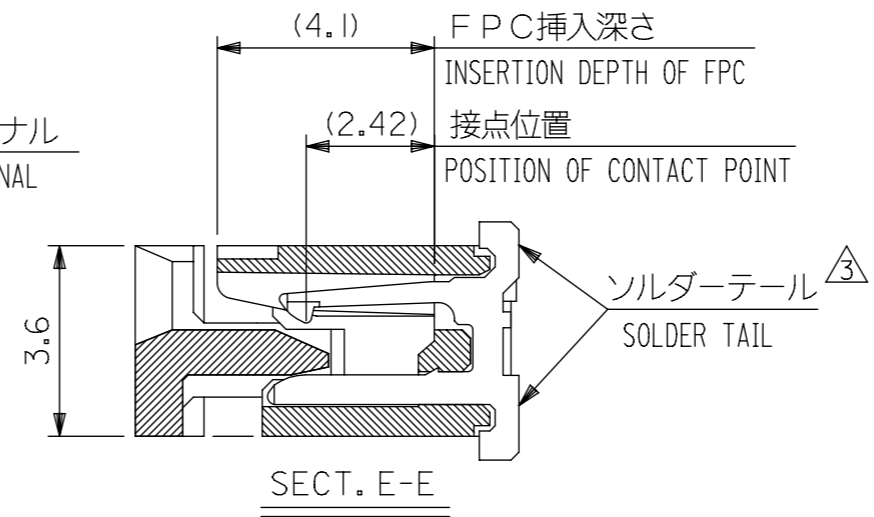
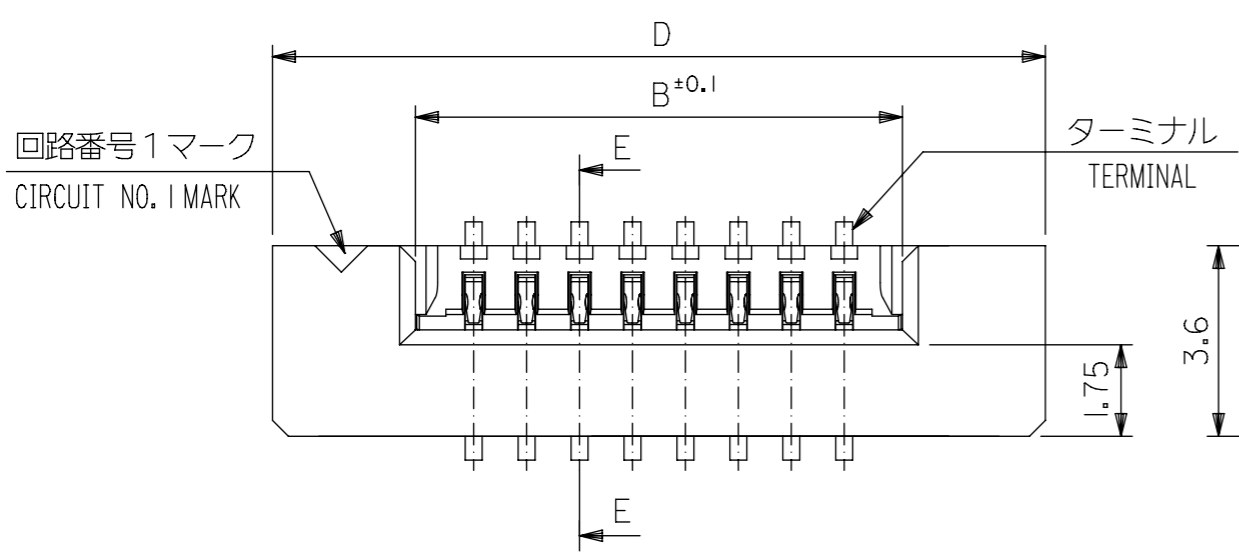


|                                |      |      |       |       |              |            |
|--------------------------------|------|------|-------|-------|--------------|------------|
| 56                             | 61.4 | 57.4 | 35.25 | 31.32 | 526 10-3071  | 30         |
|                                |      |      | 33.25 | 29.32 | 526 10-2871  | 28         |
| キャリアテープ幅<br>CARRIER TAPE WIDTH | D    | C    | (B)   | (A)   | MATERIAL NO. | 極数<br>CKT. |

52610-\*\*\*71 MODEL NO.

|   |  |       |  |  |  |                |  |                 |  |
|---|--|-------|--|--|--|----------------|--|-----------------|--|
| THIS DRAWING CONTAINS INFORMATION THAT IS PROPRIETARY TO MOLEX ELECTRONIC TECHNOLOGIES, LLC AND SHOULD NOT BE USED WITHOUT WRITTEN PERMISSION |  |       |  |  |  |                |  |                 |  |
| DIMENSION UNITS   |  | SCALE |  | CURRENT REV DESC:  |  |                |  |                 |  |
| mm  |  | NTS   |  | <b>molex</b><br>1.0 FPC CONN SMT<br>ZIF EMBSTP PKG -LEAD FREE-<br>PRODUCT CUSTOMER DRAWING |  |                |  |                 |  |
| GENERAL TOLERANCES (UNLESS SPECIFIED)   |  |       |  |  |  |                |  |                 |  |
| ANGULAR TOL ±   |  |       |  |  |  |                |  |                 |  |
| 4 PLACES ±  |  |       |  |  |  |                |  |                 |  |
| 3 PLACES ±  |  |       |  |  |  |                |  |                 |  |
| 2 PLACES ±  |  |       |  | EC NO: 719890  |  | 2022/09/01     |  | DOCUMENT NUMBER |  |
| 1 PLACE ±   |  |       |  | DRWN: DGONDO   |  | 2022/09/05     |  | DOC TYPE        |  |
| 0 PLACES ±  |  |       |  | CHK'D: SMARUYAMA   |  | 2022/09/05     |  | DOC PART        |  |
| DRAFT WHERE APPLICABLE MUST REMAIN WITHIN DIMENSIONS  |  |       |  | APPR: YNAITO   |  | 2022/09/05     |  | REVISION        |  |
| THIRD ANGLE PROJECTION  |  |       |  | INITIAL REVISION:  |  | 2005/08/08     |  | SD-52610-038    |  |
| DRAWING   |  |       |  | DRWN: NAIDA  |  | 2005/08/22     |  | PSD 001 D       |  |
| SERIES  |  |       |  | APPR: NUKITA   |  | 2005/08/22     |  | SHEET NUMBER    |  |
| A3-SIZE   |  |       |  | MATERIAL NUMBER  |  | CUSTOMER       |  | 5 OF 5          |  |
| 52610   |  |       |  | SEE TABLE  |  | GENERAL MARKET |  |                 |  |

|  |       |
|--|-------|
| GENERAL TOLERANCES (UNLESS SPECIFIED)  |       |
| 10 <sup>UNDER</sup>                    | ±0.2  |
| 10 <sup>OVER</sup> 30 <sup>UNDER</sup> | ±0.25 |
| 30 <sup>OVER</sup>                     | ±0.3  |
| ANGULAR                                | ±3°   |

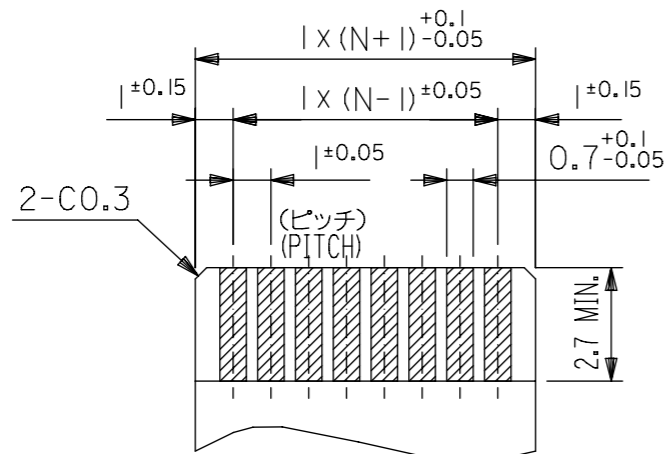


注記 (NOTES):

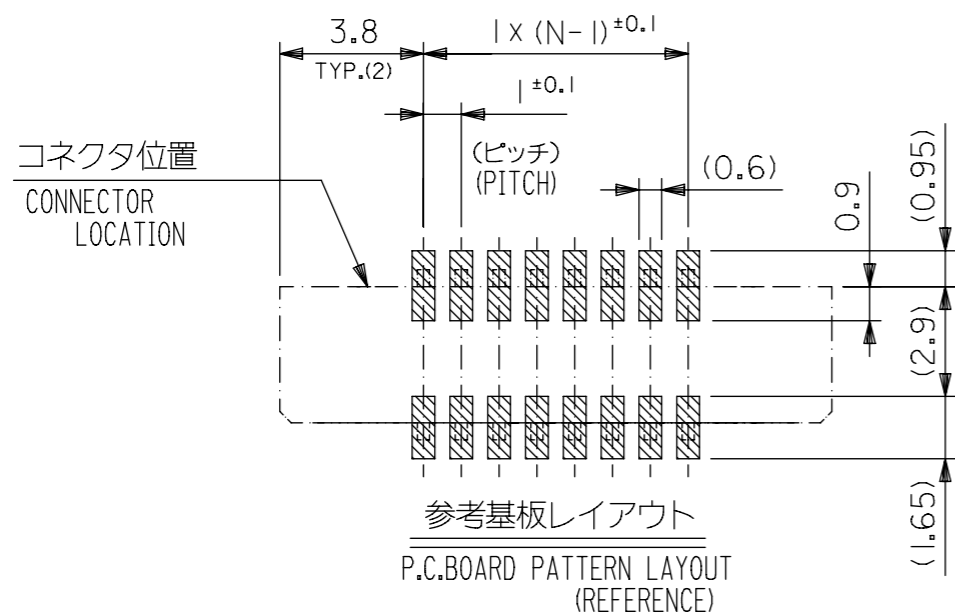
- 材料 (MATERIAL)  
 ハウジング (HOUSING): 46NYLON, UL94V-0  
 アクチュエータ (ACTUATOR): PPS, UL94V-0  
 ターミナル (TERMINAL): リン青銅 (+0.32)  
 PHOS-BRO  
 錫 (3%±1%) ビスマスメッキ 1.0マイクロメートル以上  
 TIN (3%±1%) BISMUTH 1.0 MICROMETER MINIMUM  
 ニッケル下地 1.0マイクロメートル以上  
 NICKEL (UNDER PLATING) 1.0 MICROMETER MINIMUM
- エンボステープ梱包時は、アクチュエータがロックした状態とする。  
 IN THE PACKAGE, ACTUATOR OF PART NO. 52610-\*\*16 SHOULD BE LOCKED.
- △3 ソルダータール半田付け面のズレ量は、基準面 [F] に対し上方向 0.05 MAX., 下方向 0.15 MAX. とする。  
 MISALIGNMENT OF SOLDER TAILS FROM [F] UPPER DIRECTION : 0.05 MAX., LOWER DIRECTION : 0.15 MAX.
- △4 偶数極に適用。  
 APPLY FOR EVEN CIRCUIT.
- 本製品は 52610-\*\*17 の鉛フリー品です

|   |       |                                       |  |   |  |
|---|-------|---------------------------------------|--|---|--|
| THIS DRAWING CONTAINS INFORMATION THAT IS PROPRIETARY TO MOLEX ELECTRONIC TECHNOLOGIES, LLC AND SHOULD NOT BE USED WITHOUT WRITTEN PERMISSION |       | CURRENT REV DESC:                     |  | <b>molex</b>  |  |
| DIMENSION UNITS   | SCALE |                                       |  |   |  |
| mm  | NTS   |                                       |  | 1.0 FPC CONNECTOR<br>Z.I.F. FOR SMT.(ST.) -LEAD FREE- |  |
| GENERAL TOLERANCES (UNLESS SPECIFIED)   |       | GENERAL TOLERANCES (UNLESS SPECIFIED) |  | PRODUCT CUSTOMER DRAWING                              |  |
| ANGULAR TOL ± °   |       | ANGULAR TOL ± °                       |  | DOCUMENT NUMBER                                       |  |
| 4 PLACES ±  |       | 4 PLACES ±                            |  | SD-52610-041  |  |
| 3 PLACES ±  |       | 3 PLACES ±                            |  | DOC TYPE  |  |
| 2 PLACES ±  |       | 2 PLACES ±                            |  | PSD   |  |
| 1 PLACE ±   |       | 1 PLACE ±                             |  | DOC PART  |  |
| 0 PLACES ±  |       | 0 PLACES ±                            |  | 001   |  |
| DRAFT WHERE APPLICABLE MUST REMAIN WITHIN DIMENSIONS  |       | THIRD ANGLE PROJECTION                |  | REVISION  |  |
|   |       | DRAWING                               |  | H   |  |
|   |       | SERIES                                |  | SHEET NUMBER  |  |
|   |       | A3-SIZE                               |  | 1 OF 2  |  |
|   |       | 52610                                 |  | MATERIAL NUMBER                                       |  |
|   |       | SEE SHEET-2                           |  | CUSTOMER  |  |
|   |       | GENERAL MARKET                        |  |   |  |

|  |       |
|--|-------|
| GENERAL TOLERANCES (UNLESS SPECIFIED)  |       |
| 10 <sup>UNDER</sup>                    | ±0.2  |
| 10 <sup>OVER</sup> 30 <sup>UNDER</sup> | ±0.25 |
| 30 <sup>OVER</sup>                     | ±0.3  |
| ANGULAR                                | ±3°   |



適合FPC推奨寸法  
 APPLICABLE FPC RECOMMENDED DIM.  
 仕上がり厚さ(THICKNESS): 0.3 ±0.05



FPCについて:  
 打抜き方向は導体側から補強板側を推奨致します。  
 補強フィルム材質はポリイミドを推奨致します。  
 接着剤は熱硬化接着剤を推奨致します。

ABOUT FPC:  
 RECOMMENDED PUNCHER DIRECTION : FROM CONDUCTOR SIDE TO STIFFENER BOARD SIDE.  
 RECOMMENDED MATERIAL :  
 STIFFENER FILM : POLYIMIDE  
 BONDING AGENT : THERMOSETTING BONDING AGENT

|      |       |      |     |              |      |
|------|-------|------|-----|--------------|------|
| 36.6 | 34.85 | 31.2 | 29  | 52610-3071   | 30   |
| 34.6 | 32.85 | 29.2 | 27  | -2871        | 28   |
| 32.6 | 30.85 | 27.2 | 25  | -2671        | 26   |
| 31.6 | 29.85 | 26.2 | 24  | -2571        | 25   |
| 30.6 | 28.85 | 25.2 | 23  | -2471        | 24   |
| 29.6 | 27.85 | 24.2 | 22  | -2371        | 23   |
| 28.6 | 26.85 | 23.2 | 21  | -2271        | 22   |
| 27.6 | 25.85 | 22.2 | 20  | -2171        | 21   |
| 26.6 | 24.85 | 21.2 | 19  | -2071        | 20   |
| 25.6 | 23.85 | 20.2 | 18  | -1971        | 19   |
| 24.6 | 22.85 | 19.2 | 17  | -1871        | 18   |
| 23.6 | 21.85 | 18.2 | 16  | -1771        | 17   |
| 22.6 | 20.85 | 17.2 | 15  | -1671        | 16   |
| 21.6 | 19.85 | 16.2 | 14  | -1571        | 15   |
| 20.6 | 18.85 | 15.2 | 13  | -1471        | 14   |
| 19.6 | 17.85 | 14.2 | 12  | -1371        | 13   |
| 18.6 | 16.85 | 13.2 | 11  | -1271        | 12   |
| 17.6 | 15.85 | 12.2 | 10  | -1171        | 11   |
| 16.6 | 14.85 | 11.2 | 9   | -1071        | 10   |
| 15.6 | 13.85 | 10.2 | 8   | -0971        | 9    |
| 14.6 | 12.85 | 9.2  | 7   | -0871        | 8    |
| 13.6 | 11.85 | 8.2  | 6   | -0771        | 7    |
| 12.6 | 10.85 | 7.2  | 5   | -0671        | 6    |
| 11.6 | 9.85  | 6.2  | 4   | 52610-0571   | 5    |
| D    | (C)   | B    | (A) | MATERIAL NO. | CKT. |

THIS DRAWING CONTAINS INFORMATION THAT IS PROPRIETARY TO MOLEX ELECTRONIC TECHNOLOGIES, LLC AND SHOULD NOT BE USED WITHOUT WRITTEN PERMISSION

|  |              |                        |         |                 |                 |                |
|--|--------------|------------------------|---------|-----------------|-----------------|----------------|
| DIMENSION UNITS<br>mm                                      | SCALE<br>NTS | CURRENT REV DESC:      |         | <b>molex</b>    |                 |                |
| GENERAL TOLERANCES (UNLESS SPECIFIED)                      |              | EC NO: 745355          |         |                 |                 |                |
| ANGULAR TOL ±  | °            | DRWN: RAJMOK           |         | 2023/04/06      |                 |                |
| 4 PLACES ±   |              | CHK'D: HSHIMOYAMA      |         | 2023/04/07      |                 |                |
| 3 PLACES ±   |              | APPR: HSHIMOYAMA       |         | 2023/04/07      |                 |                |
| 2 PLACES ±   |              | INITIAL REVISION:      |         | DOCUMENT NUMBER |                 |                |
| 1 PLACE ±  |              | DRWN: MNABEI           |         | SD-52610-041    |                 | DOC TYPE       |
| 0 PLACES ±   |              | APPR: NUKITA           |         | 2006/04/17      |                 | DOC PART       |
| DRAFT WHERE APPLICABLE<br>MUST REMAIN<br>WITHIN DIMENSIONS |              | THIRD ANGLE PROJECTION | DRAWING | SERIES          | MATERIAL NUMBER | CUSTOMER       |
| ANGULAR ±3°  |              |                        | A3-SIZE | 52610           | SEE TABLE       | GENERAL MARKET |
|  |              |                        |         |                 |                 | REVISION       |
|  |              |                        |         |                 |                 | H              |
|  |              |                        |         |                 |                 | SHEET NUMBER   |
|  |              |                        |         |                 |                 | 2 OF 2         |