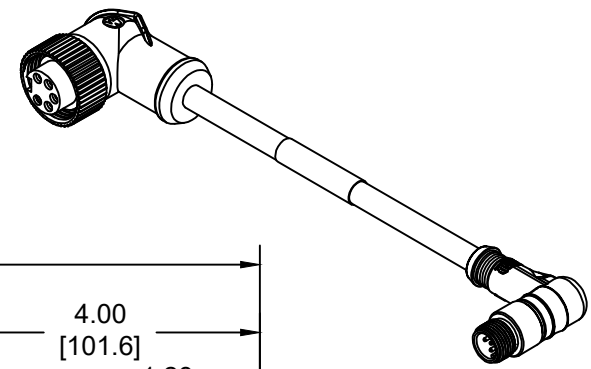


| SAP P/N #  | ENGINEERING P/N | FINISHED LENGTH   |
|------------|-----------------|-------------------|
| 1300390215 | DND93A-M005     | 0.5M [ 1FT 8 IN ] |
| 1300390217 | DND93A-M020     | 2M [6FT 7 IN ]    |
| 1300390218 | DND93A-M050     | 5M [ 16FT 5 IN ]  |

**PART NUMBER LEGEND**

**DND93A-M005**

LENGTH:  
M005= 0.5 METER  
M010= 1 METER  
M100= 10 METER

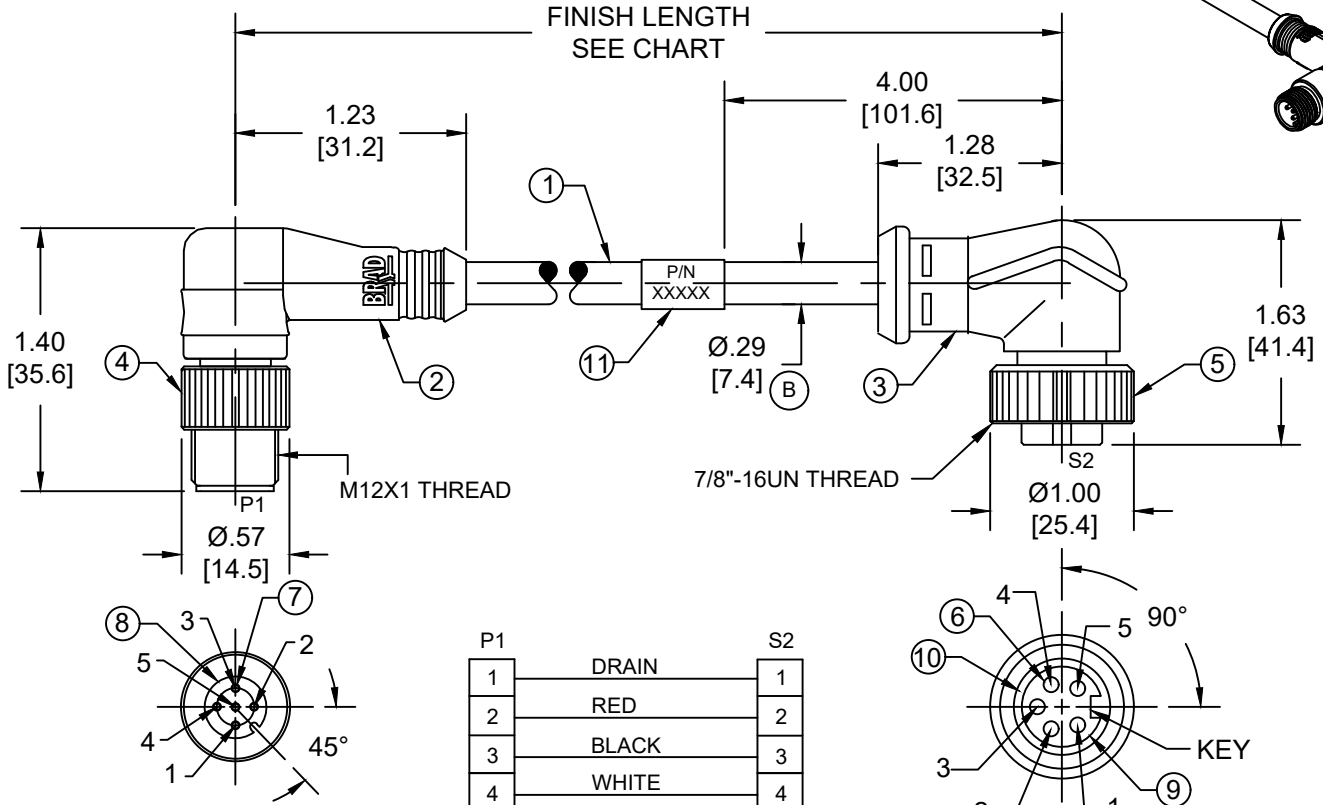


**CABLE LENGTH TOLERANCES**

|                          |                         |
|--------------------------|-------------------------|
| <.3M [1FT]:              | +19mm-0 [ +.75in-0]     |
| .3 - .9M [1 - 3FT]:      | +44.5mm-0 [+1.75in-0]   |
| .9 - 1.8M [3 - 6FT]:     | +55.6mm-0 [+2.19in-0]   |
| 1.8 - 3.7M [6 - 12FT]:   | +88.9mm-0 [+3.50in-0]   |
| 3.7 - 7.3M [12 - 24FT]:  | +165.1mm-0 [+6.50in-0]  |
| 7.3-14.6M [24 - 48FT]:   | +317.5mm-0 [+12.50in-0] |
| 14.6 - 30.5M [48-100FT]: | +622.3mm-0 [+24.50in-0] |
| OVER 30M [100FT]         | +2% OF FINISHED LENGTH  |

**NOTES:**

- MATERIAL: SEE TABLE
- FINISH: SEE TABLE
- ELECTRICAL:  
VOLTAGE: 250V  
CURRENT: 4A
- TEMP RATING: -20°C TO +80°C
- PROTECTION: IP67 (WHEN MATED)
- UL LISTED FILE: E152210  
CSA CERTIFIED FILE: LR6837
- ALL DIMENSIONS ARE FOR REFERENCE UNLESS TOLERANCED OR NOTED OTHERWISE



**WIRING DIAGRAM**

| P1 |       | S2 |
|----|-------|----|
| 1  | DRAIN | 1  |
| 2  | RED   | 2  |
| 3  | BLACK | 3  |
| 4  | WHITE | 4  |
| 5  | BLUE  | 5  |

**MALE FACE VIEW**

**FEMALE FACE VIEW**

| 11   | WRAP LABEL           | VINYL         | BLACK/YELLOW     |
|------|----------------------|---------------|------------------|
| 10   | FRICTION RING        | NYLON         | WHITE            |
| 9    | FEMALE INSERT(MINI)  | TPE           | BLACK            |
| 8    | MALE INSERT(MICRO)   | NYLON         | BLACK            |
| 7    | PIN CONTACT          | COPPER ALLOY  | GOLD OVER NICKEL |
| 6    | SOCKET CONTACT       | COPPER ALLOY  | GOLD OVER NICKEL |
| 5    | COUPLING NUT(MINI)   | ZINC DIE-CAST | BLACK E-COAT     |
| 4    | COUPLING NUT(MICRO)  | ZINC DIE-CAST | BLACK E-COAT     |
| 3    | OVERMOLD(MINI)       | TPC           | GRAY             |
| 2    | OVERMOLD(MICRO)      | TPC           | GRAY             |
| 1    | DEVICENET DROP CABLE | PVC JACKET    | GRAY             |
| ITEM | COMPONENT            | MATERIAL      | FINISH           |

|  |  |  |  |  |       |  |  |  |  |   |  |         |  |           |  |                 |  |          |  |              |  |
|--|--|--|--|--|-------|--|--|--|--|---|--|---------|--|-----------|--|-----------------|--|----------|--|--------------|--|
| FUNCTIONAL SYMBOLS                                   |  |  |  |  |       |  |  |  |  | THIS DRAWING CONTAINS INFORMATION THAT IS PROPRIETARY TO MOLEX ELECTRONIC TECHNOLOGIES, LLC AND SHOULD NOT BE USED WITHOUT WRITTEN PERMISSION |  |         |  |           |  |                 |  |          |  |              |  |
| DIMENSION UNITS                                      |  |  |  |  | SCALE |  |  |  |  | CURRENT REV DESC: ITEM-2, 3 & 9 WERE PVC. ADDED ITEM-10, TOL CHART, PN LEGEND, UL, CSA AND CABLE DIA. MODIFIED PN CHART                       |  |         |  |           |  |                 |  |          |  |              |  |
| INCH/MM  |  |  |  |  | NTS   |  |  |  |  |   |  |         |  |           |  |                 |  |          |  |              |  |
| GENERAL TOLERANCES (UNLESS SPECIFIED)                |  |  |  |  |       |  |  |  |  | EC NO: 720800   |  |         |  |           |  |                 |  |          |  |              |  |
| 4 PLACES ±----                                       |  |  |  |  | ±---- |  |  |  |  | DRWN: ABENJAMINLW 2022/07/28  |  |         |  |           |  |                 |  |          |  |              |  |
| 3 PLACES ±----                                       |  |  |  |  | ±---- |  |  |  |  | CHK'D: RSTONE 2022/09/09  |  |         |  |           |  |                 |  |          |  |              |  |
| 2 PLACES ±----                                       |  |  |  |  | ±---- |  |  |  |  | APPR: BWOODMAN 2022/09/09   |  |         |  |           |  |                 |  |          |  |              |  |
| 1 PLACE ±----  |  |  |  |  | ±---- |  |  |  |  | INITIAL REVISION:   |  |         |  |           |  |                 |  |          |  |              |  |
| 0 PLACES ±----                                       |  |  |  |  | ±---- |  |  |  |  | DRWN: TWOLDEGE 2010/01/11   |  |         |  |           |  |                 |  |          |  |              |  |
| ANGULAR TOL ± ---- °                                 |  |  |  |  |       |  |  |  |  | APPR: JFMURPHY 2010/01/20   |  |         |  |           |  |                 |  |          |  |              |  |
| DRAFT WHERE APPLICABLE MUST REMAIN WITHIN DIMENSIONS |  |  |  |  |       |  |  |  |  | THIRD ANGLE PROJECTION  |  | DRAWING |  | SERIES    |  | MATERIAL NUMBER |  | CUSTOMER |  | SHEET NUMBER |  |
|  |  |  |  |  |       |  |  |  |  | A-SIZE  |  | 130039  |  | SEE CHART |  | GENERAL MARKET  |  | 1 OF 1   |  |              |  |

**molex**

MINI-MICRO CHANGE DEVICENET, A-SIZE-M12,  
5 POLE, FEMALE 90DEG - MALE 90DEG,  
SINGLE KEY, #22/4 AWG

PRODUCT CUSTOMER DRAWING

|                 |          |          |          |
|-----------------|----------|----------|----------|
| DOCUMENT NUMBER | DOC TYPE | DOC PART | REVISION |
| SD-130039-025   | PSD      | 001      | B        |

|                 |    |              |            |          |
|-----------------|----|--------------|------------|----------|
| DOCUMENT STATUS | P1 | RELEASE DATE | 2022/09/09 | 18:08:09 |
|-----------------|----|--------------|------------|----------|