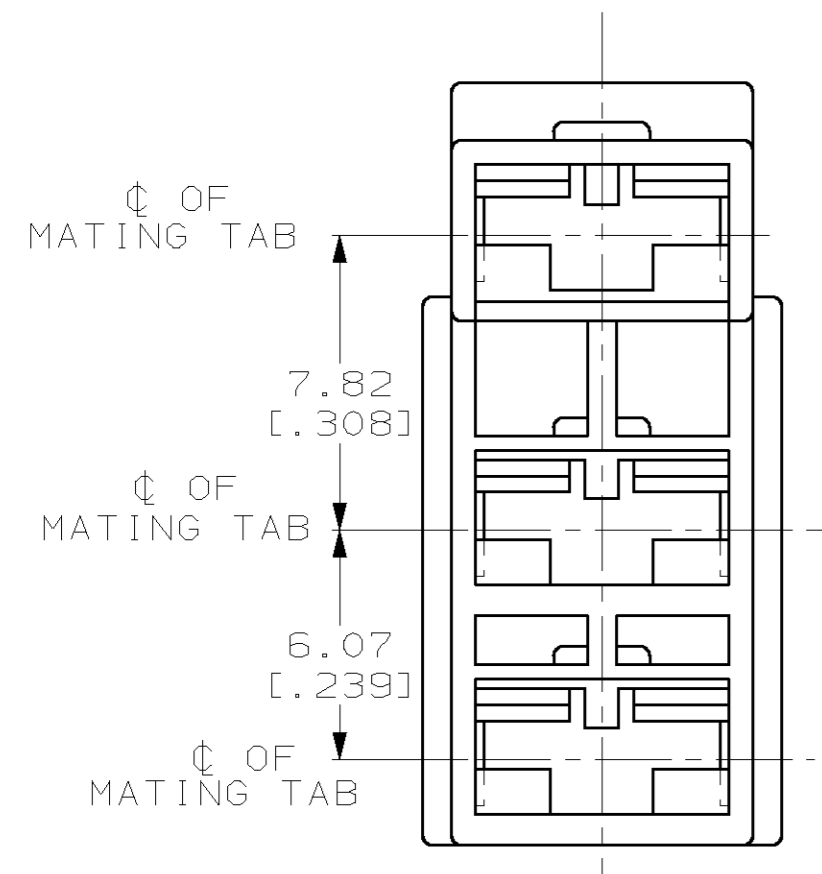
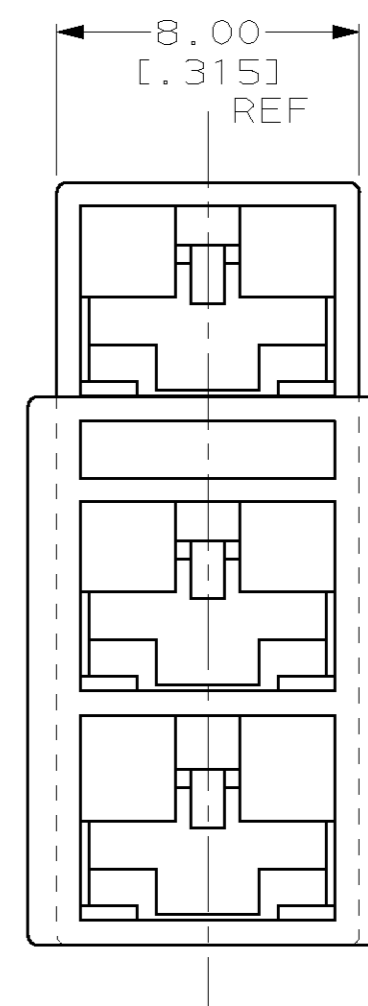
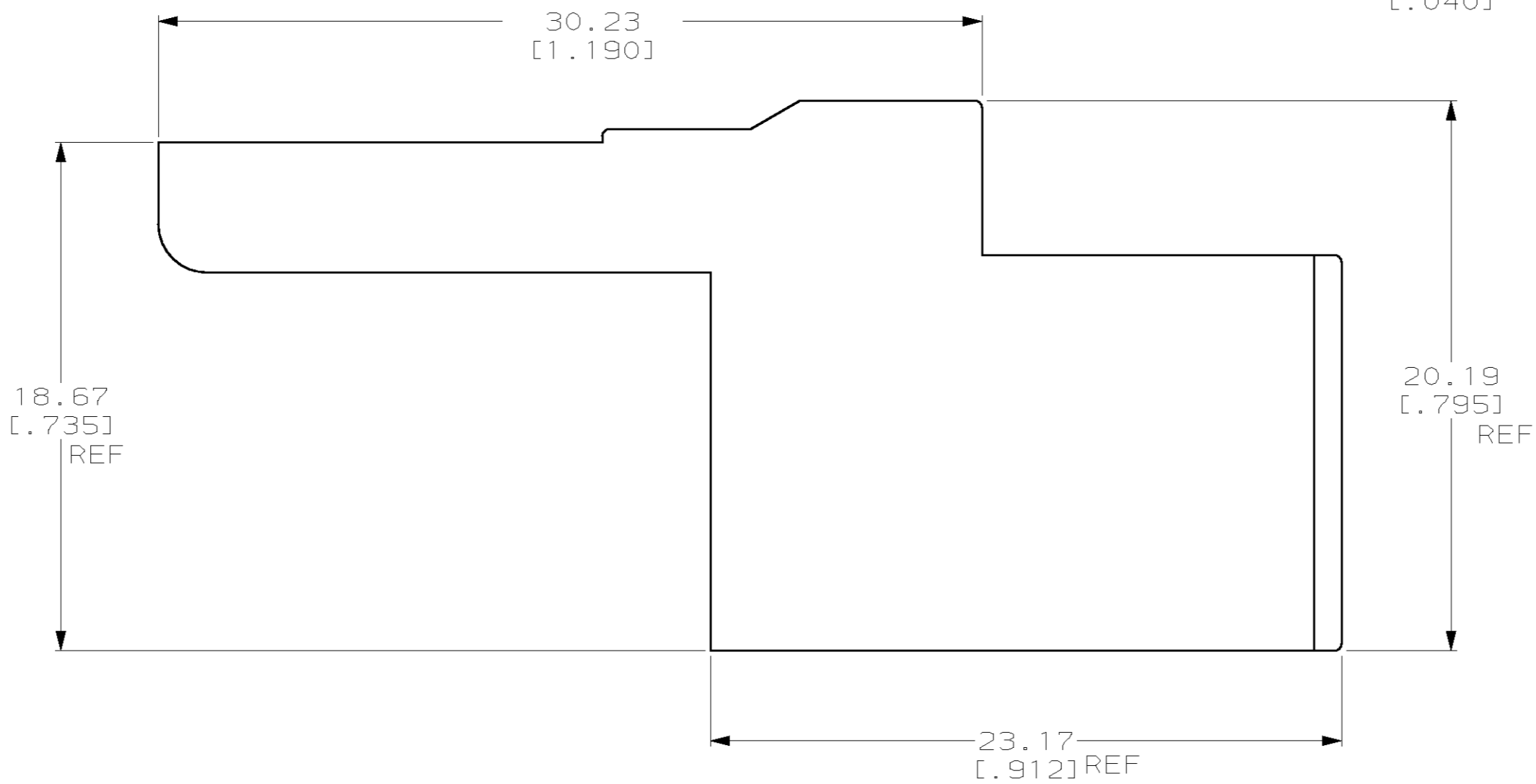
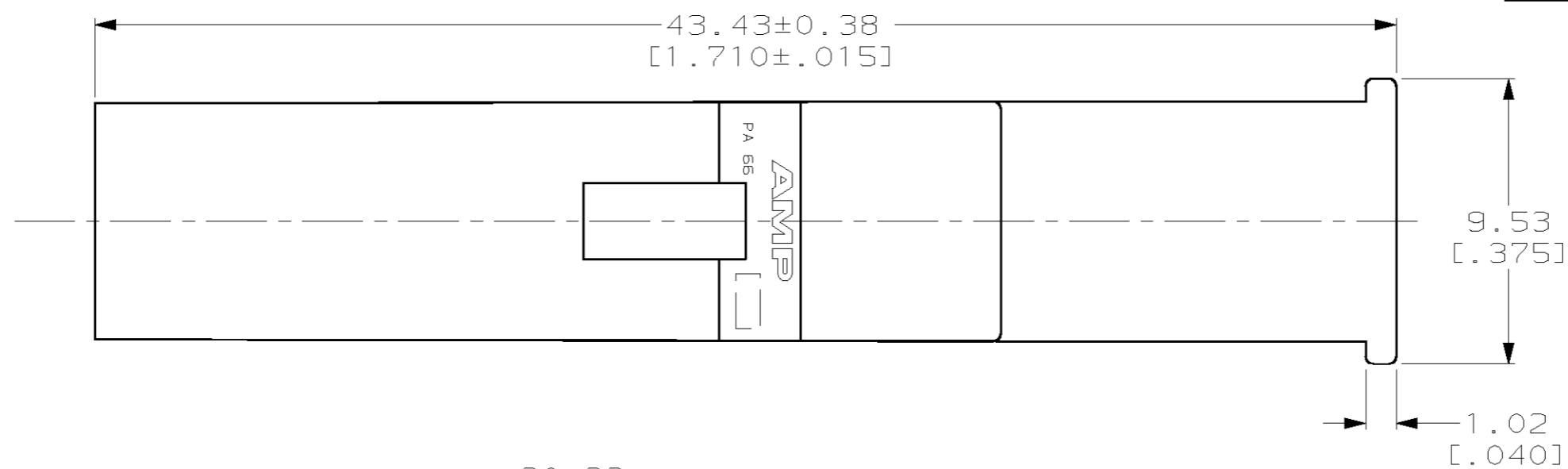


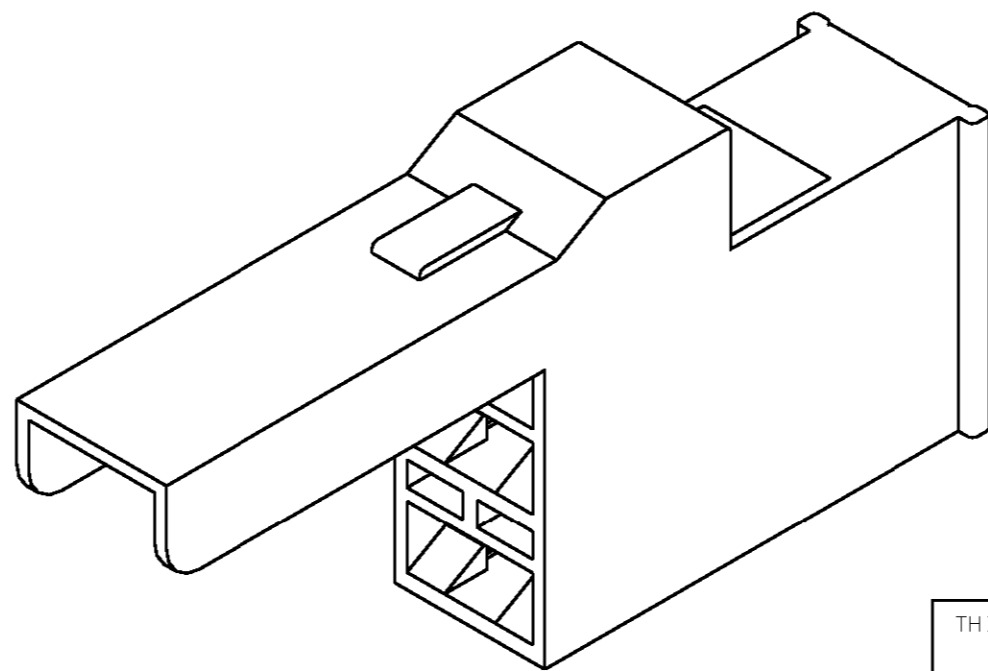
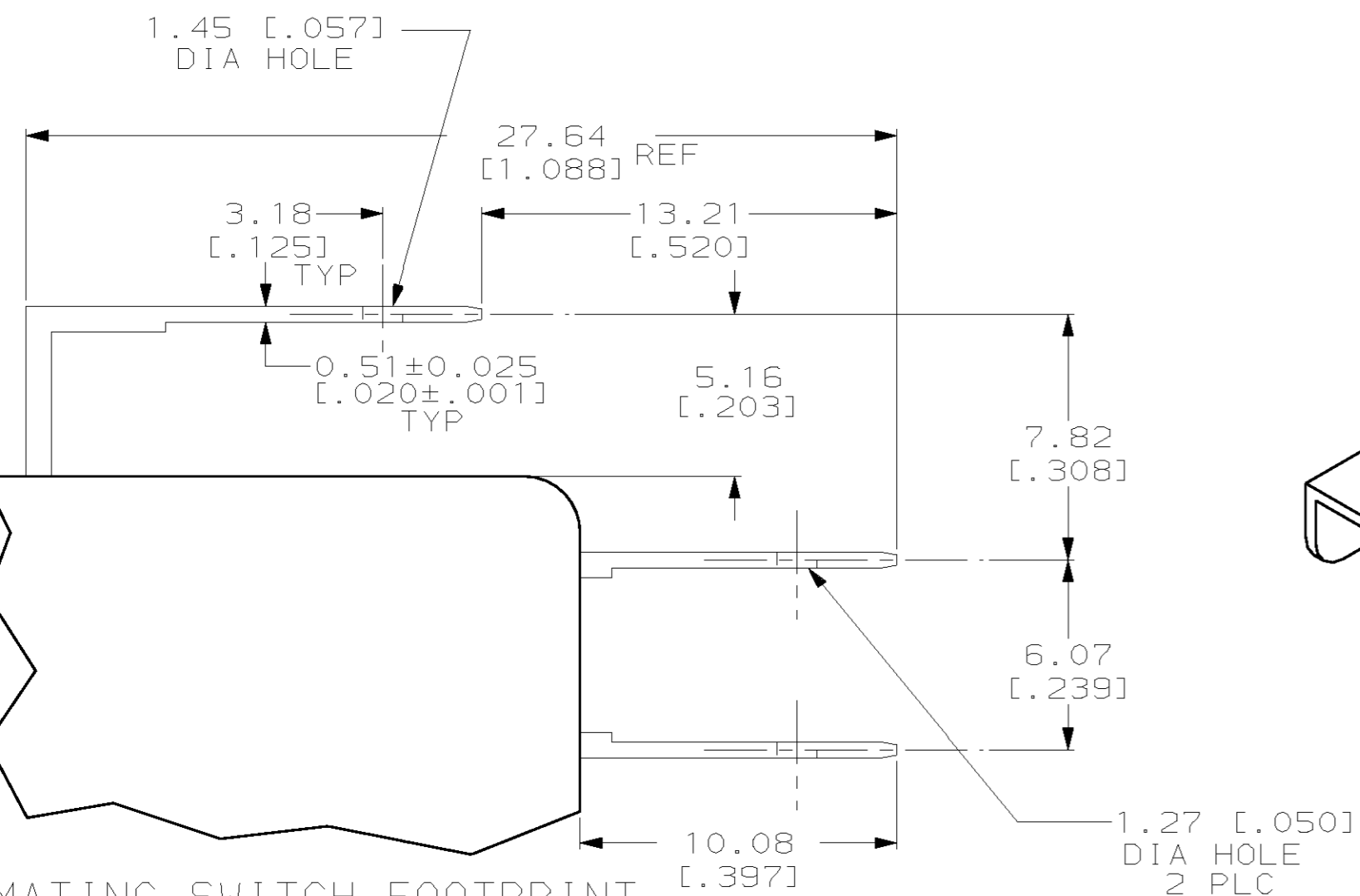
THIS DRAWING IS UNPUBLISHED. RELEASED FOR PUBLICATION .19
 © COPYRIGHT 19 BY AMP INCORPORATED. ALL RIGHTS RESERVED.

LOC AF DIST 50

REVISIONS				DATE	DWN	APVD
P	LTR	DESCRIPTION				
A		REL PER 063A-0098-99	13AUG99	JR	EH	



1 ACCEPTS TERMINAL P/N'S 1217113 & 1217114.



3D VIEW

MATING SWITCH FOOTPRINT
 ALL SWITCH DIM'S ±0.13 [.005]

1.27 [.050] DIA HOLE
 2 PLC

THIS DRAWING IS A CONTROLLED DOCUMENT.

DIMENSIONS: MM (INCHES)	TOLERANCES UNLESS OTHERWISE SPECIFIED:
	0 PLC ±-
	1 PLC ±-
	2 PLC ±0.25 [.010]
	3 PLC ±-
	4 PLC ±-
	ANGLES ±-
MATERIAL 6/6 NYLON UL94V2	FINISH NATURAL

DWN JR RUTH 22MAR99	CHK MS FEHER 22MAR99	APVD E HOWARD 22MAR99
PRODUCT SPEC	APPLICATION SPEC	WEIGHT -
CUSTOMER DRAWING		

RED	521198-2
NATURAL	521198-1
COLOR	PART NO.
AMP Incorporated Harrisburg, PA 17105-3608	
HOUSING, RECEPT, POSI-LOCK, MK III, 4.75 [.187] SERIES	
SIZE A2	CAGE CODE 00779
DRAWING NO. 521198	RESTRICTED TO -
SCALE 5:1	SHEET 1 OF 1
REV A	