

Datasheet

BISMS02BI

Version 2.4

REVISION HISTORY

Version	Date	Notes	Approver
2.0	12 March 2013	Converted to Laird Formatting.	Jonathan Kaye
2.1	31 October 2013	Updated max. slave connections.	Jonathan Kaye
2.2	16 Jan 2014	Changed document name from User Guide to Hardware Integration Guide.	Jonathan Kaye
2.3	20 Sept 2016	Updated to new template. Converted HIG to Datasheet. Updated EU Declaration of Conformity.	Sue White
2.4	25 May 2017	Updated DoC for RED standards	Jonathan Kaye

CONTENTS

1	General Description.....	5
1.1	Applications.....	5
2	Specifications.....	6
3	Functional Block Diagram.....	7
3.1	Connection Diagram.....	7
3.2	Pin Descriptions.....	8
3.3	Electrical Specifications.....	9
4	I/O Characteristics.....	11
4.1	Power Consumption.....	11
5	DC Characteristics.....	11
5.1	RF Performance.....	11
5.2	Range.....	12
6	Functional Description.....	12
6.1	Interfaces.....	12
6.1.1	UART Interface.....	12
6.1.2	GPIO Port.....	13
6.1.3	PCM CODEC Interface.....	13
6.1.4	ADC.....	14
6.1.5	LEDs.....	14
7	Integrated Firmware.....	14
7.1	General.....	14
7.2	Profiles.....	14
7.3	AT Overview.....	15
7.4	Multipoint Firmware.....	17
7.5	OTA (Over the Air) Configuration.....	17
7.6	Boot modes.....	17
8	Low Power Modes.....	17
8.1	Low Power Modes using Sniff.....	18
9	Application Examples.....	19
9.1	RS232 Modem Signals.....	19
9.2	Modem signaling over Bluetooth.....	20
9.3	Pure Cable Replacement Mode.....	21

9.4	Audio Cable (Voice)	22
9.5	Modem Control and Status Signals	22
10	Application Information	22
10.1	Antenna Position	22
10.2	External Antenna Module	23
10.3	Power Supply Considerations	23
10.4	Power-On-Reset	23
10.5	RF Shield	23
10.6	Mounting the Module onto the application platform.....	24
11	Qualification	25
11.1	Bluetooth Qualification Process	25
11.2	Safety Information:.....	25
11.3	Qualifications.....	25
11.4	Safety and Regulatory Statements	26
11.4.1	Europe – EU Declaration of Conformity	26
11.4.2	FCC and Industry Canada Statements	26
12	Environmental	27
12.1	Operating Temperatures	27
12.2	Storage Temperatures.....	27
12.3	Reliability	27
13	Physical Dimensions (all dimensions in mm).....	28
13.1	Top View	28
13.2	Bottom View	28
13.3	Side View	29
13.4	Ordering Information	29
14	Related Documents	29
15	Disclaimers.....	30
15.1	Data Sheet Status	30
15.2	Warranty.....	30

1 GENERAL DESCRIPTION

Laird's Embedded Intelligent Bluetooth Serial Module is a fully integrated and qualified Class 1 Bluetooth solution designed for lowest cost of integration and ownership for designers who wish to include Bluetooth functionality in their products. The module is qualified to Bluetooth Version 2.0.



The Embedded Intelligent Bluetooth Serial Module is designed to give a rugged solution that is ideal for industrial automation and ruggedised handheld devices. It works over a wide temperature range of -40°C to $+85^{\circ}\text{C}$. The physical form of the module allows designers to mount the antenna section of the module outside a screened enclosure.

The Embedded Intelligent Serial Module is based on Cambridge Silicon Radio's BlueCore4 chipset. The module contains all of the hardware and firmware for a complete Bluetooth solution, requiring no further components. The module has an integrated high-performance antenna which is matched with the Bluetooth RF and baseband circuitry. The firmware integrated into the module implements the higher layer Bluetooth protocol stack, up to and including the Generic Access Profile (GAP), Service Discovery Profile (SDAP), Serial Port Profile (SPP) and Audio Gateway. A virtual processor within the BC04 implements an AT command processor. This interfaces with the host system over a straight forward serial port using an extensive range of AT commands. The AT command set abstracts the Bluetooth protocol from the host application, saving many months of programming and integration time. It provides extremely short integration times for data oriented cable replacement and voice applications. A low cost development system and integrated RS232 products with the same firmware are available for fast product evaluation and development.

An alternative version of firmware is available that provides support for multi-point applications. The module can be configured so that it can be attached to a 'dumb' terminal or attached to a PC or PDA for cable replacement applications. In addition to the Bluetooth functionality, The Embedded Intelligent Serial Module provides access to 6 General I/O lines and one ADC input. These can be configured to extend the UART control or to provide connection to simple devices such as switches or LEDs without requiring any external processing. The GPIO lines can be accessed either via the wired host UART connection, or remotely over the Bluetooth link. Support is also provided for a PCM connection to an external audio codec.

The Embedded Intelligent Bluetooth Module is supplied in a small form factor PCB (17.7 mm x 46.0 mm x 5.0 mm), that solders directly. The module includes a high sensitivity, high gain antenna which provides excellent range. Typical open field performance provides ranges of over 250 metres at transmit powers of 4 mW.

Support for low power modes makes the Embedded Intelligent Bluetooth Module particularly applicable to battery powered installations. The Embedded Intelligent Bluetooth Module is Lead-free and RoHS compliant and supports an industrial operating temperature range of -40°C to $+85^{\circ}\text{C}$.

1.1 Applications

- POS Equipment
- Automotive Applications
- Industrial Automation
- Telematics
- Vending Equipment
- Medical

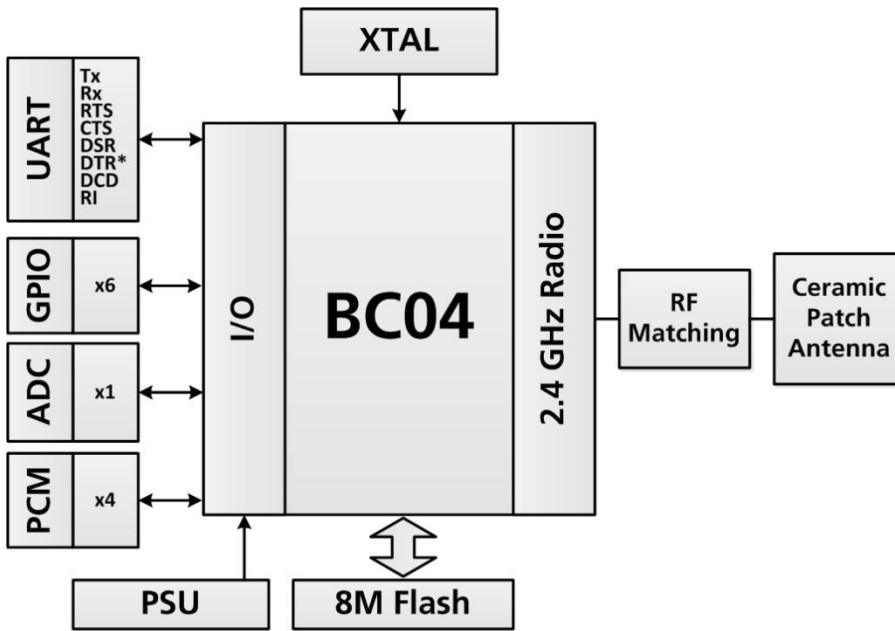
Bluetooth is a trademark owned by Bluetooth SIG, Inc., USA, and is licensed to Laird Technologies.

2 SPECIFICATIONS

Table 1: Module specifications

Feature	Implementation
Bluetooth Transmission	Class 1
Fully Bluetooth pre-qualified	Bluetooth 2.0
Range	250 metres typical (free space)
Frequency	2.400 – 2.485 GHz
Max Transmit Power	+6 dBm
Min Transmit Power	-27 dBm
Receive Sensitivity	Better than -86 dB
Data Transfer rate	Up to 300 Kbps over UART.
Serial Interface	RS-232 bi-directional for commands and data using AT commands
Serial parameters	Default 9600,n,8,1 - Configurable from 1,200 bps to 961,200 bps. 7 bit firmware is available – please contact Laird Support for DTR, DSR, DCD, RI, RTS, CTS
Physical size	17.7 mm x 46.0 mm x 5.0 mm, 8 g
Current consumption	Less than 36 mA during data transfer in standard power mode. Lower power use is possible with a configurable low power mode.
Low power sniff mode	2.5mA typical
Temperature Range	Normal operation: -40° C to +85° C
Supply Voltage	3.3 V – 7.0 V
Interface Levels	3.0 V Logic
Audio	Audio can be transferred over SCO channels through the PCM interface at 64 kbps. PCM can be configured as master or slave. Support for dual slave PCM connections.
Profiles	Server - SPP (Full), DUN, Audio Gateway, Headset, Handsfree Client - All RFCOMM based profiles
Multipoint	Max 3 slaves with multipoint
Field upgradeable	Over UART
Protocols	Single point firmware is controlled and configured using AT Commands. Standard multipoint firmware uses a simple packet based protocol and requires a host to enable the module to function effectively. Single point only allows a point to point connection whereas multipoint allows multiple simultaneous connections.
GPIO	6 x digital (DTR can also be allocated as GPIO) ADC - 1 x 8 bit
Indicators	Pads for 2 programmable LEDs
Lead free	Lead-free and RoHS compliant

3 FUNCTIONAL BLOCK DIAGRAM



*DTR can be configured as a seventh GPIO

Figure1: Block Diagram

3.1 Connection Diagram

The module is connected to a “mother” PCB by direct soldering to edge pads. With the exception of pads 36-38, pads adjacent to the antenna do not provide an electrical connection, but are used for additional mechanical stability.

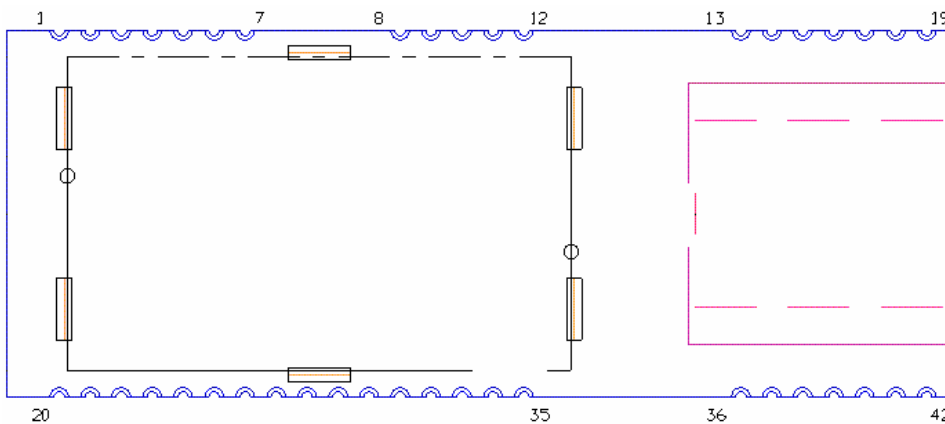


Figure 2: Connection Diagram

3.2 Pin Descriptions

Table 2 defines the pin functions. Refer to the previous section for the pin location.

Table 2: Pin Descriptions

Pin #	Signal	Description	Pin #	Signal	Description
1	VCC		2	USB /RESERVED	Do not connect
3	USB /RESERVED	Do not connect	4	GND	
5	RESET-	Reset I/P *	6	GPIO_6	I/O for Host
7	GPIO_7	I/O for Host	8-19	N/C	Do not Connect
20	GND		21	UART_DCD	I/O for Host
22	UART_RI	I/O for Host	23	UART_RTS	Request to Send O/P
24	UART_RX	Receive Data I/P	25	UART_CTS	Clear to Send I/P
26	UART_TX	Transmit Data O/P	27	UART_DTR (GPIO_3)	I/O for Host
28	UART_DSR	Input	29	GND	
30	PCM_SYNC	PCM Sync I/P	31	PCM_IN	PCM Data I/P
32	PCM_CLK	PCM Clock I/P	33	PCM_OUT	PCM Data O/P
34	GPIO_9 PCM_SLVCLK	I/O for Host (Slave PCM Clock)	35	GPIO_5	I/O for Host (LED2)
36	GPIO_4	I/O for Host (LED1)	37	Analogue_0	ADC
38	GPIO_8	I/O for Host	39-42	N/C	Do not connect

* The reset line has a fixed 10kOhm pull up resistor with the reset being active low.

Notes: PIO lines can be configured through software to be either inputs or outputs with weak or strong pull-ups or pull-downs. At reset, all PIO lines start as inputs with weak pull-downs.

UART_RX, UART_TX, UART_CTS, UART_RTS, UART_RI, UART_DCD and UART_DSR are all 3.0 v level logic. For example, when RX and TX are idle they carry 3.0 V. Conversely, for handshaking pins CTS, RTS, RI, DCD and DSR a 0 v is treated as an assertion.

Pin 22 (UART_RI) is active low. It is normally 3.0 v. When a remote device initiates a connection, this pin goes low. This means that when this pin is converted to RS232 voltage levels it has the correct voltage level for assertion.

Pin 21 (UART_DCD) is active low. It is normally 3.0 v. When a connection is live this pin is low. This means when this pin is converted to RS232 voltage levels it has the correct voltage level for assertion.

Pin 28 (UART_DSR) is an input, with active low logic. It should be connected to the DTR output of the host. When the module is in high speed mode (See definition for S Register 507), this pin should be asserted by the host to ensure that the connection is maintained. A deassertion is taken to mean that the connection should be dropped, or an online command mode is being requested.

The GPIO pins are accessible from S Registers in the range 623 to 629. GPIO4 and 5 are connected to unpopulated LED pads on the module. If these I/O pins are set for input, the LED is driven by the host and appropriate drive current requirements must be satisfied. A Logic 1 switches on the LED.

GPIO3 is shares the pin with DTR output (active low). See S Register 552 & 553. Analogue 0 input should not exceed 1.8 v. Access it via S Register 701.

3.3 Electrical Specifications

3.3.1 Absolute Maximum Ratings

Absolute maximum ratings for supply voltage and voltages on digital and analogue pins of the module are listed below; exceeding these values causes permanent damage.

Table 3: Maximum Voltage Ratings

Parameter	Min	Max
Peak current of power supply	0 mA	100 mA
Voltage at digital pins	-0.3 V	3.3 V
Voltage at POWER pin	3.3 V	7 V

3.3.2 Recommended Operating Parameters

Table 4: Power supply

Signal Name	Pin No	I/O	Voltage level	Comments
Vcc	1	I	3.3 V to 7.0 V	I _{typ} = 30 mA
GND	4, 20, 29			

The module contains a power-on reset circuit that ensures the module is reset when powered. The internal reset circuit is triggered when the input voltage to the module drops below ~1.7 V and is hence only suitable for providing a power on reset signal. If the supply voltage to the module may drop below the minimum voltage level in normal operation, then Laird recommends you provide an external brownout circuit to assert the module reset and ensure that the module is reset when the module supply voltage drops below 3.1V.

This ensures that the module returns to an operational state when the supply voltage comes back within specification. For example, if the module supply can drop to 2.7V and then return to 3.3V there is no guarantee that the module will still operate unless the reset signal is asserted.

3.3.2.1 RS-232 Interface

Signal Name	Pin No	I/O	Signal level	Comments
UART_TX	26	O	VOL _{max} = 0.2 V VOH _{min} = 2.8 V	
UART_RX	24	I	VIL _{max} = 0.8 V VIH _{min} = 2.1 V VIH _{max} = 3.4 V	
UART_CTS	25	I	VIL _{max} = 0.8 V VIH _{min} = 2.1 V VIH _{max} = 3.4 V	
UART_RTS	23	O	VOL _{max} = 0.2 V VOH _{min} = 2.8 V	
UART_DSR	28	I	VIL _{max} = 0.8 V VIH _{min} = 2.1 V VIH _{max} = 3.4 V	
UART_DTR	27	O	VOL _{max} = 0.2 V	Shared with GPIO_3

Signal Name	Pin No	I/O	Signal level	Comments
VOHmin = 2.8 V				
UART_RI	22	I or O	O/P: VOLmax = 0.2 V VOHmin = 2.8 V I/P: VILmax = 0.8 V VIHmin = 2.1 V	Direction may be programmed.

UART_RX, UART_TX, UART_CTS, UART_RTS, UART_RI, UART_DCD and UART_DSR are all 3.0 V level logic. For example, when RX and TX are idle they carry a nominal 3.0 V. Conversely for handshaking pins CTS, RTS, RI, DCD and DSR a 0 V is treated as an assertion.

3.3.2.2 General Purpose I/O and ADC

Signal Name	Pin No	I/O	Signal level	Comments
GPIO 4, 5, 6, 7, 8, 9	36, 35, 6, 7, 38, 34	I or O	O/P : VOLmax = 0.2 V VOHmin = 2.8 V I/P : VILmax = 0.8 V VIHmin = 2.1 V VIHmax = 3.4 V	GPIO_4 and 5 are shared with the onboard LED pads. GPIO_9 is also used for PCM_SLVCLK.
GPIO 3	27	I or O	O/P : VOLmax = 0.2 V VOHmin = 2.8 V I/P : VILmax = 0.8 V VIHmin = 2.1 V VIHmax = 3.4 V	Shared with DTR
ADC 0	37	I	Range 0 – 1.8 V	ADC

PIO lines can be configured through software to be either inputs or outputs with weak or strong pull-ups or pull-downs. At reset, all PIO lines are configured as inputs with weak pull-downs.

3.3.2.3 PCM Interface

Signal Name	Pin No	I/O	Signal Level	Comments
PCM_CLK	32	I or O	O/P : VOLmax = 0.2 V VOHmin = 2.8 V I/P : VILmax = 0.8 V VIHmin = 2.1 V VIHmax = 3.4 V	If unused keep pins open
PCM_IN	31	I	VILmax = 0.8 V VIHmin = 2.1 V VIHmax = 3.4 V	
PCM_SYNC	30	I or O	O/P : VOLmax = 0.2 V VOHmin = 2.8 V I/P : VILmax = 0.8 V VIHmin = 2.1 V VIHmax = 3.4 V	
PCM_OUT	33	O	VOLmax = 0.2 V VOHmin = 2.8 V	

PCM_SLV_CLK	O	O/P : VOLmax=0.2 V	Available as a clock when two connected devices are both in PCM
-------------	---	--------------------	---

3.3.2.4 Miscellaneous

Function	Signal Name	Pin No	I/O	Signal level	Comments
Reserved	USB D-	3	I	VILmax =0.3 V _{DD_usb} VIHmin =0.7 V _{DD_usb}	Normally inactive. Pull to GND through 10K
Reserved	USB D+	2	I	VILmax =0.3 V _{DD_usb} VIHmin =0.7 V _{DD_usb}	Normally inactive. Pull to GND through 10K
Reset	RESET	5	I	Threshold 2.6 V	Active LOW

Terminology - USB Signal Levels: V_{DD_usb} refers to the internal voltage generated by the LDO regulator on the module, which is typically 3.1 V. Hence 0.3 V_{DD_usb} and 0.7 V_{DD_usb} correspond to 0.9 V to 2.1 V. If V_{cc} falls below the recommended minimum of 3.3 V, USB operation may fail.

The USB lines cannot be accessed when using AT firmware.

4 I/O CHARACTERISTICS

4.1 Power Consumption

The current drain from the V_{cc} power input line is dependent on various factors. The three most significant factors are the voltage level at V_{cc}, UART baud rate and the operating mode.

The hardware specification for the module allows for a voltage range of 3.3 to 7.0 at V_{cc}. Tests show that where power drain is an issue, it is best to keep V_{cc} at the lower end of the range.

The UART baud rate affects power drain because power requirements increase linearly with rising clock frequencies. Higher baud rates result in higher current drain.

With regards to operating mode, the significant modes are idle, waiting for a connection, inquiring, initiating a connection, sniff and connected. With connected mode, it is also relevant to differentiate between no data being transferred and when data is being transferred at the maximum rate possible. The AT command set manual describes how to configure the module for optimal power performance.

5 DC CHARACTERISTICS

5.1 RF Performance

5.1.1 Transmit Power

Conducted Transmit Power	min: 1.0 mW (0 dBm)	max: 4 mW (6 dBm)
Effective Transmit Power	min: 0 dBm	Max: +6 dBm

5.1.2 Receive Sensitivity

Receive Sensitivity	-86 dBm (at 25° C)
Antenna Gain	+2 dBi typ
Effective Receive Sensitivity	-88 dBm (at 25° C)

5.2 Range

Range is determined by the environment and the orientation of the module.

The data throughput of the module is limited to 300 Kbps by the parsing of the data being transferred through the RFCOMM stack.

6 FUNCTIONAL DESCRIPTION

The Embedded Intelligent Bluetooth module is a self-contained Bluetooth product and requires only power to implement full Bluetooth communication. The integrated, high performance antenna together with the RF and Base-band circuitry provides the Bluetooth wireless link and the UART interface provides a connection to the host system.

The variety of interfaces and the AT command set allow the Embedded Intelligent Bluetooth Module to be used for a wide number of short range wireless applications, from simple cable replacement to complex multipoint applications, where multiple radio links are active at the same time.

The complexity and flexibility of configuration are made simple for the design engineer by the integration of an extremely comprehensive set of AT commands, supplemented with a range of “S” registers which are used for non-volatile storage of system parameters. These are fully documented in the “BluZi AT Command Reference Manual”.

6.1 Interfaces

6.1.1 UART Interface

UART_TX, UART_RX, UART_RTS and UART_CTS form a conventional asynchronous serial data port with handshaking. The interface is designed to operate correctly when connected to other UART devices such as the 16550A. The signalling levels are nominal 0 V and 3.0 V and are inverted with respect to the signalling on an RS232 cable. The interface is programmable over a variety of baud rates, and parity may be set to none, even or odd. The default condition on power-up is pre-assigned in the external Flash. Two-way hardware flow control is implemented by UART_RTS and UART_CTS. UART_RTS is an output and is active low. UART_CTS is an input and is active low. These signals operate according to normal industry convention.

By writing different values to the relevant S register the UART_RI can be continuously polled to detect incoming communication. The UART_RI signal serves to indicate incoming calls.

UART_DSR is an active low input. It should be connected to DTR output of the host. When the module is running in high speed mode (See definition for S Reg 507), this pin should be asserted by the host to ensure connection is maintained. A de-assertion indicates the connection should be dropped, or an online command mode is being requested.

The module communicates with the customer application using the following signals:

RS-232

Port /TXD @ application sends data to the module's UART_RX signal line

Port /RXD @ application receives data from the module's UART_TX signal line

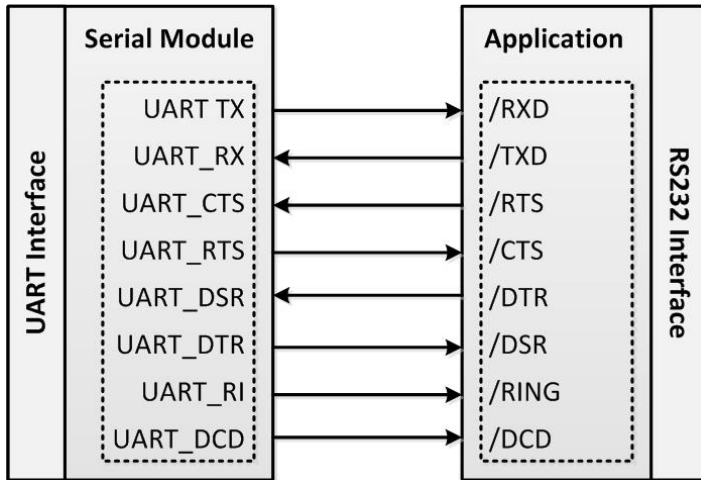


Figure 3: UART Interfaces

Note: The serial module output is at 3.0 V CMOS logic levels. Level conversion must be added to interface with an RS-232 level compliant interface.

6.1.2 GPIO Port

Eight lines of programmable bi-directional input/outputs (I/O) are provided that can be accessed either via the UART port, or Over The Air (OTA) from a second Bluetooth unit. These can be used as data inputs or to control external equipment. By using these in OTA mode, an embedded Bluetooth Serial module can be used for control and data acquisition without the need for any additional host processor. A further line can be used as an input.

Each GPIO port can be independently configured as either an Input or Output. A selection of ports can be accessed synchronously.

The ports are powered from VCC. The mode of these lines can be configured and the lines are accessed via S Registers in the range 623 to 629.

Low latency I/O can be accessed by using Laird's I/O via an enhanced inquiry process.

6.1.3 PCM CODEC Interface

PCM_OUT, PCM_IN, PCM_CLK and PCM_SYNC carry up to three bi-directional channels of voice data, each at 8ksamples/s. The format of the PCM samples may be 8-bit A-law, 8-bit μ -law, 13-bit linear or 16-bit linear. The PCM_CLK and PCM_SYNC terminals can be configured as inputs or outputs, depending on whether the module is the Master or Slave of the PCM interface.

In applications where the PCM master cannot supply a clock signal, the module can be configured to generate a clock signal on this GPIO: PCM_SLVCLK. Please contact a Laird FAE for further details.

The module is compatible with the Motorola SSI TM interface and interfaces directly to PCM audio devices including those covered in Compatible Codec Chips.

6.1.3.1 Compatible Codec Chips

PCM_OUT, PCM_IN, PCM_CLK and PCM_SYNC carry up to three bi-directional channels of voice data, each at 8ksamples/s. The format of the PCM samples can be 8-bit A-law, 8-bit μ -law, 13-bit linear or 16-bit linear. The PCM_CLK and PCM_SYNC terminals can be configured as inputs or outputs, depending on whether the module is the Master or Slave of the PCM interface. Please contact a Laird FAE for further details.

The module is compatible with the Motorola SSI™ interface and interfaces directly to PCM audio devices including the following:

- Winbond W61360 13-bit linear CODEC (Motorola MC145483 compatible)
- OKI MSM7702 single channel A-law and μ -law CODEC
- OKI MSM7705 four channel A-law and μ -law CODEC The default codec support is for the Winbond W61360

Codec development boards that mate with the Laird Wireless Developers Kit are available for each of the three codecs listed above.

6.1.4 ADC

The module provides access to one 8-bit ADC. This provides an input range of 0 mV to 1,800 mV, which can be read using S register 701.

Suitable external scaling and over-voltage protection should be incorporated in your design. The module provides 5 samples per second at the UART with a baud rate of 115,200 or above.

Low latency access of the upper 6 bits of the ADCs can be obtained by using Laird's I/O via an enhanced inquiry process.

6.1.5 LEDs

Pads are provided to allow two LEDs to be added for diagnostic purposes. They are controlled by S registers 624 and 625 to display the status of various parameters and are useful for debug and test.

7 INTEGRATED FIRMWARE

7.1 General

The Embedded Intelligent Serial Module is designed to provide the fastest route to market for designers who wish to include Bluetooth wireless in their products. To achieve this Laird has implemented a wide-ranging set of AT commands that control all of the standard Bluetooth tasks. These remove the complexity of Bluetooth from the design engineer and allow the wireless link control via a simple set of commands.

For applications where multiple concurrent live connections must be maintained, a variant of firmware is available which is specifically targeted at multipoint operation.

For both applications a comprehensive range of Windows-based software is available to speed up the design process. A low cost development kit is also available for prototyping both cable replacement and multipoint applications.

7.2 Profiles

Bluetooth is designed to accommodate a very wide range of wireless applications. To enable these different applications, the Bluetooth SIG (Special Interest Group) has defined a series of different profiles that define the way in which Bluetooth devices communicate with each other and perform basic functions. These provide a

base line of interoperability for specific application scenarios, upon which more complex user applications can be developed.

There are over 30 different profiles, many of which have been developed for specific applications. The Embedded Intelligent Serial Module firmware is provided with support for the profiles that are most commonly required for cable replacement applications.

The current profiles support includes:

GAP	Generic Access Profile	The base connection profile upon which others are based.
SDP	Service Discovery Profile	The profile to find other Bluetooth devices and the services they support.
SPP	Serial Port Profile	Emulation of a serial cable for cable replacement applications.
DUN	Dial Up Networking	Profile support for connection to an external PSTN, GSM, GPRS or VPN connection.
AG	Audio Gateway	The base element for Headset and Handsfree profile. A portion of these profiles must be implemented within the host system.
HSP	Headset Profile	Supports early implementations of headsets. Now largely replaced by the Hands-Free profile.
HFP	Hands-free profile	Similiar to HSP, but provides more control over the headset operation.
FTP	File Transfer Profile	(full client support).

For other profile support, please contact Laird support at WirelessInfo@lairdtech.com.

7.3 AT Overview

The AT command set is well known by engineers and was developed to aid the integration of PSTN modems. It provides simple high level commands for complex functions that can easily be incorporated into programs or used within programming scripts.

Laird has used this familiar concept and extended it to Bluetooth to simplify the integration of Bluetooth for product designers. Rather than having to understand the many stages of setting up a Bluetooth connection or function, a single AT command is all that is required.

For example, to connect to a Bluetooth device with an address 00809844EA13, send the string "ATD00809844EA13" to the UART of the module. The module attempts to connect and returns:

```
connect 00809844ea13,1101  
or  
NO CARRIER
```

depending on whether the connection was successful.

The Laird AT command set covers nearly all Bluetooth, greatly reducing development time.

To provide additional functionality, a range of S registers allow you to store program settings that control module functions as well as configure and read ports and status registers. Full details of the AT command set are provided in the Blu2i AT Command Reference Manual.

7.3.1 AT Features at a Glance

7.3.1.1 General

- Configure two modules to automatically connect and transfer data, audio or a combination of data and audio when both devices are powered. The peer device does not have to be another Intelligent Serial Module. It is possible to implement auto connect with a Bluetooth-enabled mobile phone.
- Automatically re-connect devices when a connection is dropped.
- Remotely access the AT parser of the remote unit from a master device to perform Over The Air (OTA) configuration.
- Configure the module to enter a state on power up and after a period of time change to another state automatically. This allows units to be placed in the discoverable state for a limited time period.
- Read and write to GPIO lines.
- Read the ADC channel.
- Get fast GPIO and ADC status through an inquiry response (patent pending).

7.3.1.2 UART

- Change the baud rate from 1200 to 921,600.
- Use the DSR line to drop connections.
- Flexible configuration as either DTE or DCE.
- Change the escape sequence character.
- Change the Parity.
- Enable or disable echoes.

7.3.1.3 Security

- Enable Authentication by requiring a PIN code for incoming AND / OR outgoing connections.
- Enable data to be encrypted over the air for incoming AND / OR outgoing connections. The module can be configured to be non-connectable and non-discoverable, non-connectable but discoverable, connectable but non-discoverable, connectable and discoverable.
- Automatically store Paired devices in a trusted device database in the flash memory.

7.3.1.4 Bluetooth

- Set the module to be a master or slave.
- Make a Bluetooth connection to a specified device.
- Perform a full inquiry for other Bluetooth devices.
- Query a remote device to check if a service is offered.
- Fetch the friendly name of a remote device.
- Increase or decrease the delay before the master abandons a connection attempt.
- Change the device class code.
- Set the device's friendly name.
- Change the Inquiry scan time.
- Change number of returned devices from an inquiry scan
- Obtain the RSSI value for a connection.
- Power Management
- Decrease or increase the output power to suit your connection range.
- Configure the modules to work in Sniff and other low power modes.

7.4 Multipoint Firmware

For multipoint operation, the appropriate firmware can be enabled. Whereas the firmware for single point 'AT' communication only allows one connection to be active at any one time, using multipoint firmware allows a number of simultaneous connections to be made and maintained. It also allows connections to multiple profiles to one or more devices. Multipoint firmware should be seen as a concept of channels instead of slave connections.

When operating in Bluetooth multipoint mode, the resources and bandwidth of a Bluetooth master device are shared amongst the different connected devices. This has an impact on the maximum throughput to any one device. If multiple device connections are maintained it also impacts on the memory resources and device database within the Bluetooth stack. Designers should be aware of these restrictions when using multipoint configurations. In most cases better latency and power consumption can be achieved by polling or fast data transfer rather than by maintaining concurrent connections.

In general, multipoint connections are viable for up to three connections, but other connection schemes become appropriate if a greater number of devices are being deployed.

7.5 OTA (Over the Air) Configuration

When the Embedded Intelligent Serial Module has its remote AT parser enabled, its settings can be remotely controlled by a master unit (see register S536). This places the slave unit's AT parser in remote mode, providing over the air configuration. This mode is of use for remote sensor applications, where no host processor is required to control the slave Bluetooth unit.

7.6 Boot modes

The module has the capability of booting into 1 of 4 modes. Currently only Boot Modes 1 and 3 are supported. Boot Mode 1 is default and gives functionality equivalent to the BISM1 and BISM2 module.

Boot Mode 3 changes the PCM configuration for use with OKIcodecs.

These modes specify alternative PSKEY settings to allow for different basic operation. Please contact Laird for further information.

8 LOW POWER MODES

The current drain from the Vcc power input line is dependent on various factors. The three most significant factors are the voltage level at Vcc, UART baud rate and the operating mode.

The hardware specification for the Embedded Intelligent Bluetooth Module allows for a voltage range of 3.3 to 7.0 V at Vcc. Tests have shown that there is no significant difference in current draw when Vcc is 5 or 6 V.

The UART baud rate has a bearing on power drain because as is normal for digital electronics, the power requirements increase linearly with increasing clocking frequencies. Hence higher baud rates result in a higher current drain.

The primary operating modes are idle, waiting for a connection, inquiry, initiating a connection and connected. With connected mode, it is also relevant to differentiate between no data being transferred and when data is being transferred at the maximum rate possible.

The operating mode can best be described by stating the AT commands required to enter that mode. In addition, there are certain S Registers which have a direct impact on power consumption, which are described next.

The Embedded Intelligent Bluetooth Module has provision for an LED which can be configured to display connection status. Tests have shown that this LED can consume up to 5.3 mA which is more than double the current draw when in Idle mode. S Register 534 can completely disable this indicator.

S Registers 508 to 511, which specify the page and inquiry scan intervals and windows, can adjust the average current drain when in discoverable and or connectable modes. Registers 508 and 509 specify the interval and window for page scans. Registers 510 and 511 specify the interval and window for inquiry scans. Register pairs 508/509 and 510/511 describe duty cycles when the module goes into scan modes. The highest current draw occurs while scanning. The average current draw is determined by simple arithmetic using the values stored in the 508/509 and 510/511 register pairs.

The current drain while waiting for a connection or discoverable mode is about 30 times higher than in idle mode. This is when the page/inquiry scan duty cycle is 100%. These modes give the quickest response to a page or inquiry request from a remote peer.

It is possible to reduce the duty cycle down to as low as 0.5% at the expense of response time. The response time can be specified via S Registers 508 and 510 for page and inquiry respectively, where the worst case response time can be as high as 2.5 seconds. Then the duty cycle can be varied by changing the value of S Registers 509 and 511 appropriately.

For example, if S Register 508 and 510 are both set to 1000ms and S Register 509 and 511 are both set to 11 ms then the duty cycle is reduced to 1%. This means the average current drain at 5.0 V is 2% of 65 mA plus the normal idle mode current, as low as 2.75 mA. However, in this case, it can take up to 1 second to establish a connection.

The connected state current consumption while a master or slave can be considerably reduced by enabling Sniff mode, described in detail in the next section.

Current per LED (when fitted)	3.3 V	3.20 mA
	5.0 V	5.30 mA

8.1 Low Power Modes using Sniff

Bluetooth connections are master/slave in nature. A master sends a packet and a slave acknowledges that packet in the next timeslot. Timeslots in Bluetooth are 625 microseconds wide. This implies that a master knows when packets will be sent and received, which further means it may optimise power usage by using power only when needed.

A slave on the other hand does NOT have prior knowledge of when a packet will be received and has to assume that a packet arrives from a master on every receive slot. This means that it has to leave its receiving circuitry on for most of the receive slot duration. The result of this is high power consumption. A slave with no data transmission still consumes around 31 mA, whereas a master consumes only 6 mA.

This problem was identified very early in the evolution of Bluetooth (especially since headsets spend all their time as a slave in a Bluetooth connection) and it was solved by having a mode called Sniff, with appropriate lower layer negotiating protocol.

Sniff mode is basically an agreement between the slave and its master that data packets are only to be exchanged for N timeslots every M slots. The slave can then assume that it will never be contacted during (N-M) slots, and so can disable power-absorbing circuitry. The specification also introduces a third parameter called 'timeout' (T) which specifies 'extra' timeslots during which the slave listens after receiving a valid data packet. Put another way, if the slave receives a data packet it MUST carry on listening for at least T more slots. If within that T slot time period another data packet is received, then the timer is restarted. This mechanism ensures low

power consumption when there is no data transfer at the cost of latency. When there is a lot of data to be transferred, it acts as if sniff mode were not enabled.

During sniff mode, a slave listens for N slots every M slots. The Bluetooth specification states that a master can have up to 7 slaves attached to it with all slaves having requested varying sniff parameters. It may therefore be impossible to guarantee that each slave gets the M parameter it requested. In light of this, the protocol for enabling sniff mode specifies that a requesting peer specify the M parameter as a minimum and maximum value. This allows the master to interleave the sniff modes for all slaves attached (Figure 4).

For this reason, sniff parameters are specified in the Embedded Intelligent Bluetooth Module via four S registers. S Register 561 specifies 'N', S Register 562 specifies 'T' and S Registers 563/564 specify minimum 'M' and maximum 'M' respectively. Although the specification defines these parameters in terms of timeslots, the S register values have to be specified in units of milliseconds and the firmware translates to timeslots.

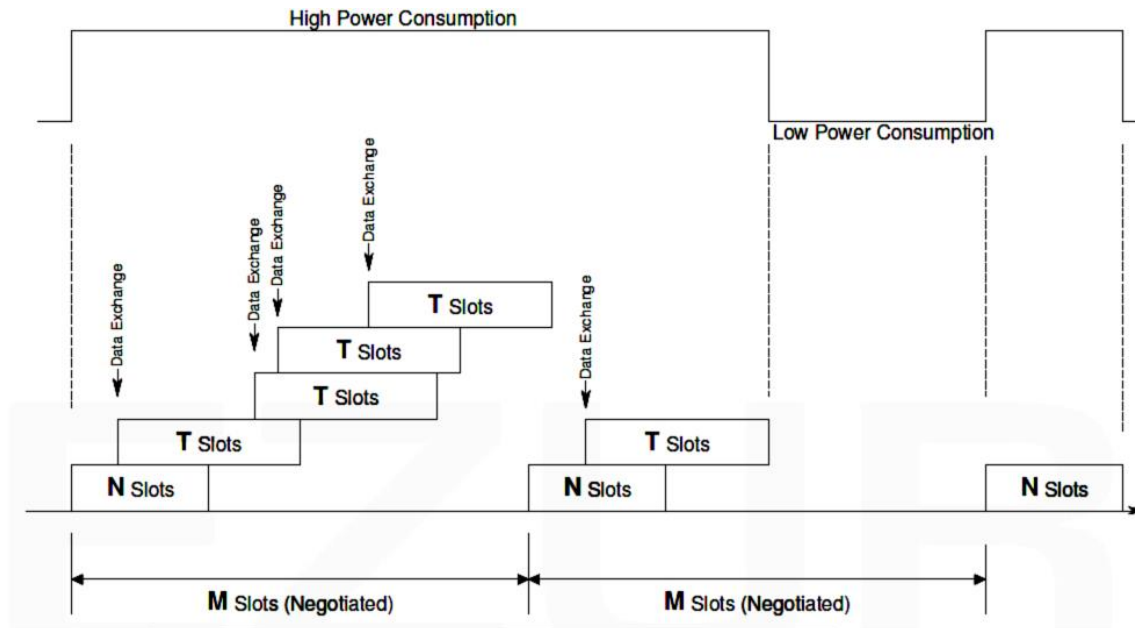


Figure 4: Sniff Mode timing diagram

9 APPLICATION EXAMPLES

9.1 RS232 Modem Signals

As with a telephony modem, the module provides for 6 control and status lines as per Table 5.

Table 5: Control/Status lines and Directionality

Function	Directionality (from module)
CI also known as RI (Ring Indicate)	IN or OUT *
DCD (Data Carrier Detect)	IN or OUT *
DSR (Data Set ready)	IN
DTR (Data Terminal Ready)	OUT
CTS (Clear to Send)	IN
RTS (Request to Send)	OUT

* configurable with S register 552

Table 6: GPIO Pins and Functions

Pin	Direction	Connector Pin Label	Function
27	IN/OUT	GPIO_3/UART_DTR	General Purpose I/O (or DTR functionality)
36	IN/OUT	GPIO_4/LED1	General Purpose I/O (LED1)
35	IN/OUT	GPIO_5/LED2	General Purpose I/O (LED2)
6	IN/OUT	GPIO_6	General Purpose I/O
7	IN/OUT	GPIO_7	General Purpose I/O
38	IN/OUT	GPIO_8	General Purpose I/O
34	IN/OUT	GPIO_9/PCM_SLVCLK	General Purpose I/O (PCM SLAVE CLK)

- Notes:**
1. UART_DSR is used by the module to sense that the host is connected, and is intricately linked with connections. For outgoing calls, if this line is not asserted then an error returns. The same applies to AT+BTP and AT+BTG. While in a call, for appropriate modes, a de-assertion means fall into command state. If the de-assertion exists for longer than the period specified in S Register 519 then the connection is dropped as if an ATH command was received.
 2. UART_RI is normally de-asserted. When an incoming connection is detected it is asserted, until the connection is either answered or rejected using ATA and ATH respectively. See S Registers 552 & 553 for more details.
 3. UART_DCD will be de-asserted when the device is in the unconnected state and asserted when a connection is active. See S Registers 552 and 553 for more details.
 4. GPIO_3 is either used as GPIO or driven as UART_DTR. When the unit is configured in pure host mode, this pin is forced into UART_DTR and is asserted when there is a Bluetooth connection.
 5. GPIO_9 can generate a PCM clock when both connected modules are in slave mode. Contact Laird for more information. The GPIO Pins are available for general purpose use.

9.2 Modem signaling over Bluetooth

The RFCOMM protocol used in Bluetooth for implementing the serial port profile allows the exchange of four modem signals. This information is contained in a special transparent message which contains bits identified as RTR, RTC, DV and IC. Depending on the type of serial device being emulated, these map to DTR or DSR, RTS, DCD and RI respectively. This message also may convey a BREAK input from one end to the other.

To allow for the greatest flexibility and variability in how the modem control signals are used in the real world, S Registers 551, 552 and 553 have been provided which allow for any of RTR, RTC, DV and IC to be mapped to any modem control/status line.

9.2.1 BREAK signal on RX line

If the host sends a break signal of duration greater than 100 ms, then the module is configured to treat that as a hardware reset signal. Therefore, you cannot convey a BREAK over Bluetooth to the peer device.

A continuous low on the RX line is treated as a reset (BREAK). The host should keep RX high while idling.

9.2.2 Reset

The host can reset the module without the need of any I/O using a BREAK signal. The module has been configured to reset when the RX line detects a break condition for durations greater than 100 ms. The Reset line has a fixed pull up resistor of 10k Ohm.

9.3 Pure Cable Replacement Mode

The module may be preset into a pure 5-wire data cable replacement mode. The 5 wires are RX, TX, CTS, RTS and GND. This mode requires no changes to a host application since the Bluetooth connection is automatically set up on power up. If the connection is lost, the Embedded Intelligent Bluetooth Module retries until the connection is reinstated.

By implication, two devices are needed to replace a cable. One device is pre-configured to always be a master and the other a slave.

Assuming the master's Bluetooth address is <bdaddr_m> and the slave's is <bdaddr_s>, the master module is configured by sending it the following AT commands:

```
AT&F* ATS512=1
ATS504=1
ATS507=2
ATS530=2000
AT&W AT+BTR<bdaddr_s>
```

The ATS507=2 setting puts the device in DSR drop mode only. This means that when the device needs to be reconfigured, deasserting the DSR line ensures that the module responds quickly to AT commands. This further means that in standalone mode, the DSR input line MUST be asserted e.g. 0 V in TTL signal mode.

The slave is configured by: AT&F*

```
ATS512=4
ATS0=-1
AT&W AT+BTM<bdaddr_m>
```

Where AT+BTM<bdaddr_m> is optional. If specified, only connections from the specified device are accepted. Otherwise the slave unit accepts connections from any device.

If the slave unit must not be discoverable (the master is by default not discoverable), then the configuration commands are:

```
AT&F* ATS512=3
ATS0=-1
AT&W AT+BTM<bdaddr_m>
```

Where AT+BTM<bdaddr_m> is optional. If specified then only connections from the device specified are accepted. Otherwise the slave unit accepts connections from any device.

When the units are next power cycled, the slave unit waits for the master to connect and the master continually looks for the slave. If a connection attempt fails, the master waits for 2 seconds before reattempting a connection. Change the delay time by issuing an ATS530 command with an appropriate value in the range 100 - 15000 ms.

IMPORTANT: The DSR input to the module MUST be asserted for the auto connection to succeed. When operating at TTL levels a 0 V is seen as an assert state. When operating at RS232 levels and

voltage greater than 3 V is seen as assert. It is usual to connect the DTR line of the host to the DSR line of this device.

9.4 Audio Cable (Voice)

With a pair of BISM modules you may replace a mono audio cable with two way traffic. That is, a setup where a local microphone is connected to a remote speaker and vice versa. This effectively replaces two audio cables.

Assuming the master's Bluetooth address is <bdaddr_m> and the slave's is <bdaddr_s>, configure the master by sending it the following AT commands:

```
AT&F* AT512=1
AT504=1
AT530=2000
AT532=7
AT&W AT+BTR<bdaddr_s>
```

And the slave is configured by: AT&F*

```
AT512=4
AT50=-1
AT&W AT+BTM<bdaddr_m>
```

9.5 Modem Control and Status Signals

A serial port has DTR, DSR, RTS, CTS, DCD and RI control lines. RTS and CTS are locally controlled to prevent local buffer overflow.

The status of DTR, DRS, DCD and RI can be exchanged with the remote peer device. For example, the DTR/DSR lines may be exchanged between the two peers to simulate the performance of a physical cable. Refer to the description for S Registers 551, 552 and 553 for more details.

Some serial implementations link CTS and RTS to remove the need for handshaking. Laird does not recommend linking CTS and RTS other than for testing and prototyping. If these pins are linked and the host sends data at the point that the Bluetooth Serial Module deasserts its RTS signal, there is a significant risk that internal receive buffers could overflow which may lead to an internal processor crash. This may lead to a drop in connection and may require a power cycle to reset the module.

Laird recommends you adhere to the correct CTS/RTS handshaking protocol for proper operation.

10 APPLICATION INFORMATION

10.1 Antenna Position

The antenna used on the Embedded Intelligent Bluetooth module is designed to be largely immune from the effects of proximity detuning. Normally, 2.4 GHz antennas are affected by their surroundings, so that great care is needed in their placement and orientation.

The Embedded Intelligent Serial Module can be used in most locations and orientations and is only marginally affected by the presence of a significant ground plane in close proximity.

The antenna distribution is close to isotropic, which means that the orientation of mounting has only a limited effect on the overall range. However, the optimum range is achieved when the two antennae are directly facing each other.

Do not place the module in a sealed metal enclosure; this acts as a Faraday cage and severely attenuates the radio signal. A distance of 6 mm has been allowed between the metal shield and the antenna to allow the antenna to protrude through a slot in a metal enclosure.

10.2 External Antenna Module

The dimensions for this module are identical to the Surface Mount Module, but the antenna is replaced with a U.FL connector.

The module is certified for use with the Laird external antenna ACC-008. If another antenna is connected, the RF and Bluetooth approvals for the module are invalid.

The antenna connector is a U.FL connector, supplied by Hirose. Mating connectors with cables are available from Hirose and their distributors, and also from other cable suppliers. The data sheet for the connector series is available at http://www.hirose.co.jp/cataloge_hp/e32119372.pdf

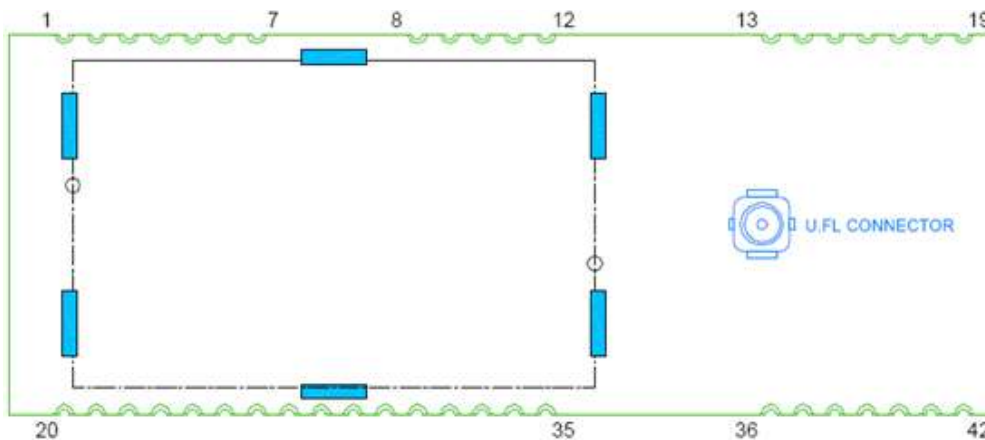


Figure 5: External Antenna Module

10.3 Power Supply Considerations

The power supply for the module has to be a single voltage source of Vcc within the range of 3.3 V to 7.0 V. It must be able to provide sufficient current in a transmit burst. This can rise to 65 mA.

10.4 Power-On-Reset

The module is provided with an active low reset pin. Upon the application of power, the Power On Reset circuit built into the module ensures that the unit starts correctly. The internal reset circuit is triggered when the input voltage to the module drops below ~1.7 V and is hence only suitable for providing a power on reset signal. If the supply voltage to the module can drop below the minimum voltage level in normal operation, then Laird recommends that you provide an external brownout circuit to assert the module reset and to ensure that the module is reset when the module supply voltage drops below 3.1 V.

10.5 RF Shield

To meet FCC requirements and to facilitate IR soldering, all modules are supplied with a soldered RF shield. This meets the requirement that users may not be able to access RF circuitry without special tools. Removal of the shield may negate RF approvals.

10.6 Mounting the Module onto the application platform

The antenna (Brown square component on top side of PCB) is designed to minimize detuning effects from nearby components and metalwork. However, it is good design practice to ensure that other active circuitry is kept away from the antenna.

The proximity of the antenna to large metallic objects can affect the range and performance of the system. Designers should carefully consider the location of the module and the type of enclosure material that is used.

No tracks should be present on the top layer of the board on which the module is soldered, as these may cause inadvertent connections to test pads. The following are the guidelines for the process of soldering the module into an application.

- Ramp @ $1.7^{\circ}\text{C}/\text{sec}$. to 135-160°C.
- Slow ramp to 150-190°C over 60-90 seconds.
- Ramp @ $2^{\circ}\text{C}/\text{sec}$. to 232-250°C peak temp. Time above 221°C = 35-90 seconds.
- Ramp down to room temperature, minimum at 2°C per second.
- Solder type: SAC387 (95.5%Sn/3.8%Ag/0.7%Cu).

The recommended land pattern for the mother PCB is detailed in [Figure 6](#).

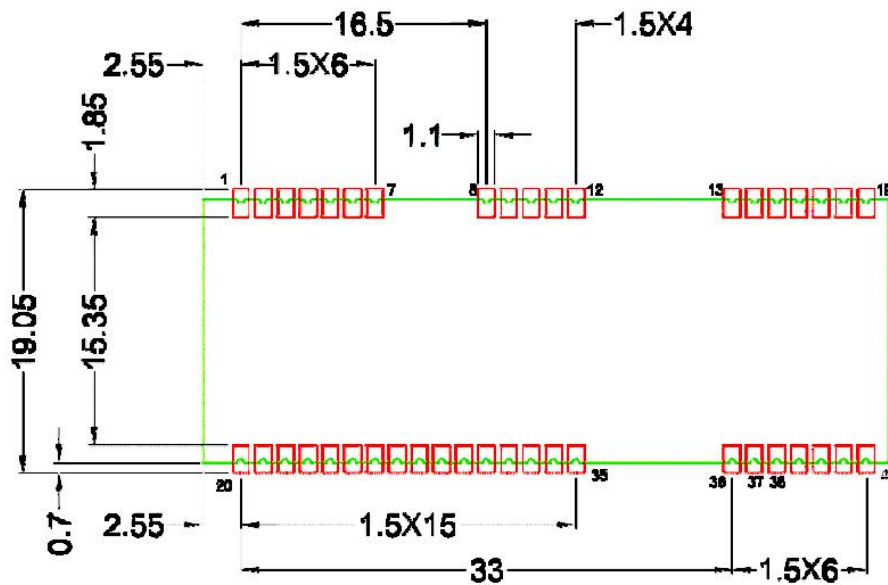


Figure 6: Land Pattern

Note: The motherboard should have no copper, solder resist or tracks beneath the module on the pad layer. N/C Pins should have no electrical connection, including to other N/C pins, but be mechanical pads only.

11 QUALIFICATION

11.1 Bluetooth Qualification Process

The following safety precautions must be observed during all phases of the operation, usage, service or repair of any application incorporating this module. Manufacturers of the RF equipment are advised to convey the following safety information to users and operating personnel and to incorporate these guidelines into all manuals supplied with the product. Failure to comply with these precautions violates safety standards of design, manufacture and intended use of the product. Laird assumes no liability for customer failure to comply with these precautions.

11.2 Safety Information:

Switch off the Bluetooth device before boarding an aircraft. Make sure it cannot be switched on inadvertently. The operation of wireless appliances in an aircraft is forbidden by many airlines to prevent interference with communications systems. Applications that could result in use on aircraft should carry appropriate warnings.

11.3 Qualifications

11.3.1 RF approvals

The module is listed as a Bluetooth Product in terms of the Bluetooth SIG Program Reference Document (PRD). This means that it can be integrated into end products without further testing or approval listing. The manufacturer must state the Laird part number and product reference in his literature in order to meet the requirements of the Bluetooth and regulatory approvals.

A list of the countries where the module is approved will be provided by Laird as required. As a minimum the product is listed in Europe, Scandinavia and USA. Laird assumes no liability for customer failure to comply with national RF approvals.

11.3.1.1 Radio.

- EN 300 328 V1.5.1 (2004 – 08)
- EN 301 489 – 1 V1.4.1 (2002 – 08)
- EN 301 489 – 17 V1.2.1 (2002 – 08)

11.3.1.2 EMC Emissions.

- FCC15B Class B
- EN55022 Class B

11.3.1.3 EMC Immunity.


- EN55024 Class

11.3.1.4 Environmental.

- EN300 019-2-4 v2.2.2 (2003-2004)

11.4 Safety and Regulatory Statements

11.4.1 Europe – EU Declaration of Conformity

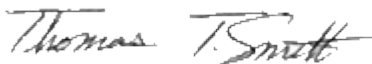
Manufacturer	Laird	
Products	BISMS02BI-xx, BISMS02BI-NA TRBLU24-00100-xx, TRBLU24-00100-NA	
Product Description	Bluetooth v2.0 Class 1 Module	
EU Directives	2014/53/EU – Radio Equipment Directive (RED)	

Reference standards used for presumption of conformity:

Article Number	Requirement	Reference standard(s)
3.1a	Low voltage equipment safety	EN 60950-1:2006 +A11:2009 +A1:2010 +A12:2011 +A2:2013
	RF Exposure	EN 62311:2008 EN 62479:2010
3.1b	Protection requirements with respect to electromagnetic compatibility	EN 301 489-1 v2.2.0 (2017-03) EN 301 489-17 v3.2.0 (2017-03)
3.2	Means of the efficient use of the radio frequency spectrum (ERM)	EN 300 328 v2.1.1 (2016-11)

Declaration:

We, Laird, declare under our sole responsibility that the essential radio test suites have been carried out and that the above product to which this declaration relates is in conformity with all the applicable essential requirements of Article 3 of the EU Radio Equipment Directive 2014/53/EU, when used for its intended purpose.

Place of Issue:	Laird W66N220 Commerce Court, Cedarburg, WI 53012 USA tel: +1-262-375-4400 fax: +1-262-364-2649
Date of Issue:	May 2017
Name of Authorized Person:	Thomas T Smith, Director of EMC Compliance
Signature of Authorized Person:	

11.4.2 FCC and Industry Canada Statements

This device complies with part 15 of the FCC Rules. Operation is subject to the following two conditions: (1) This device may not cause harmful interference, and (2) this device must accept any interference received, including interference that may cause undesired operation.

Changes or modifications not expressly approved by the party responsible for compliance could void the user's authority to operate the equipment.

To comply with the FCC RF exposure compliance requirements, this device and its antenna must not be co-located or operated in conjunction with any other antenna or transmitter.

11.4.2.1 FCC Labelling requirement

If the FCC ID is not visible when the module is installed inside another device, then the outside of the device into which the module is installed must also display a label referring to the enclosed module. This exterior label can use wording such as the following: "Contains Transmitter Module FCC ID: PI403B" or "Contains FCC ID: PI403B." Any similar wording that expresses the same meaning may be used.

12 ENVIRONMENTAL

12.1 Operating Temperatures

Parameter	Min	Typ	Max	Unit
Operating temp (standard product)	-40	25	+85	°C

12.2 Storage Temperatures

Parameter	Min	Max	Unit
Storage temp	-40	+125	°C

12.3 Reliability

Table 7: Reliability testing data

Parameter	Test	Comment
Thermal Shock	200 cycles -40° C /+85° C 30 min	1 cycle/hour
Vibration	Continuous operation at 60 Hz, 2 mm stroke	15g max sine wave, 12 hours
Shock	50G 11 ms Half Sine Wave	6 axis x 3 cycles each axis
Moisture Resistance		
High Temp Storage	125° C, 360 hours	
Low Temp Storage	-40° C, 240 hours	
High Temp/Humidity Operation	60° C, 90% RH, 360 hours	
Thermal shock	-40 to 60° C in 30min	200 cycles with continuous operation
Electro Static Discharge	EN55024:1998 & IEC61000-4-3	
Drop Test	75 cm to concrete 3 axis x 2 cycles per corner	

13 PHYSICAL DIMENSIONS (ALL DIMENSIONS IN MM)

13.1 Top View

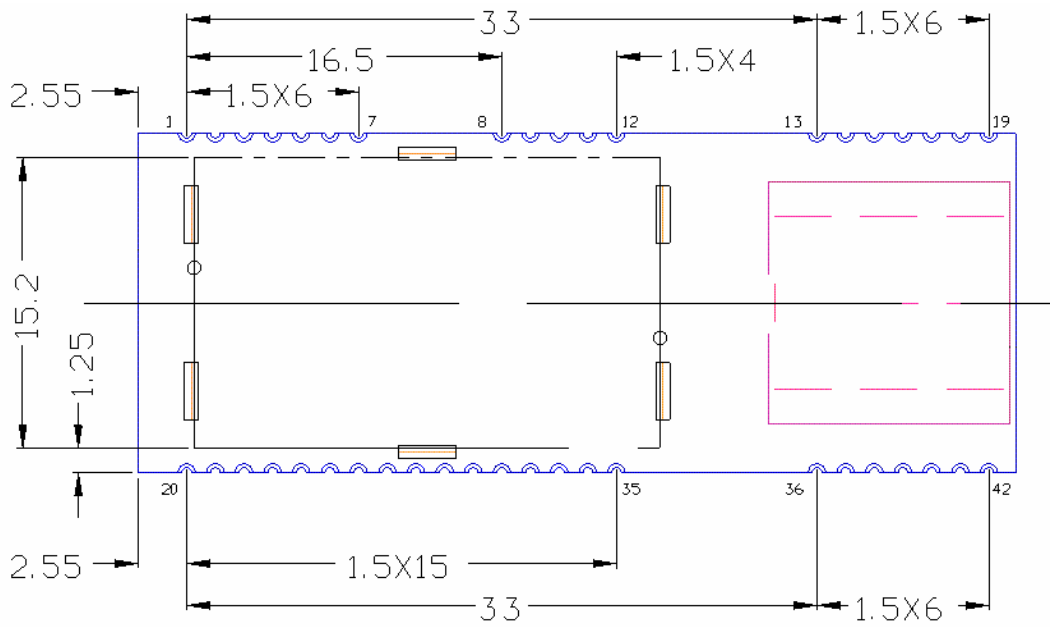


Figure 7: BISMS02BI Top View

13.2 Bottom View

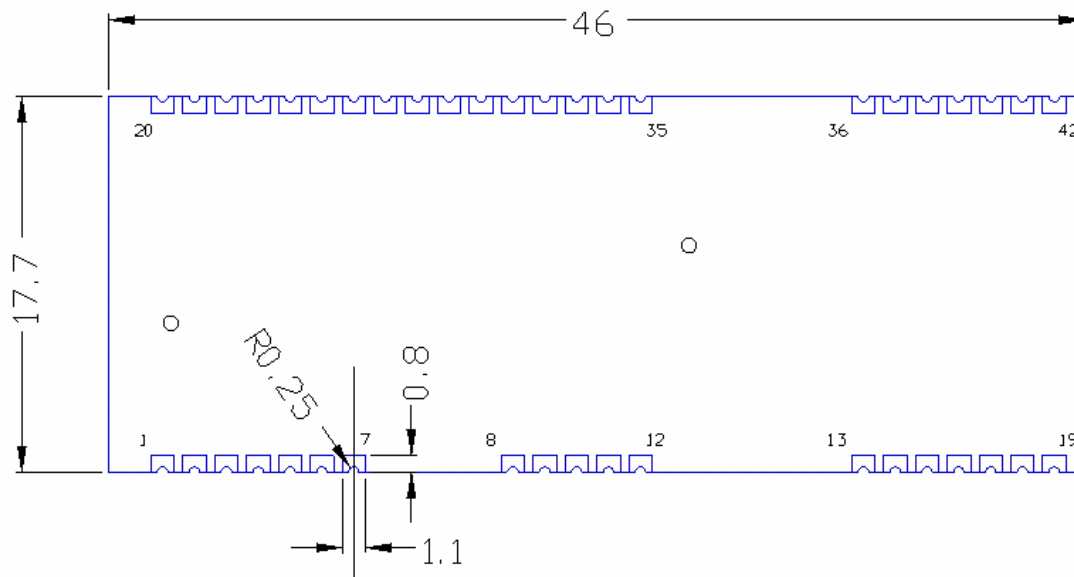


Figure 8: BISMS02BI Bottom View

13.3 Side View

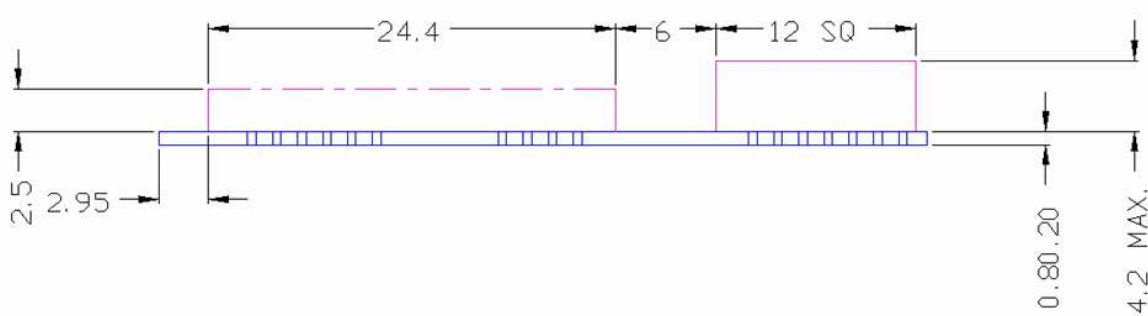


Figure 9: BISMS02BI Side View

13.4 Ordering Information

The Embedded Intelligent Bluetooth Serial Module is supplied with the Laird AT firmware. Variations in firmware occur during the life of the product. Ordering information is provided below:

Part Number	Description
BISMS02BI-01	Embedded Module with integrated ceramic antenna and standard AT firmware
BISMS02BI-NA	Embedded Module with no antenna and standard AT firmware

14 RELATED DOCUMENTS

The firmware incorporated into the Embedded Intelligent Bluetooth Module is the same as that for the BISM2 Module. The firmware documentation and application data for the BISM2 module can be used for this module. The following can be accessed from the BISM2 page at <http://www.lairdtech.com/products/bisms02bi>:

- BISMS02BI / BISMS02BI-NA Product Brief
- BISM2 AT Command Set Manual
- BISM2 AT Firmware Release Notes for Version 11.28.1.0

15 DISCLAIMERS

LAIRD'S BLUETOOTH PRODUCTS ARE NOT AUTHORISED FOR USE AS CRITICAL COMPONENTS IN LIFE SUPPORT DEVICES OR SYSTEMS WITHOUT THE EXPRESS WRITTEN APPROVAL OF THE MANAGING DIRECTOR OF LAIRD TECHNOLOGIES.

The definitions used herein are:

- a) Life support devices or systems are devices which (1) are intended for surgical implant into the body, or (2) support or sustain life and whose failure to perform when properly used in accordance with the instructions for use provided in the labelling can reasonably be expected to result in a significant injury to the user.
- b) A critical component is any component of a life support device or system whose failure to perform can be reasonably expected to cause the failure of the life support device or system, or to affect its safety or effectiveness.

Laird does not assume responsibility for use of any of the circuitry described, no circuit patent licenses are implied and Laird reserves the right at any time to change without notice said circuitry and specifications.

15.1 Data Sheet Status

This data sheet contains data from the Preliminary specification. Supplementary data will be published at a later date. Laird reserves the right to change the specification without notice in order to improve the design and supply the best possible product.

Please check with Laird for the most recent data before initiating or completing a design.

15.2 Warranty

Laird warrants that its products shall conform to Laird's published specifications and remain free from defects in materials and workmanship under normal, proper and intended use for a period of two (2) years from date of purchase, provided that proof of purchase be furnished with any returned equipment.

If during the warranty period any component part of the equipment becomes defective by reason of material or workmanship, and Laird is immediately notified of such defect, Laird shall at its option supply a replacement part or request return of equipment, freight prepaid, to its designated facility for repair. In the event no trouble is found on products returned for repair, Laird reserves the right to charge the customer its standard published repair charge.

This warranty shall not apply to any products that have been subject to misuse, bending, twisting, neglect, alteration, improper installation, testing or unauthorized repair performed by anyone other than a Laird-designated repair facility. Any non-warranty repairs or maintenance shall be at Laird's standard rates in effect at the time.

This warranty is in lieu of all other warranties, whether expressed, implied, or statutory, including but not limited to, implied warranties or merchantability and fitness for a particular purpose. In no event shall Laird be liable, whether in contract, in part, or on any other basis, for any damage sustained by its customers or any other person arising from or related to loss of use, failure or interruption in the operation of any products, or delay in maintenance, or for incidental, consequential, in direct, or special damages or liabilities, or for loss of revenue, loss of business, or other financial loss arising out of or in connection with the sale, lease, maintenance, use, performance, failure, or interruption of these products.