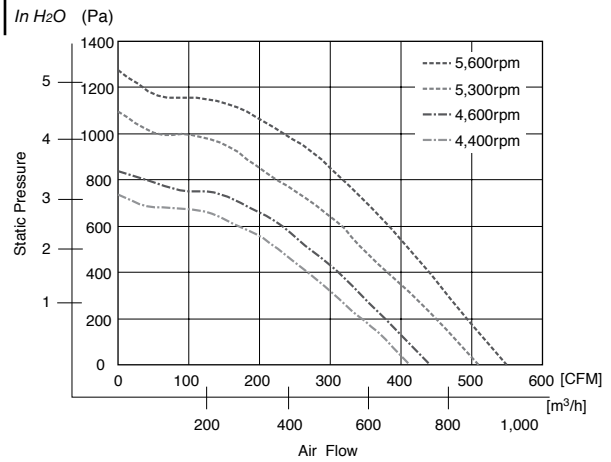




Characteristic Curves



General Specifications

Motor Protection:

Locked Rotor, Reverse Polarity

Insulation Resistance:

10M Ω min measured with 500V DC between all leads shorted together and case

Dielectric Withstand Voltage: AC 700V 1 minute

Allowable Ambient Temperature Range:

-30°C ~ +70°C (Operating)
-40°C ~ +80°C (Storage)

Expected Life

Failure Rate: 10%

40°C 70,000 Hours (L10)

Material

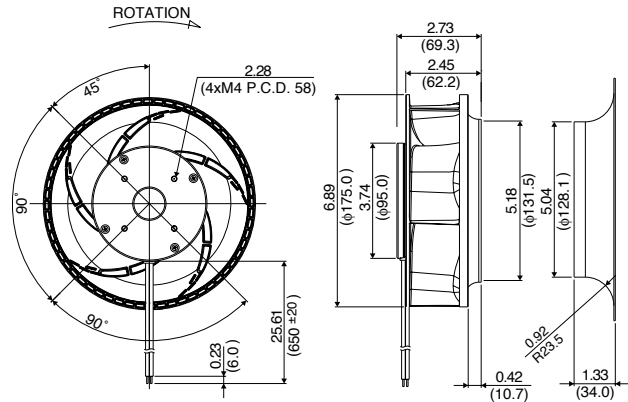
Impeller : Plastic

Bearing : Ball Bearing

Lead Wire : UL1015, AWG18, +Red, -Black,
Speed Control = Yellow,
Speed Signal = White

Outline

Units: $\frac{\text{inch}}{\text{mm}}$



Specifications

MODEL	Rated Voltage	Operating Voltage	Current	Input Power	Speed	Max. Air Flow		Max. Static Pressure		Noise	Mass
	(V)	(V)	(A) ^{*1}	(W) ^{*1}	(min ⁻¹) ^{*1}	CFM ^{*1}	(m ³ /min) ^{*1}	in H ₂ O	(Pa) ^{*1}	(dB) ^{*1}	(g)
F175A1-062-D0750	48	30 ~ 72	2.45	117.6	5600	551	15.60	5.11	1275	78	1000
F175A2-062-D0740	48	30 ~ 72	1.35	64.8	4600	442	12.52	3.36	839	73	1000
F175A3-062-D0550	24	18 ~ 30	3.85	92.4	5300	505	14.30	4.26	1064	77	1000
F175A4-062-D0540	24	18 ~ 30	2.40	57.6	4400	413	11.69	2.95	738	72	1000

Rotation: Clockwise

*1: Average Values in Free Air and Rated Voltage Condition