

THIS DRAWING IS UNPUBLISHED.

RELEASED FOR PUBLICATION

© COPYRIGHT - TE Connectivity Ltd.

ALL RIGHTS RESERVED.

REVISIONS

P	LTR	DESCRIPTION	DATE	DWN	APVD
P		CUTTING BURR DETAILS ADDED	20NOV2018	RK	PS

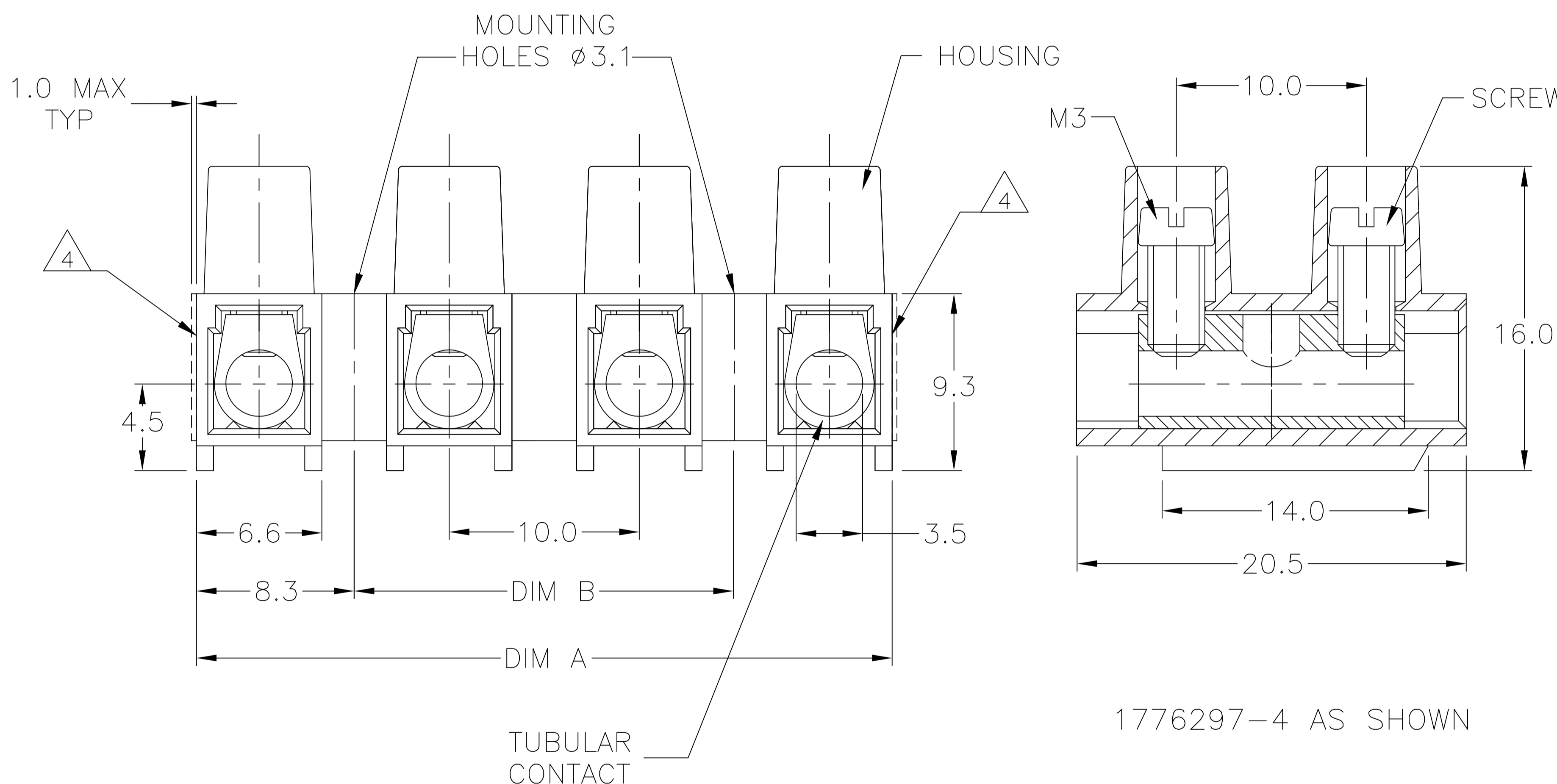
- MATERIAL:
HOUSING: POLYAMIDE 6, UL94V-2.
COLOR: NATURAL (OFF WHITE)
CONTACT: BRASS, TIN PLATED.
SCREW: M3, STEEL, ZINC PLATED W/ NON-HEXAVALENT CHROMATE (CHROME III).

- ELECTRICAL:
CURRENT RATING: 30A.
OPERATING VOLTAGE: 250V.
WIRE RANGE: 10-22 AWG.
DIELECTRIC WITHSTAND: 3500V.

- ENVIRONMENT:
CONTINUOUS WORKING TEMP.: -35°C TO +100°C

4 CUTTING PROJECTION CAN BE ON BOTH SIDES DEPENDING ON CUTTING LOCATION

- CUTTING BURR MAX. 1mm ALLOWED.



100.0	116.6	12	TSB500 1231	1-1776297-2
90.0	106.6	11	TSB500 1131	1-1776297-1
80.0	96.6	10	TSB500 1031	1-1776297-0
70.0	86.6	9	TSB500 0931	1776297-9
60.0	76.6	8	TSB500 0831	1776297-8
50.0	66.6	7	TSB500 0731	1776297-7
40.0	56.6	6	TSB500 0631	1776297-6
30.0	46.6	5	TSB500 0531	1776297-5
20.0	36.6	4	TSB500 0431	1776297-4
10.0	26.6	3	TSB500 0331	1776297-3
-	16.6	2	TSB500 0231	1776297-2
-	6.6	1	TSB500 0131	1776297-1
DIM B	DIM A	NO. OF POS.	CATALOG NUMBER	TE PART NUMBER

THIS DRAWING IS A CONTROLLED DOCUMENT.		DWN S SCHLEGEL 3/18/05	TE Connectivity Ltd.	
DIMENSIONS: mm		CHK C RICHARD 3/18/05		
TOLERANCES UNLESS OTHERWISE SPECIFIED:		APVD C RICHARD 3/18/05	NAME EUROPA TERMINAL BLOCK, 10.0mm PITCH, MOUNTING HOLES 3.1 DIA	
0 PLC ± - 1 PLC ± 0.3 2 PLC ± 0.25 3 PLC ± - 4 PLC ± - ANGLES ± 2'		PRODUCT SPEC		
MATERIAL SEE NOTES		FINISH SEE NOTES	APPLICATION SPEC	
		WEIGHT -	SIZE A3	CAGE CODE 00779
		CUSTOMER DRAWING		DRAWING NO C=1776297
		SCALE NTS	SHEET 1 of 1	RESTRICTED TO -
				REV P