

PROPRIETARY INFORMATION:

PROPRIETARY OF GLOBTEK, INC. ANY REPRODUCTION, DISCLOSURE OR USE OF THIS DRAWING, IN WHOLE OR IN PART, IS HEREBY PROHIBITED EXCEPT AS SPECIFIED IN WRITING BY GLOBTEK, INC.

REVISION HISTORY

| REV | DESCRIPTION | SALES | RFS | DATE | APPROVED |
|-----|---|-------|-------|------------|----------|
| A | Initial Release | SV | 27095 | 5/9/2018 | DR |
| B | Update charge current from 1C(Standard), 3C(Maximum) to 0.5C(Standard), 1C(Maximum); Update Max Continuous Discharge current from 5-6A to 2A; Update over charge protection from 4.00±0.05V to 3.65±0.025V; Update over discharge protection from 2.0±0.1V to 2.5±0.05V | SV | 27141 | 8/22/2018 | DR |
| C | Update packing information | NF | 27456 | 11/19/2019 | DR |
| D | Update Wire type from UL1007 to UL1571 | SV | 27489 | 1/15/2020 | DR |
| | | | | | |
| | | | | | |

See Page 2 for important battery warranty and usage information.

Foot Note:

Globtek Inc. will not be liable for the safety and performance of these power supplies if unauthorized access and repair occurs. End user should consult applicable UL, CSA or EN standards for proper installation instruction.

Limitation of Use:

Globtek product are not authorized for use as mission critical components in life support hazardous environment, nuclear or aircraft applications without prior written approval from the CEO of Globtek Inc.

Contents of this document are subject to change without prior notice

RELEASED
By pudxc at 9:45 am, Jan 16, 2020

 GlobTek, Inc.
www.globtek.com

186 Veterans Drive, Northvale, NJ 07467
Tel. 201-784-1000 Fax 201-784-0111

Drawing Title: LiFePO4 Battery Pack

3.2Volts @ 1200mAh

Model No.: 104046

Part No.: BX1200F1040461S1PC2N

Rev D

PROPRIETARY INFORMATION:

PROPRIETARY OF GLOBTEK, INC. ANY REPRODUCTION, DISCLOSURE OR USE OF THIS DRAWING, IN WHOLE OR IN PART, IS HEREBY PROHIBITED EXCEPT AS SPECIFIED IN WRITING BY GLOBTEK, INC.

By customer signing or accepting this document, they agree to acknowledge and accept the **Guidelines and cautions, Safety Notes, and Safety Precautions published on GlobTek's website** http://en.globtek.com/safety-cautions.php#.UUD-NRzU_I8

GlobTek offers a 5-year warranty on workmanship and electrical components assembly on all new battery pack products excluding the battery cells themselves which are covered by the Manufacturer's original warranty at their published warranty period. Please refer to the manufacturer's manufacturer's warranty policy for cells. For GlobTek brand cells, GlobTek provides a 12-month warranty for Li-Ion batteries. The warranty period is based upon the expectation that the battery will deliver 80% of its initial capacity after 300 cycles at low to moderate power loads. High power loads may cause a battery to reach 80% of initial capacity in less than the 12-month warranty period. Li-Ion batteries will continue to operate below the 80% capacity threshold; however, the capacity (run time) delivered between charges will continue to decrease.

The purchaser of this product (Customer) agrees that it is their sole responsibility to determine suitability of the product described for their application and to take precautions for protection against any hazards attendant to the handling and use of the product. Products sold are not returnable. GlobTek, Inc. will produce or provide its products to our published specifications. The purchaser of this product (Customer) shall be solely responsible for determining the products' fitness for use in their applications.

Customer Approval of Specification:

Please approve, sign and send back to GlobTek so we can complete order processing.

A delay in receipt of this form will delay delivery schedule.

Company Name:


Customer P/N:

Quote Number:

Date:

Authorized Representative Name:

Authorized Representative Signature:

 GlobTek, Inc.

www.globtek.com

186 Veterans Drive, Northvale, NJ 07467

Tel. 201-784-1000 Fax 201-784-0111

Drawing Title: LiFePO4 Battery

3.2 Volts @ 1200mAh

Model No.: 104046

Part No.: BX1200F1040461S1PC2N

Rev D

PROPRIETARY INFORMATION:

PROPRIETARY OF GLOBTEK, INC. ANY REPRODUCTION, DISCLOSURE OR USE OF THIS DRAWING, IN WHOLE OR IN PART, IS HEREBY PROHIBITED EXCEPT AS SPECIFIED IN WRITING BY GLOBTEK, INC.

1. GENERAL SPECIFICATION:

BATTERY WITH SAFETY CIRCUIT

| | |
|----------------|------------------|
| CELL: | 104046 |
| PCM: | GLOBTEK STANDARD |
| NTC: | N/A |
| ID: | N/A |
| Fuel Gauge | N/A |
| CONFIGURATION: | 1S1P |
| WEIGHT: | Approx. 39.0g |

2. ELECTRICAL SPECIFICATION:

| | |
|------------------------------------|--|
| RATED CAPACITY: | 1200mAh (Nominal) |
| NOMINAL VOLTAGE: | 3.2V |
| WATT-HOUR RATING: | 3.84Wh |
| CHARGING METHOD: | Constant Current & Constant Voltage |
| MAX. CHARGE VOLTAGE [V]: | 3.65V |
| CHARGE CURRENT: | 0.5C (Standard); 1C (Maximum) |
| REC. CHARGE CUT OFF: | 0.05A |
| MAX. CONTINUOUS DISCHARGE CURRENT: | 2A |
| REC. DISCHARGE CUT OFF: | 2.8V |
| INTERNAL IMPEDANCE: | ≤20mΩ |
| EXP. CYCLE LIFE: | >1000 cycles > 75% of initial capacity |

| | |
|---------------------------|-------------------|
| CELL PROTECTION: | |
| OVER CHARGE DETECTION: | 3.65 ±0.025V/Cell |
| OVER DISCHARGE DETECTION: | 2.5 ±0.05V/Cell |

3. AMBIENT CONDITIONS

| | |
|-------------------------------|------------------------|
| TEMPERATURE RANGE: | |
| CHARGE: | 0 to +45°C |
| DISCHARGE: | -10 to +45°C |
| CHARGE RETENTION/STORAGE [%]: | ≤1 year at -5 to +35°C |

| | |
|-----------|-----------|
| HUMIDITY: | 60 ±25%RH |
|-----------|-----------|

4. ENVIRONMENTAL AND SAFETY

PLEASE FOLLOW GlobTek, Inc. HANDLING AND SAFETY PRECAUTIONS FOR Lilon & LiPolymer.

5. CELL REGULATORY APPROVALS: Designed to meet UL1642

6. BATTERY PACK APPROVALS:

| | |
|-----------------|---|
| RoHS: | COMPLIES WITH EU 2002/95/EC AND CHINA SJ/T 11363-2006 |
| CE Mark: | COMPLIES WITH 2004/108/EC ELECTROMAGNETIC COMPATIBILITY INCLUDING BUT NOT LIMITED TO EN61000-6-1:2007, EN61000-6-3:2007 |
| TRANSPORTATION: | PACK DESIGNED TO MEET un38.3, IEC 62281 |
| Safety: | Designed to meet UL 2054, IEC61960:2003, IEC 62133, Japanese PSE Standards JIS C 8712:2006, JIS C 8714:2007 |

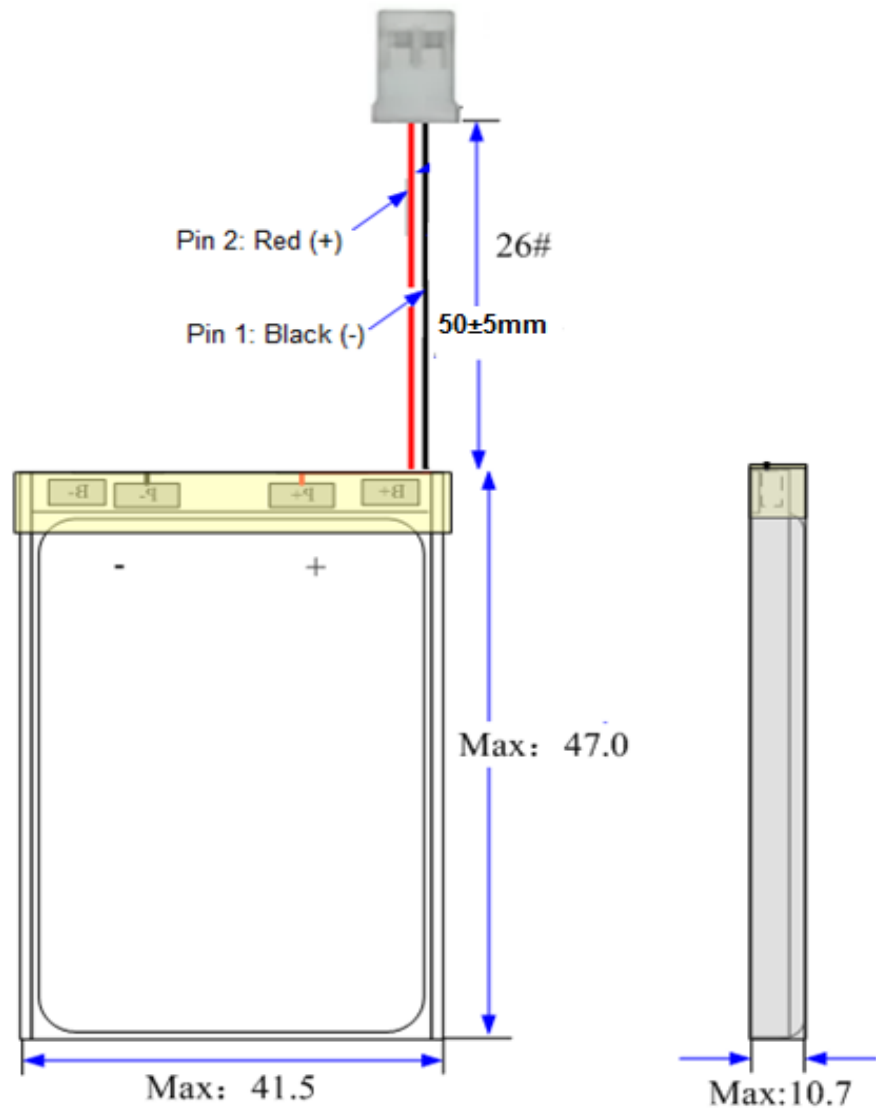


PROPRIETARY INFORMATION:

PROPRIETARY OF GLOBTEK, INC. ANY REPRODUCTION, DISCLOSURE OR USE OF THIS DRAWING, IN WHOLE OR IN PART, IS HEREBY PROHIBITED EXCEPT AS SPECIFIED IN WRITING BY GLOBTEK, INC.

7. MECHANICAL:

| | |
|-----------------------|----------------------------------|
| DIMENSIONS: | 47mm x 41.50 mm x 10.7 mm (Max.) |
| SHRINK WRAP: | PVC |
| WIRE TYPE: | UL1571 26AWG |
| WIRE LENGTH: | 50±5.0mm |
| WIRE POLARITY : Pin 1 | Black negative (-) |
| WIRE POLARITY : Pin 2 | Red positive (+) |



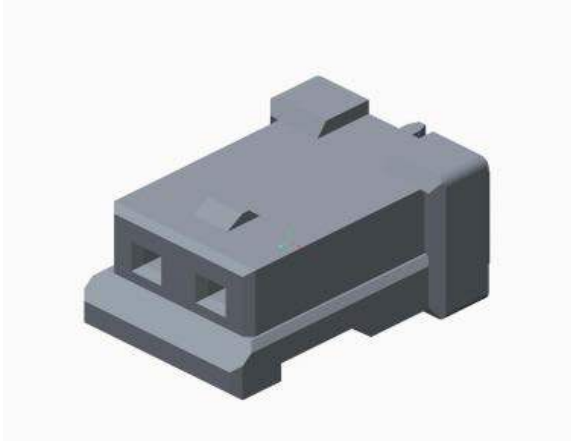
[ADDITIONAL OUTPUT PLUG OPTIONS ARE AVAILABLE BY CLICKING THIS LINK.](#)
[STANDARD PLUGS AND CONNECTORS CAN BE SEEN ONLINE BY CLICKING THIS LINK](#)

PROPRIETARY INFORMATION:

PROPRIETARY OF GLOBTEK, INC. ANY REPRODUCTION, DISCLOSURE OR USE OF THIS DRAWING, IN WHOLE OR IN PART, IS HEREBY PROHIBITED EXCEPT AS SPECIFIED IN WRITING BY GLOBTEK, INC.

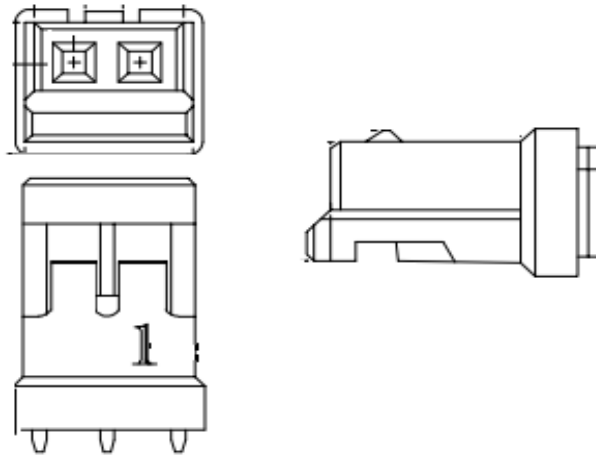
7.CONNECTOR:

ACTUAL CONNECTOR'S, OVERMOLDS, MAY VARY SLIGHTLY FROM THE PICTURE BELOW



| | EQUIVALENT | Y / N | |
|-----------|------------|-------|----------------------|
| PLUG TYPE | | Y | Molex P/N 0874390200 |
| TERMINALS | | Y | Molex P/N 087421000 |
| POLARITY | | | Pin 1: Black (-) |
| POLARITY | | | Pin 2: Red (+) |
| | | | |
| | | | |
| | | | |
| | | | |

[ADDITIONAL OUTPUT PLUG OPTIONS ARE AVAILABLE BY CLICKING THIS LINK.](#)
[STANDARD PLUGS AND CONNECTORS CAN BE SEEN ONLINE BY CLICKING THIS LINK](#)



Pin 1: Black (-)
Pin 2: Red (+)

PROPRIETARY INFORMATION:

PROPRIETARY OF GLOBTEK, INC. ANY REPRODUCTION, DISCLOSURE OR USE OF THIS DRAWING, IN WHOLE OR IN PART, IS HEREBY PROHIBITED EXCEPT AS SPECIFIED IN WRITING BY GLOBTEK, INC.

| | |
|--------------------------|-------|
| MATERIAL: | TBD |
| BACKGROUND COLOR: | WHITE |
| TEXT COLOR: | BLACK |
| LABEL WIDTH: (mm) | 60mm |
| LABEL HEIGHT: (mm) | 30mm |
| ADDITIONAL REQUIREMENTS: | N/A |
| ADDITIONAL REQUIREMENTS: | N/A |

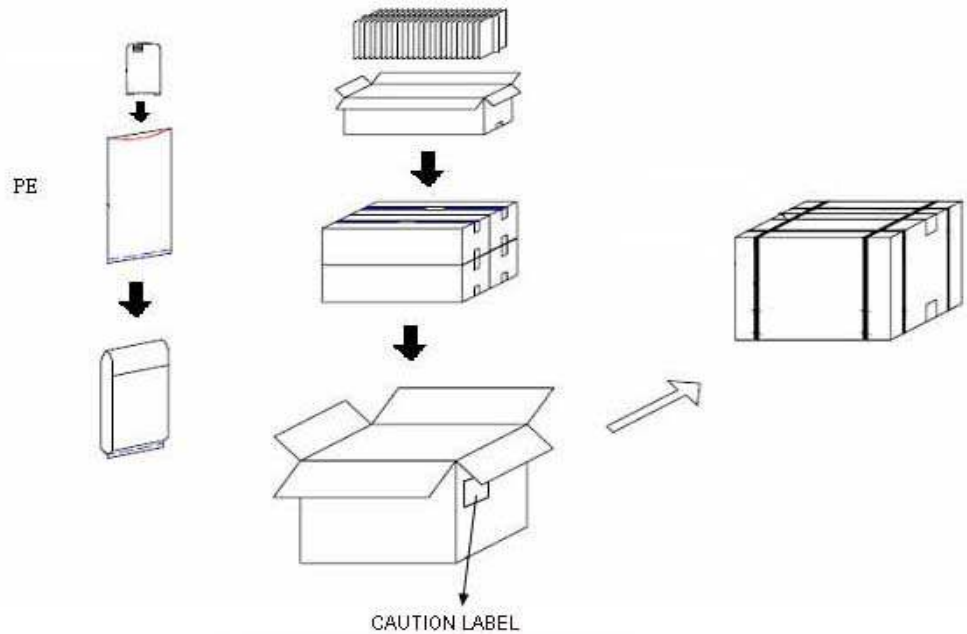


PROPRIETARY INFORMATION:

PROPRIETARY OF GLOBTEK, INC. ANY REPRODUCTION, DISCLOSURE OR USE OF THIS DRAWING, IN WHOLE OR IN PART, IS HEREBY PROHIBITED EXCEPT AS SPECIFIED IN WRITING BY GLOBTEK, INC.

9. PACKAGING:

| | |
|----------------------|----------------|
| PE BAG SIZE | 120*82 mm |
| GIFT BOX SIZE | 60*45*15 mm |
| CARTON SIZE: | 340*265*225 mm |
| QUANTITY PER CARTON: | 240 |
| G.W. | TBD |
| | |



GlobTek, Inc.

www.globtek.com

186 Veterans Drive, Northvale, NJ 07467

Tel. 201-784-1000 Fax 201-784-0111

Drawing Title: LiFePO4 Battery Pack

3.2Volts @ 1200mAh

Model No.: 104046

Part No.: BX1200F1040461S1PC2N

Rev D