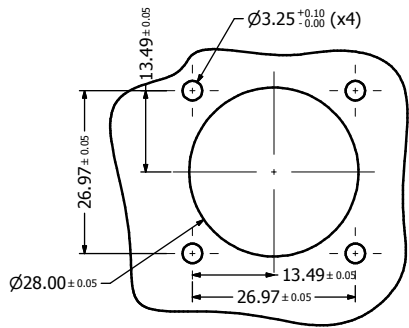
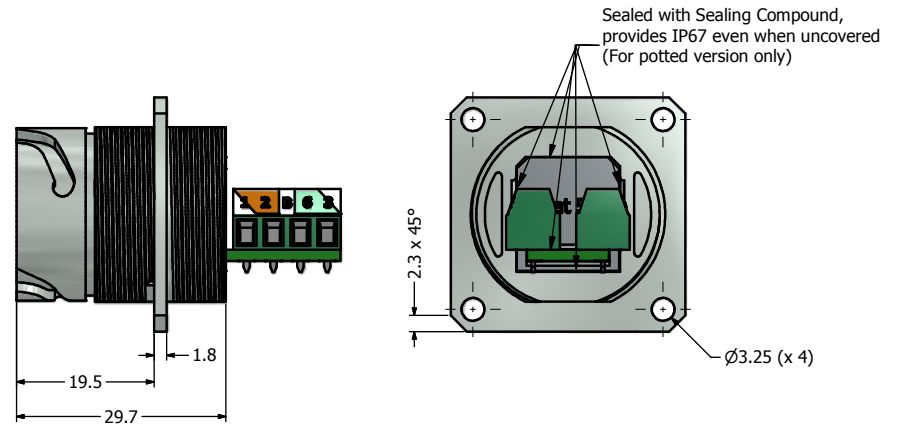
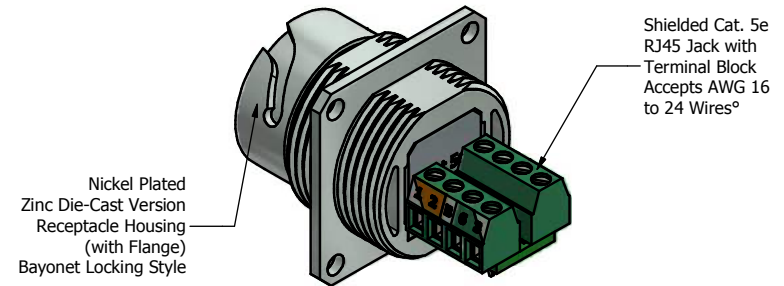
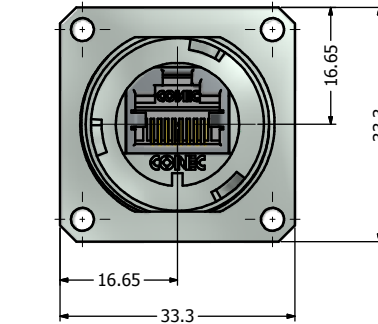
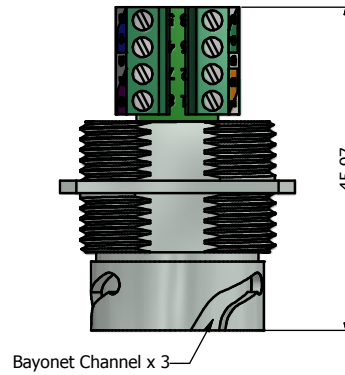


Recommended Double-D Panel Cutout



Recommended Round Panel Cutout



Notes:

1. Electrical Specifications:

- Meets EIA/TIA-568-B.2 Cat.5e Specification
- Contact Resistance: 20mOhm max.
- Insulation Resistance: 500MOhm min. @ 100 VDC
- Current Rating: 1.2A max. at 25°C
- Working Voltage: 100 VDC
- DWV: 1000 VDC/60s Contact to Contact, 1500 VDC/60s Contact to Metal Shell
- Operating Temperature: -40°C to +85°C

2. Material and Finish:

- Receptacle Housing (with Flange): Zinc Die-Cast, Nickel Plated
- Cat.5e RJ45 Jack Metal Shell: Copper Alloy, Nickel Plated
- Cat.5e RJ45 Jack Plastic Housing: Glass filled PBT UL94 V-0, Color: Black
- Cat.5e RJ45 Jack Contacts: Phosphor Bronze, Finish: 50u" Gold min. over Nickel
- PCB: FR-4
- Terminal Block Insulator: Polyamide, UL94 V-0 Rated
- Terminal: Brass, Tin Plated
- Gage Clamp: Brass, Tin Plated
- M2 Screw: Steel, Zinc Plated

3. Connector can be front or rear mounted to a maximum panel thickness of 3.2mm.
 4. Potted Version must be used, if IP67 required when not capped or mated

Directive 2002/95/EC RoHS Compliant

Description	Part Number
Nickel Plated Zinc Die-Cast with Shielded Cat5e RJ45 Jack with Terminal Block	17-111074
Potted Nickel Plated Zinc Die-Cast with Shielded Cat5e RJ45 Jack with Terminal Block	17-111084

Ⓢ Note: The panel gasket (P/N: 17-103540) and the M3 mounting hardware (P/N: 17-103530) must be ordered separately, the recommended mounting torque is 8 to 10 lb-inch

THIS DRAWING MAY NOT BE COPIED OR REPRODUCED IN ANY WAY AND MAY NOT BE PASSED ON TO A THIRD PARTY WITHOUT WRITTEN PERMISSION. OWNERSHIP AND COPYRIGHT OF CONEC CORPORATION.	Customer:		Tolerance Unless otherwise specified			Scale: NTS	Dim. in mm
	Name	Title	Approval Date	0 PLC ±0.50 1 PLC ±0.38 2 PLC ±0.25 3 PLC ±0.10 ANGLES ±.7		Autodesk Inventor	Material: See Notes
	Rev.	Changes	Date	Name	2012 Date Name Draw. Nov. 22 Vincent Ke Appd. Nov. 22 J. Chaudry	Jack Receptacle (with Flange) with Cat. 5e RJ45 Jack + Terminal Block Nickel Plated Zinc Die-Cast Version	
	b	1 x b	Mar/07/2013	Vincent Ke	Norm	Drawing No.: 17K1A379	DIN A3
a	original			D-old	Part No.: SEE TABLE ABOVE	Sheet 1/1	

