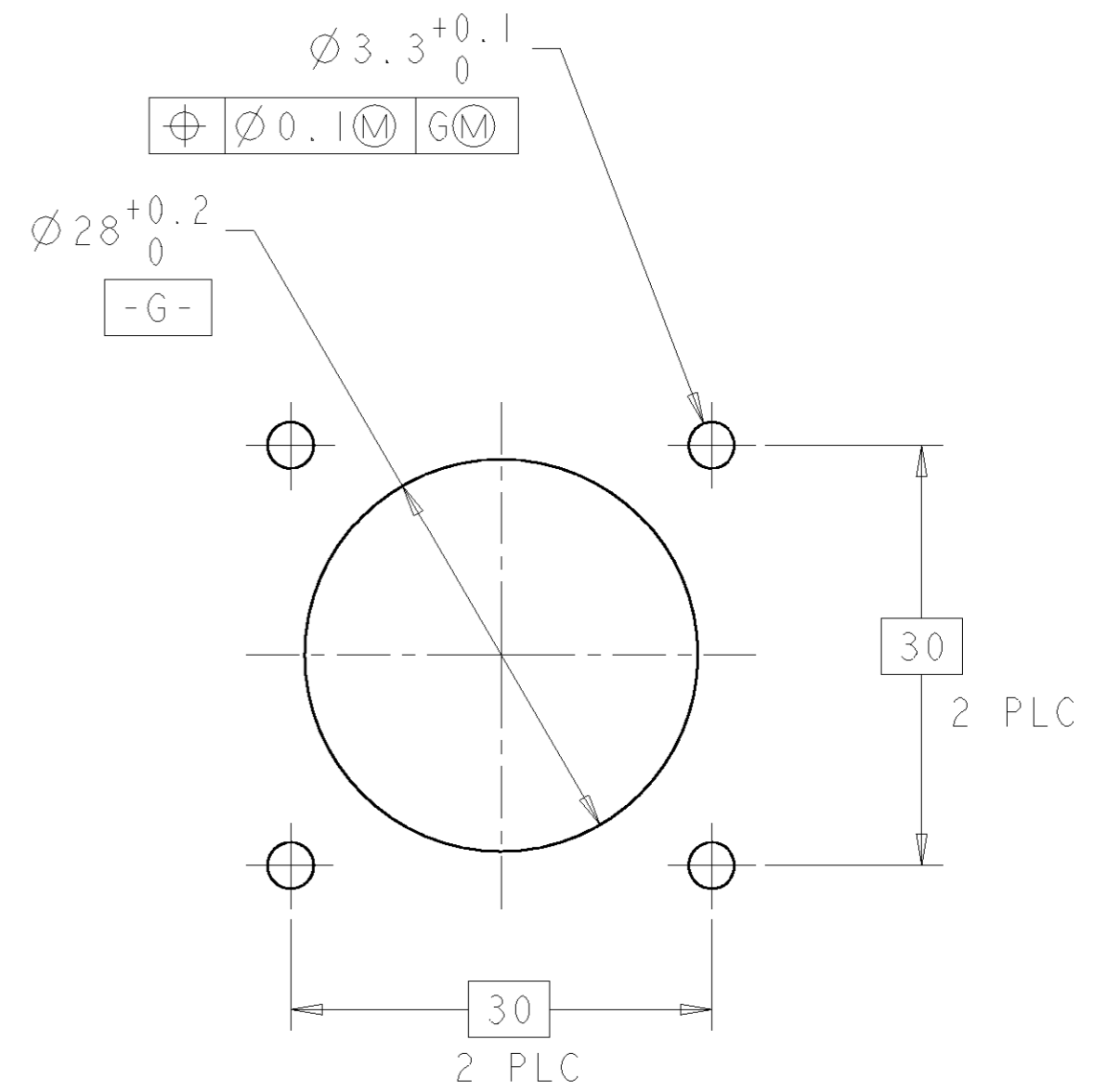
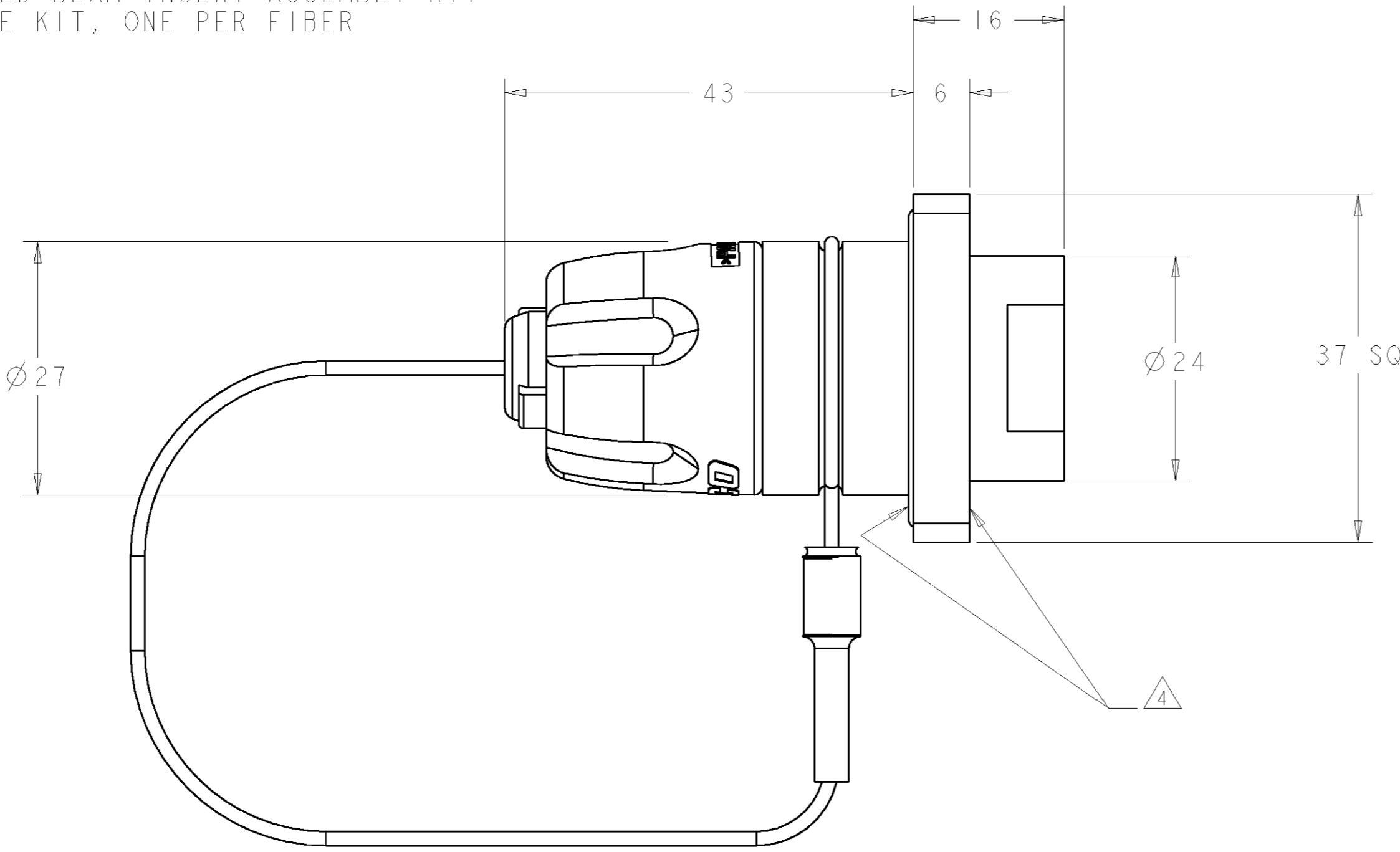


THIS DRAWING IS UNPUBLISHED. RELEASED FOR PUBLICATION 20  
 © COPYRIGHT 20 BY TYCO ELECTRONICS CORPORATION. ALL RIGHTS RESERVED.

LOC	DIST	REVISIONS					
		P	LTR	DESCRIPTION	DATE	DWN	APVD
CE	16		1	PPR 04-299	14APR04	KG	DW
			A	RELEASE PER 0A00-0332-04	07JUL04	KG	DW
			B	REVISE PER 0A00-0019-05	01MAR2005	KG	DW

1. ASSEMBLY SHOWN FOR REFERENCE ONLY. SHIPPED LOOSE PIECE AS SHOWN ON PAGE 2.
2. ALL ASSEMBLY DIMENSIONS ARE FOR REFERENCE ONLY.
3. PANEL THICKNESS: 6mm MAXIMUM.
4. CONNECTOR CAN BE INSTALLED AS FRONT-PANEL-MOUNT OR REAR-PANEL-MOUNT. INSTALL 30x2 O-RING IN APPROPRIATE SIDE OF FLANGE.
5. THIS PRODUCT HAS NOT COMPLETED VALIDATION TESTING.
6. COMPLETE THE CONNECTOR ASSEMBLY BY ADDING EACH OF THE FOLLOWING PRO BEAM JR KITS:
  - A. EXPANDED BEAM INSERT ASSEMBLY KIT
  - B. FERRULE KIT, ONE PER FIBER



3 4 RECOMMENDED PANEL CUT-OUT

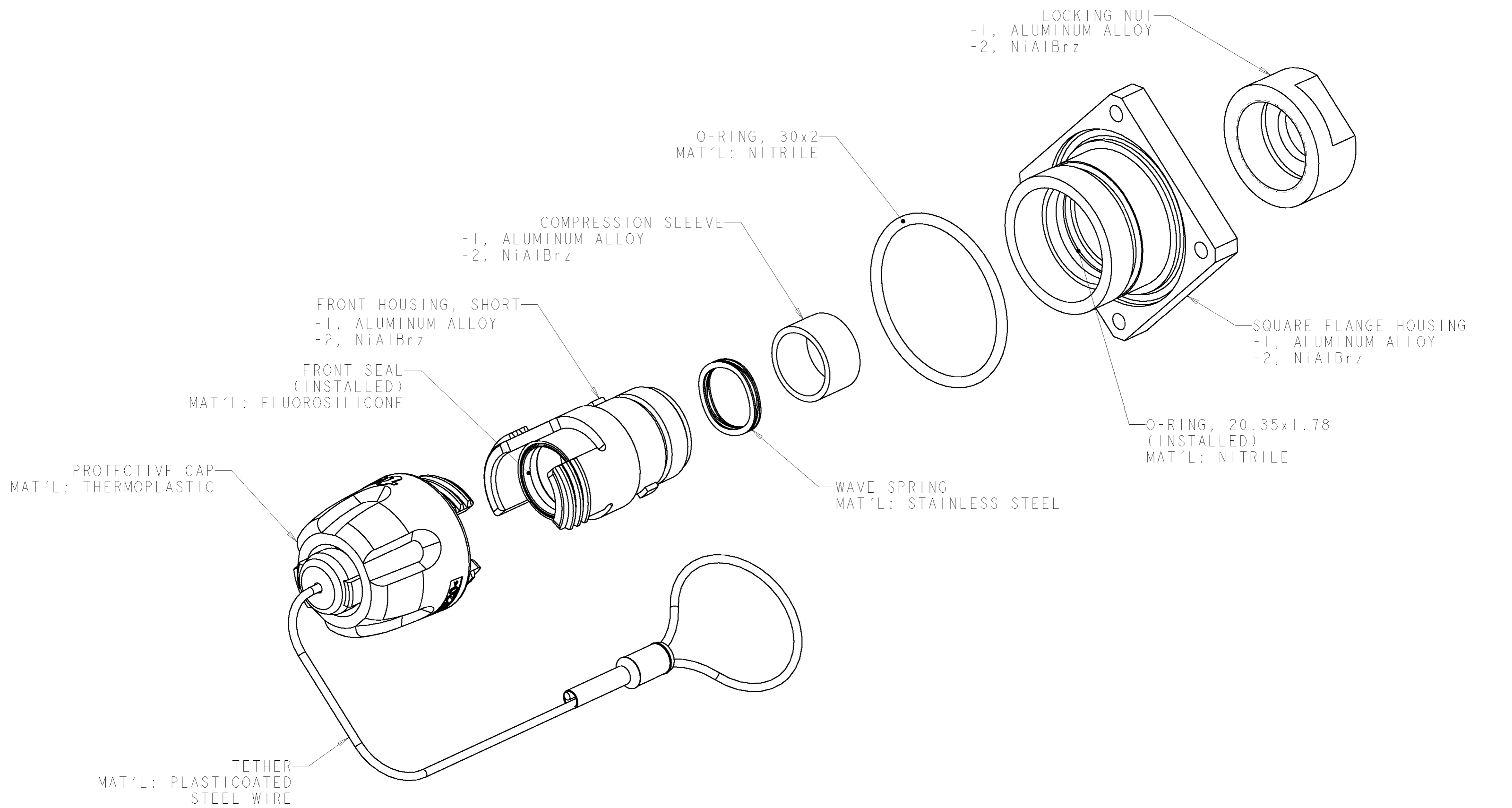
NICKEL ALUMINUM BRONZE	1754439-2
ALUMINUM	1754439-1
HOUSING ALLOY	PART NUMBER

THIS DRAWING IS A CONTROLLED DOCUMENT FOR TYCO ELECTRONICS CORPORATION. IT IS SUBJECT TO CHANGE AND THE CONTROLLING ENGINEERING ORGANIZATION SHOULD BE CONTACTED FOR THE LATEST REVISION.		DWN: 24MAR2004 K. GLATFELTER CHK: 13APR2004 D. WERTMAN APVD: 14APR2004 D. WERTMAN	Tyco Electronics Harrisburg, PA 17105-3608
DIMENSIONS: mm 	TOLERANCES UNLESS OTHERWISE SPECIFIED: 0 PLC ± 1 PLC ± 2 PLC ± 3 PLC ± 4 PLC ± ANGLES ± FINISH	NAME: CONNECTOR SHELL KIT, SQ-FLANGE LP BULKHEAD, PRO BEAM JR. PRODUCT SPEC: - APPLICATION SPEC: - WEIGHT: -	SIZE: A2 CAGE CODE: 00779 DRAWING NO: 1754439 RESTRICTED TO: -
MATERIAL: - HARD ANODIZE (AL ONLY)		CUSTOMER DRAWING	SCALE: 2:1 SHEET: 1 OF 2 REV: B

THIS DRAWING IS UNPUBLISHED. RELEASED FOR PUBLICATION 20  
 © COPYRIGHT 20 BY TYCO ELECTRONICS CORPORATION. ALL RIGHTS RESERVED.

LOC	DIST	REVISIONS					
		P	LTR	DESCRIPTION	DATE	DWN	APVD
CE	16	-		SEE SHEET 1	-	-	-

1. SHIPPED LOOSE PIECE AS SHOWN.



<small>THIS DRAWING IS A CONTROLLED DOCUMENT FOR TYCO ELECTRONICS CORPORATION          IT IS SUBJECT TO CHANGE AND THE CONTROLLING ENGINEERING ORGANIZATION          SHOULD BE CONTACTED FOR THE LATEST REVISION.</small>		DWN 24MAR2004 K. GLATFELTER CHK 13APR2004 D. WERTMAN APVD 14APR2004 D. WERTMAN	<b>tyco</b> Electronics Tyco Electronics Harrisburg, PA 17105-3608
DIMENSIONS: mm 	TOLERANCES UNLESS OTHERWISE SPECIFIED: 0 PLC ± 1 PLC ± 2 PLC ± 3 PLC ± 4 PLC ± ANGLES ±	PRODUCT SPEC APPLICATION SPEC WEIGHT	NAME CONNECTOR SHELL KIT, SQ-FLANGE LP BULKHEAD, PRO BEAM JR.
MATERIAL AS LISTED	FINISH HARD ANODIZE (A1 ONLY)	SCALE 2:1 SHEET 2 OF 2 REV B	SIZE A2 CAGE CODE 00779 DRAWING NO. 1754439 RESTRICTED TO