

292182-8 ✓ ACTIVE

## CT Hybrid Drawer

TE Internal #: 292182-8

Connector Assembly, Plug, Wire-to-Board, 12 Position, .079 in [2 mm] Centerline, Crimp/IDC, 2 Row, Black, Printed Circuit Board, CT Hybrid Drawer

[View on TE.com >](#)



Connectors > PCB Connectors > Wire-to-Board Connectors > Wire-to-Board Connector Assemblies & Housings



Connector Product Type: **Connector Assembly**

Connector & Housing Type: **Plug**

Connector System: **Wire-to-Board**

Number of Positions: **12**

Centerline (Pitch): **2 mm [ .079 in ]**

### Features

#### Product Type Features

Connector Product Type	Connector Assembly
Connector & Housing Type	Plug
Connector System	Wire-to-Board
Sealable	No
Connector & Contact Terminates To	Printed Circuit Board

#### Configuration Features

Number of Power Positions	4
Number of Signal Positions	8
Number of Positions	12
Number of Rows	2

#### Electrical Characteristics

Operating Voltage	250 V
-------------------	-------

#### Body Features

Drawer Style	Miniature Power
Primary Product Color	Black

#### Contact Features

Contact Retention Within Housing	With
----------------------------------	------



Contact Base Material	Copper Alloy
-----------------------	--------------

Contact Current Rating (Max)	15 A
------------------------------	------

### Termination Features

Termination Method to Wire & Cable	Crimp/IDC
------------------------------------	-----------

### Mechanical Attachment

Strain Relief	Without
---------------	---------

PCB Mount Alignment	With
---------------------	------

Panel Mount Feature	With
---------------------	------

PCB Mount Retention	With
---------------------	------

Panel Mount Feature Type	Mounting Ears
--------------------------	---------------

PCB Mount Retention Type	Mounting Ears
--------------------------	---------------

Mating Retention	Without
------------------	---------

Connector Mounting Type	Panel Mount
-------------------------	-------------

### Housing Features

Housing Material	Thermoplastic
------------------	---------------

Centerline (Pitch)	2 mm [.079 in]
--------------------	----------------

### Dimensions

Connector Length	55.98 mm [2.2 in]
------------------	-------------------

Connector Height	19 mm [.748 in]
------------------	-----------------

Connector Width	39.9 mm [1.57 in]
-----------------	-------------------

Row-to-Row Spacing	8.05 mm [.317 in]
--------------------	-------------------

### Usage Conditions

Operating Temperature Range	-30 – 105 °C [-22 – 221 °F]
-----------------------------	-----------------------------

### Operation/Application

Circuit Application	Power & Signal
---------------------	----------------

### Industry Standards

UL Flammability Rating	UL 94V-0
------------------------	----------

### Packaging Features

Packaging Quantity	50
--------------------	----

Packaging Method	Box & Tray, Tray
------------------	------------------

### Other



Discrete Wire Connector Comment Mating Connector - 292185-8

### Product Compliance

[For compliance documentation, visit the product page on TE.com>](#)

EU RoHS Directive 2011/65/EU	Compliant
EU ELV Directive 2000/53/EC	Compliant
China RoHS 2 Directive MIIT Order No 32, 2016	No Restricted Materials Above Threshold
EU REACH Regulation (EC) No. 1907/2006	Current ECHA Candidate List: JUNE 2023 (235) Candidate List Declared Against: JAN 2021 (211) Does not contain REACH SVHC
Halogen Content	Not Low Halogen - contains Br or Cl > 900 ppm.
Solder Process Capability	Not applicable for solder process capability

#### Product Compliance Disclaimer

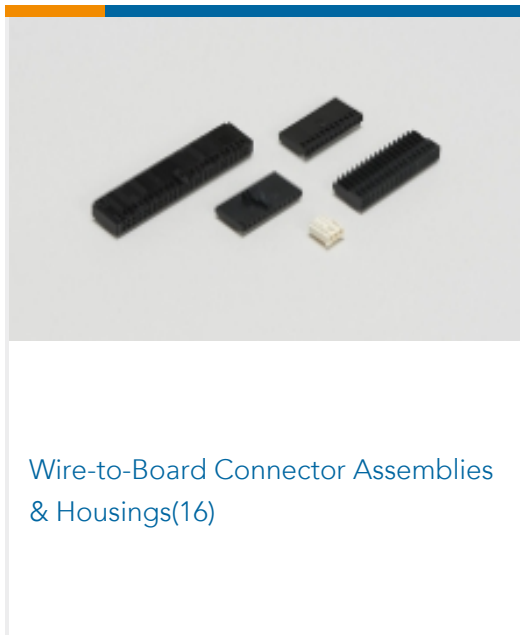
This information is provided based on reasonable inquiry of our suppliers and represents our current actual knowledge based on the information they provided. This information is subject to change. The part numbers that TE has identified as EU RoHS compliant have a maximum concentration of 0.1% by weight in homogenous materials for lead, hexavalent chromium, mercury, PBB, PBDE, DBP, BBP, DEHP, DIBP, and 0.01% for cadmium, or qualify for an exemption to these limits as defined in the Annexes of Directive 2011/65/EU (RoHS2). Finished electrical and electronic equipment products will be CE marked as required by Directive 2011/65/EU. Components may not be CE marked. Additionally, the part numbers that TE has identified as EU ELV compliant have a maximum concentration of 0.1% by weight in homogenous materials for lead, hexavalent chromium, and mercury, and 0.01% for cadmium, or qualify for an exemption to these limits as defined in the Annexes of Directive 2000/53/EC (ELV). Regarding the REACH Regulation, the information TE provides on SVHC in articles for this part number is based on the latest European Chemicals Agency (ECHA) 'Guidance on requirements for substances in articles' posted at this URL: <https://echa.europa.eu/guidance-documents/guidance-on-reach>

### Compatible Parts

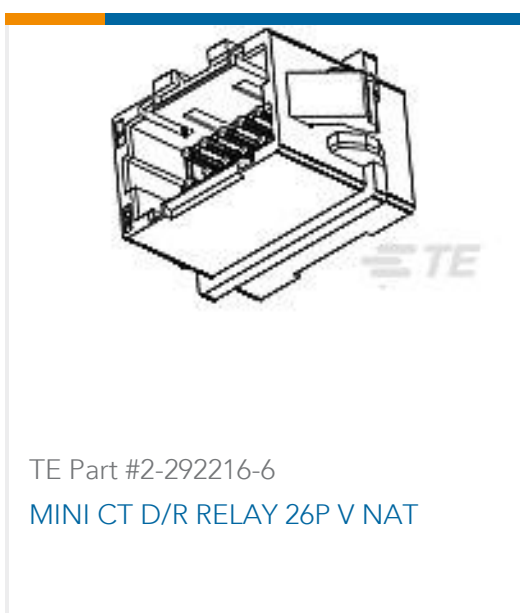
 <p>TE Part # CAT-AM7017-H8172 AMP COMMON TERMINATION HOUSINGS</p>	 <p>TE Part # 179321-3 HYBRID MINI DRAWER TAB CONT.#1</p>	 <p>TE Part # 1-179321-2 HYBRID MINI DRWER TAB CONT.</p>	 <p>TE Part # 292185-8 REC ASS'Y OF HYB DRAWER 12P</p>
---	---	---	---



## Also in the Series | CT Hybrid Drawer



## Customers Also Bought





## Documents

### Product Drawings

#### PLUG ASS'Y OF HYB DRAWER 12P

English

### CAD Files

#### 3D PDF

English

#### Customer View Model

##### ENG\_CVM\_292182-8\_A.2d\_dxf.zip

English

#### Customer View Model

##### ENG\_CVM\_292182-8\_A.3d\_igs.zip

English

#### Customer View Model

##### ENG\_CVM\_292182-8\_A.3d\_stp.zip

English

By downloading the CAD file I accept and agree to the [Terms and Conditions](#) of use.

### Datasheets & Catalog Pages

#### POWER\_CONNECTORS\_CATALOG\_SEC02\_CABLE\_MOUNTED

English

#### Low Power Drawer Connectors QRG

English

### Product Specifications

#### Application Specification

English

#### Crimping Hybrid Mini Drawer Connector Power Line Contact

English

#### Crimping Drawer Connector Power Line Contact

English

#### Crimping Drawer Connector Power Line Contact

Japanese

#### Application Specification

Japanese

#### Application Specification

English

### Product Environmental Compliance

#### TE Material Declaration

English