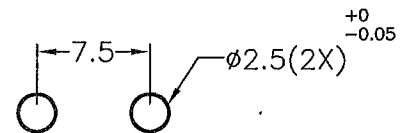
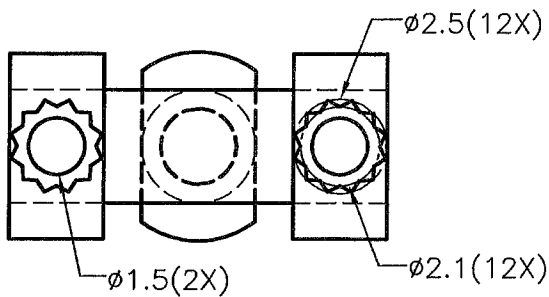
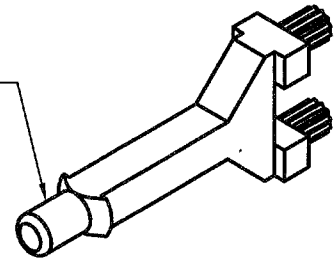
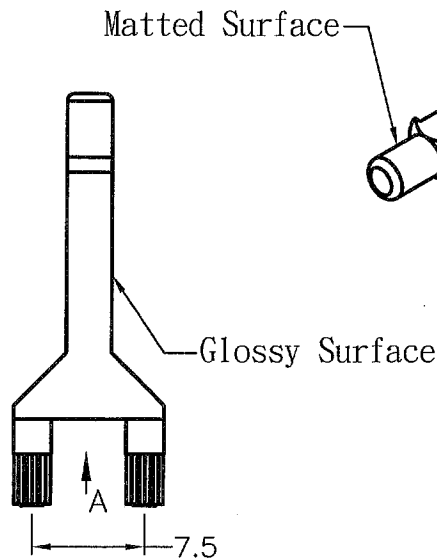
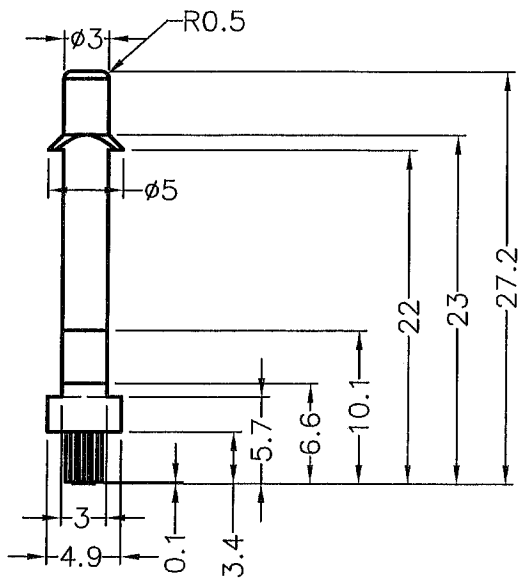


DIM.	TOL.
5mm DOWN	±0.2
5~20mm	±0.3
20~40mm	±0.4
40~60mm	±0.5
60~100mm	±0.8
100mm UP	±1.0

REVISIONS			
REV	DESCRIPTION	DATE	BY

**RoHS COMPLIANT**



MOUNTING HOLES

DETAIL A SCALE 5:1

QMFZ2 Component - Plastic. Monday, May 03, 2004 E50075  
 TEBJIN CHEMICALS LTD  
 HIBIYA DAIBIRU BLDG 2-2 UCHISAIWAI-CHO I-CHOME CHIYODA-KU TOKYO 100-0011 JAPAN  
 Material Designation: LN-2250(##)(f1)  
 Product Description: Polycarbonate (PC), designated "Panlite" furnished as pellets, powder.  

Color	Min. Thick. (mm)	Flame Class	HWI	HAI	RTI Elec	RTI Imp	RTI Str	IEC GWIT	IEC GWFI
ALL	0.43	V-2	-	-	80	80	80	-	-
	3	V-0	3	0	125	115	125	-	-
	6	V-0	3	0	125	115	125	-	-

 CTI: 3 IEC CTI: - HVTR: 3 D495: 6 IEC Ball Pressure (C): -  
 Dielectric Strength (kV/mm): - Volume Resistivity (10<sup>10</sup>ohm-cm): - Dimensional Stability(%): 0  
 ISO Tensile Strength (MPa): - ISO Flexural Strength (MPa): - ISO Heat Deflection (°C): -  
 ISO Tensile Impact (kJ/m<sup>2</sup>): - ISO Izod Impact (kJ/m<sup>2</sup>): - ISO Charpy Impact (kJ/m<sup>2</sup>): -  
 (##) May be suffixed with one or two letters except for a single letter U, V or Z or the letters U, V or Z followed by another letter.  
 (f1) Suitable for outdoor use with respect to exposure to Ultraviolet Light, Water Exposure and Immersion in accordance with UL 746C.

Report Date: 5/11/1989 Underwriters Laboratories Inc®  
 UL94 small-scale test data does not pertain to building materials, furnishings and related contents. UL 94 small-scale test data is intended solely for determining the flammability of plastic materials used in components and parts of end-product devices and appliances, where the acceptability of the combination is determined by ULI.

**K** 康揚企業股份有限公司  
 KANG YANG HARDWARE ENTERPRISE CO., LTD.  
 康揚塑膠(東莞)有限公司  
 KANG YANG PLASTIC(DONG GUAN) CO., LTD.  
 康哲電腦配件(吳江)有限公司  
 KANG CHE COMPUTER COMPONENTS(WUJIANG) CO., LTD.

TITLE	LIGHT PIPE	SPEC. DWG.
MATERIAL	PC	DATE 2009.05.04
FINISH		DRAWN EDWARD
COLOR	CLEAR	CHECK 
PART NUMBER LEM-69	DRAWING NUMBER LEM-69	APPROVED Kang
SIZE A4	SCALE 2:1	UNLESS OTHERWISE SPECIFIED TOLERANCE SEE ABOVE

PART NUMBER	DRAWING NUMBER
LEM-69	LEM-69
SIZE	SCALE
A4	2:1
UNIT	REV
mm	A