

4

3

2

1

THIS DRAWING IS UNPUBLISHED.

RELEASED FOR PUBLICATION

- , -

REVISIONS

© COPYRIGHT - TE Connectivity Ltd.

ALL RIGHTS RESERVED.

P	LTR	DESCRIPTION	DATE	DWN	APVD
	A3	CUTTING BURR DETAILS ADDED	19NOV2018	RK	PS

1. MATERIAL:
 HOUSING: POLYAMIDE 6 UL94V-0.
 COLOR: BROWN.
 TUBULAR CONTACT: BRASS, TIN PLATED.
 SCREW: M5, STEEL, ZINC PLATED W/ NON-HEXAVALENT CHROMATE (CHROME III).
 WIRE PROTECTOR: STAINLESS STEEL

2. ELECTRICAL:
 CURRENT RATING: 65A, 600V.
 WIRE RANGE: 6-14 UL AND 6-22 AWG FOR (CSA)


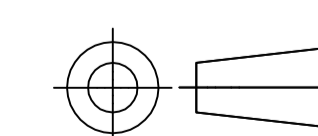
3. CONTINUOUS WORKING TEMP.: 150°C MAX.

4. CUTTING PROJECTION CAN BE ON BOTH SIDES DEPENDING ON CUTTING LOCATION.

5. CUTTING BURR MAX. 1mm ALLOWED.

145.0	170.7	TSB2000K12DSHT	1-1986469-2
130.5	156.2	TSB2000K11DSHT	1-1986469-1
116.0	141.7	TSB2000K10DSHT	1-1986469-0
101.5	127.2	TSB2000K09DSHT	1986469-9
87.0	112.7	TSB2000K08DSHT	1986469-8
72.5	98.2	TSB2000K07DSHT	1986469-7
58.0	83.7	TSB2000K06DSHT	1986469-6
43.5	69.2	TSB2000K05DSHT	1986469-5
29.0	54.7	TSB2000K04DSHT	1986469-4
14.5	40.2	TSB2000K03DSHT	1986469-3
-	25.7	TSB2000K02DSHT	1986469-2
-	11.2	TSB2000K01DSHT	1986469-1
DIM B	DIM A	CATALOG NUMBER	TE PART NUMBER

1986469-4 AS SHOWN

THIS DRAWING IS A CONTROLLED DOCUMENT.		DWN	S SCHLEGEL	9/17/08	 TE Connectivity Ltd.					
DIMENSIONS: mm		CHK	C RICHARD	9/17/08				NAME 14.5MM PITCH WIRE PROTECTOR 65A HIGH VOLTAGE VERSION, HIGH TEMP		
 0 PLC ± - 1 PLC ± 0.3 2 PLC ± 0.25 3 PLC ± - 4 PLC ± - ANGLES ± 2'		APVD	C RICHARD	9/17/08						
MATERIAL SEE NOTES		FINISH SEE NOTES		PRODUCT SPEC	A3 00779		©=1986469	-		
CUSTOMER DRAWING		SCALE		NTS	SHEET		1 OF 1	REV	A3	

1470-19 (1/15)