


CM 50-LG/H 12,5/BO BK

Order No.: 2943592

<http://eshop.phoenixcontact.de/phoenix/treeViewClick.do?UID=2943592>Electronic module, for PCB insertion, with a 12.5 mm tall covering
hood**Commercial data**

GTIN (EAN)	 4 017918 081195
sales group	F030
Pack	5 pcs.
Customs tariff	85369010
Catalog page information	Page 600 (CC-2009)

Product notesWEEE/RoHS-compliant since:
03/01/2005

<http://www.download.phoenixcontact.com>
Please note that the data given here has been taken from the online catalog. For comprehensive information and data, please refer to the user documentation. The General Terms and Conditions of Use apply to Internet downloads.

Technical data**General**

Housing type	Complete housing
Housing material	Polycarbonate fiber reinforced
Color	black

Dimensions / positions

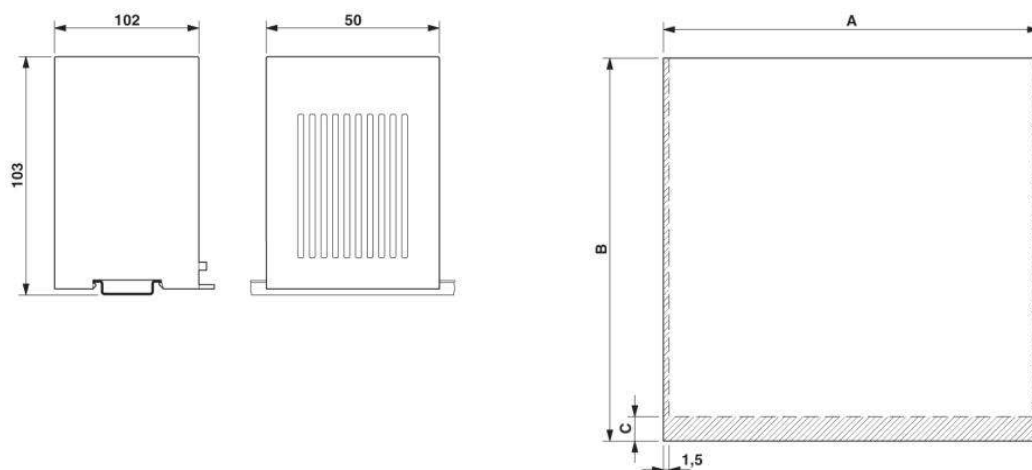
Length	102 mm
Width	50 mm

Technical data

Ambient temperature (operation)	-40 °C ... 125 °C
Inflammability class acc. to UL 94	V0
Power dissipation at 20°C in the horizontal mounting position	25 W 38.3 W

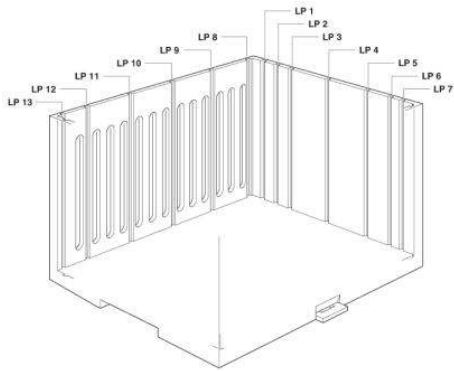
Diagrams/Drawings

Dimensioned drawing



PCB 1, 7: Dimension A: 47.5 mm; B: 102.0 mm; C: 6.5 mm
PCB 8, 13: Dimension A: 100.0 mm; B: 102.0 mm; C: 6.5 mm
PCB 10: Dimension A: 100.0 mm; B: 92.3 mm; C: 0 mm

Schematic diagram



Address

PHOENIX CONTACT Deutschland GmbH
Flachmarktstr. 8
32825 Blomberg, Germany
Phone +49 5235 3 12000
Fax +49 5235 3 41200
<http://www.phoenixcontact.de>



© 2011 Phoenix Contact
Technical modifications reserved;